

Catalog Number • Numéro de Catalogue • Número de Catálogo: MB-1

Country of Origin: Made in China • Pays d'origine: Fabriqué en Chine • País de origen: Hecho en China

DESCRIPTION

The MB-1 Sensor Bracket allows an occupancy sensor to be mounted in high-bay and industrial settings, such as a warehouse.

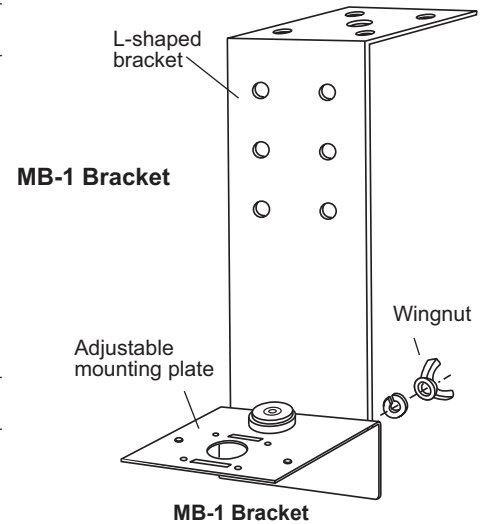
The MB-1 features an L-shaped bracket that can mount to a variety of structures, structure supports, and fluorescent fixtures.

The bracket has an adjustable mounting plate with wire holes and screw holes to allow use with many of the Wattstopper sensors. Mounting screws are provided for the Wattstopper CI and HB sensors.

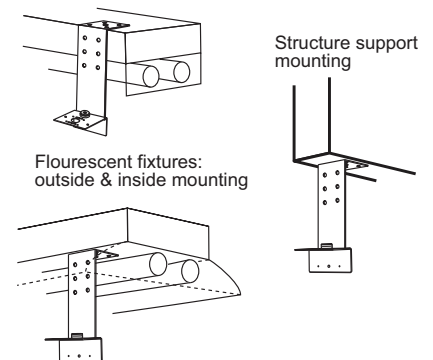
A bubble level on the mounting plate is used for initial leveling. Preset locking positions allow for precise angle adjustments, if any (horizontally, 33° from horizontal, and vertically, 12° from vertical). Refer to the Installation Instructions for the sensor used.

INSTALLATION

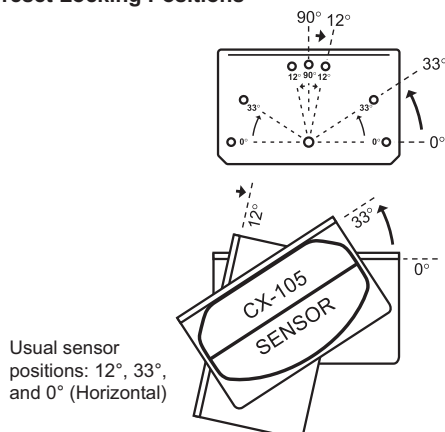
1. If using a **CX** sensor, remove the mounting post bracket by rotating clockwise.
2. Attach sensor to the mounting plate:
 - Thread the wires from the sensor through the appropriate holes in the mounting plate so that the wires will not be crimped or pinched when the sensor is attached.
 - **CX Sensors:** Line up the screw holes on the mounting plate with the dimples on the back of the sensor, and attach the sensor with the 1/4 inch self-tapping screws provided with the sensor (this avoids potential damage to the internal components).
 - **CI and HB Sensors:** Line up the screw holes on the MB-1 with the screw holes on the outside rim of the sensor, and attach the sensor with the provided long screws.
 - Sensors that use a **1/2 inch threaded post** for mounting: Insert the mounting post through the large hole in the mounting plate and secure it with the post's nut.
3. Adjust the mounting plate to the horizontal preset position (0°). Loosen the wingnut, adjust the plate, then re-tighten the wingnut.
4. Secure the MB-1's L-shaped bracket to the mounting location with appropriate screws. If mounting to a fluorescent fixture, **be careful not to screw or drill into the ballast.**
5. Use the bubble level and adjust the bracket by bending or using spacing washers (not supplied) as needed to level the bracket.
6. If a different preset locking angle for the sensor is desired (see the Installation Instructions for the sensor used), adjust the plate as in step 3 above.



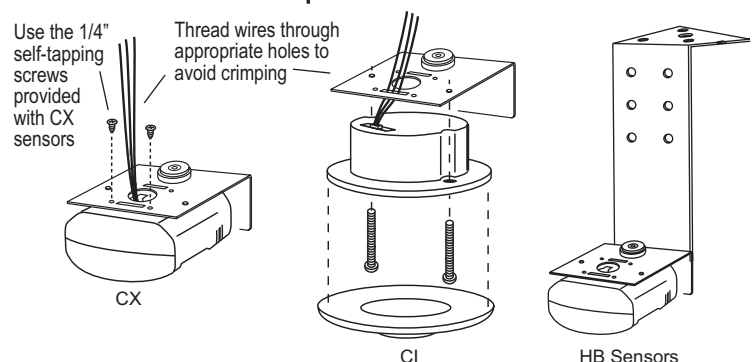
Mounting Location Examples



Mounting Plate Preset Locking Positions



Sensor Attachment Examples



WARRANTY INFORMATION

Wattstopper warrants its products to be free of defects in materials and workmanship for a period of five (5) years. There are no obligations or liabilities on the part of Wattstopper for consequential damages arising out of, or in connection with, the use or performance of this product or other indirect damages with respect to loss of property, revenue or profit, or cost of removal, installation or reinstallation.

INFORMATIONS RELATIVES À LA GARANTIE

Wattstopper garantit que ses produits sont exempts de défauts de matériaux et de fabrication pour une période de cinq (5) ans. Wattstopper ne peut être tenu responsable de tout dommage consécutif causé par ou lié à l'utilisation ou à la performance de ce produit ou tout autre dommage indirect lié à la perte de propriété, de revenus, ou de profits, ou aux coûts d'enlèvement, d'installation ou de réinstallation.

INFORMACIÓN DE LA GARANTÍA

Wattstopper garantiza que sus productos están libres de defectos en materiales y mano de obra por un período de cinco (5) años. No existen obligaciones ni responsabilidades por parte de Wattstopper por daños consecuentes que se deriven o estén relacionados con el uso o el rendimiento de este producto u otros daños indirectos con respecto a la pérdida de propiedad, renta o ganancias, o al costo de extracción, instalación o reinstalación.
