

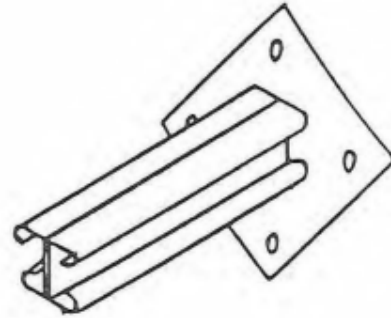


WILCOR GROUNDING SYSTEMS

STANDARD MOUNTING BRACKET

This bracket allows side mounting of one or several runs of conduit. This model comes with four mounting holes for added stability.

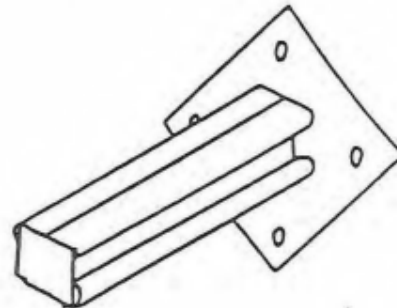
PART #	WT. #/EA	LENGTH
WA85DB	2.25	8.5"
WA10DB	2.5	10"
WA12DB	2.75	12"
WA15DB	3.25	15"
WA18DB	3.75	18"
WA24DB	4.75	24"



END MOUNTING BRACKET

This bracket allows side mounting, and mounting on the tip for several rises of conduit. This model comes with four mounting holes.

PART #	WT.#/EA	LENGTH
WA45DB-E	1.5	4.5"
WA65DB-E	1.75	6.5"
WA75DB-E	2.0	7.5"
WA10DB-E	2.5	10"
WA12DB-E	2.75	12"
WA15DB-E	3.5	15"



HORIZONTALLY STABLE BRACKET

The mount on this model is wider, providing additional lateral support. End mount models in this design are available.

PART #	WT.#/EA	LENGTH
WA85SB	3.0	8.5"
WA10SB	3.5	10"
WA12SB	3.75	12"
WA15SB	4.0	15"
WA18SB	4.5	18"
WA24SB	5.25	24"

