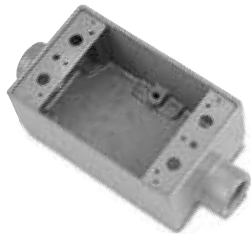


## Device Boxes and Covers

### Aluminum Device Boxes

#### Application

- Industrial-grade FS/FD device boxes and raintight covers protect wiring devices, switches, electronic components, and terminal blocks in dry, damp and wet locations.
- Spacious, accessible wiring chamber provides a convenient location to maintain or change a system, pull conductors and make splices
- Junction for branch conduits
- Aluminum boxes can be used with steel rigid conduit



AFS



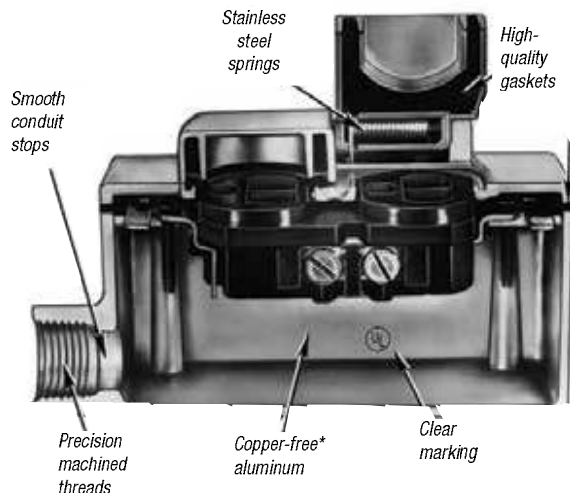
2AFSC



CWP-G



CDR



#### Features

- Copper-free\* aluminum, stainless steel cover springs and hinge pins provide increased corrosion resistance
- Die-cast construction, boxes with securely fastened mounting plates and industrial designed covers combine to produce a rugged protective enclosure for devices on industrial and OEM applications
- Clean cover edges provide good gasket sealing
- Precision NPT threaded hubs allow trouble-free field installation for rigid or IMC conduit
- Clear UL, CSA and cubic content markings speed approval by inspectors
- Boxes — external hub design provides increased wiring room
- Covers ship complete with gaskets and screws

#### Standard Materials

Die-cast aluminum alloy A360 with less than .004% copper content (copper-free)

Cover hinge pins and springs: Stainless steel

#### Standard Finish

Aluminum lacquer finish

#### Listings/Compliances

UL Listed

Boxes CSA Certified with factory-installed ground screw \*\*

Covers CSA Certified

Federal Spec. W-C-586

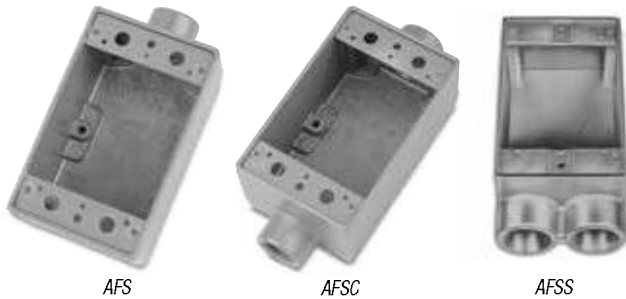
#### Sample Specifications

Industrial-grade FS/FD device boxes and covers shall be die-cast copper-free\* aluminum alloy A360. All conduit stops shall be coined and free of rough edges. Raintight covers shall have stainless steel springs and hinge pins and are suitable for use in wet locations with cover closed (CFSB, CFST and CFSTF suitable for wet locations). Industrial-grade FS/FD device boxes and covers shall be finished with aluminum lacquer. Industrial-grade FS/FD device boxes and covers shall be Thomas & Betts Catalog No. \_\_\_\_\_

\* Less than .004% copper content

\*\* Consult factory for lead time and minimum quantity

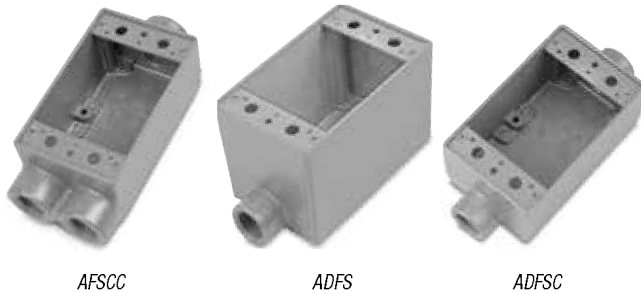
## Device Boxes and Covers



AFS

AFSC

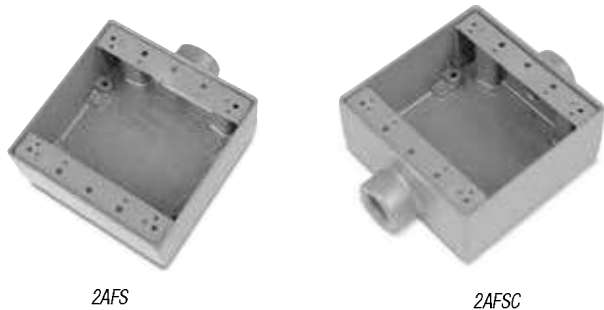
AFSS



AFSCC

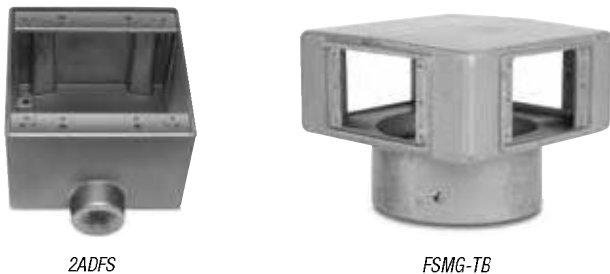
ADFS

ADFC



2AFS

2AFSC



2ADFS

FSMG-TB

### Single-Gang Boxes Raintight\*

| CAT. NO.                                  | HUB SIZE | UNIT QTY. | STD. PKG. | WT. LBS. PER 100 |
|---|----------|-----------|-----------|------------------|
| <b>Standard, 1-Hole Box, Dead End</b>     |          |           |           |                  |
| AFS-1*                                    | 1/2"     | 5         | 25        | 68               |
| AFS-2*                                    | 3/4"     | 5         | 25        | 74               |
| AFS-3*                                    | 1"       | 5         | 25        | 72               |
| <b>Standard, 2-Hole Box, Through Feed</b> |          |           |           |                  |
| AFSC-1*                                   | 1/2"     | 5         | 25        | 72               |
| AFSC-2*                                   | 3/4"     | 5         | 25        | 88               |
| AFSC-3*                                   | 1"       | 5         | 25        | 79               |
| <b>Standard, 2-Hole Box, Dead End</b>     |          |           |           |                  |
| AFSS-1*                                   | 1/2"     | 5         | 25        | 80               |
| AFSS-2*                                   | 3/4"     | 5         | 25        | 76               |
| <b>Standard, 3-Hole Box, Through Feed</b> |          |           |           |                  |
| AFSCC-1*                                  | 1/2"     | 5         | 25        | 88               |
| AFSCC-2*                                  | 3/4"     | 5         | 25        | 80               |
| <b>Deep, 1-Hole Box, Dead End</b>         |          |           |           |                  |
| ADFS-1*                                   | 1/2"     | —         | 5         | 74               |
| ADFS-2*                                   | 3/4"     | —         | 5         | 78               |
| ADFS-3*                                   | 1"       | —         | 5         | 80               |
| <b>Deep, 2-Hole Box, Through Feed</b>     |          |           |           |                  |
| ADFC-1*                                   | 1/2"     | —         | 5         | 76               |
| ADFC-2*                                   | 3/4"     | —         | 5         | 90               |
| ADFC-3*                                   | 1"       | —         | 5         | 90               |

\* Rain-tight when used with appropriate T&B covers.

### Double-Gang Boxes Raintight\*

| CAT. NO.                                  | HUB SIZE | UNIT QTY. | STD. PKG. | WT. LBS. PER 100 |
|---|----------|-----------|-----------|------------------|
| <b>Standard, 1-Hole Box, Dead End</b>     |          |           |           |                  |
| 2AFS-1*                                   | 1/2"     | 2         | 10        | 115              |
| 2AFS-2*                                   | 3/4"     | 2         | 10        | 95               |
| 2AFS-3*                                   | 1"       | 2         | 10        | 90               |
| <b>Standard, 2-Hole Box, Through Feed</b> |          |           |           |                  |
| 2AFSC-1*                                  | 1/2"     | 2         | 10        | 104              |
| 2AFSC-2*                                  | 3/4"     | 2         | 10        | 102              |
| <b>Deep, 1-Hole Box, Dead End</b>         |          |           |           |                  |
| 2ADFS-1*                                  | 1/2"     | —         | 3         | 128              |
| 2ADFS-2*                                  | 3/4"     | —         | 3         | 143              |

\* Rain-tight when used with appropriate T&B covers.

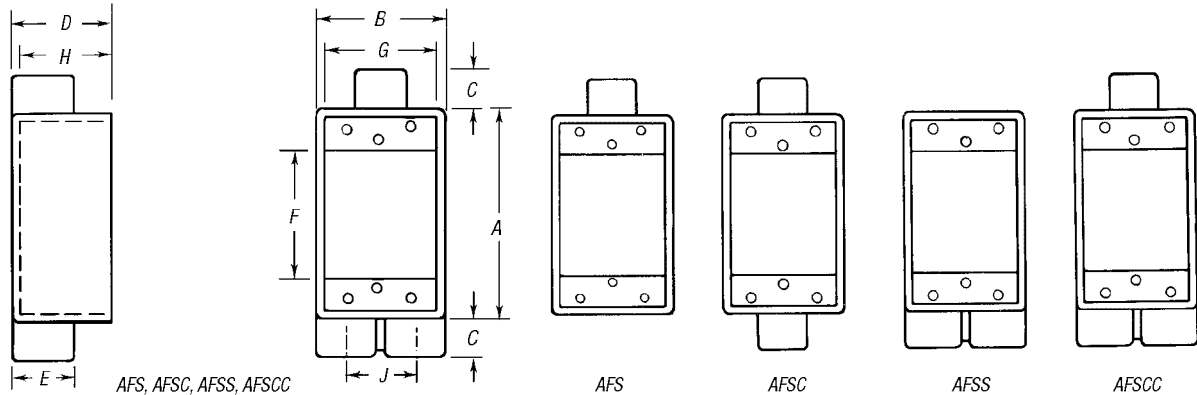
### Multi-Gang Boxes Raintight\*

| CAT. NO. | HUB SIZE              | UNIT QTY. | STD. PKG. | WT. LBS. PER 100 |
|----------|-----------------------|-----------|-----------|------------------|
| FSMG-TB  | 4" Threadless Conduit | —         | 1         | 242              |

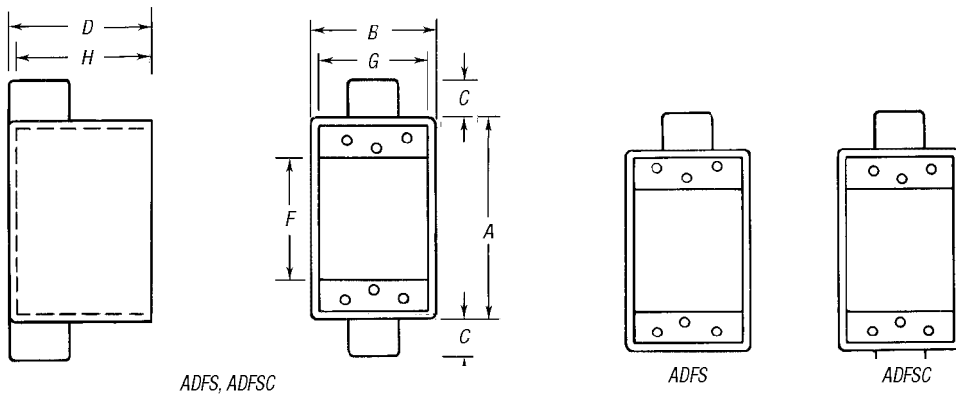
\* Rain-tight when used with appropriate T&B covers and gaskets.

## Device Boxes and Covers

### Dimensions and Cubic Inches (CI) for Single-Gang Boxes



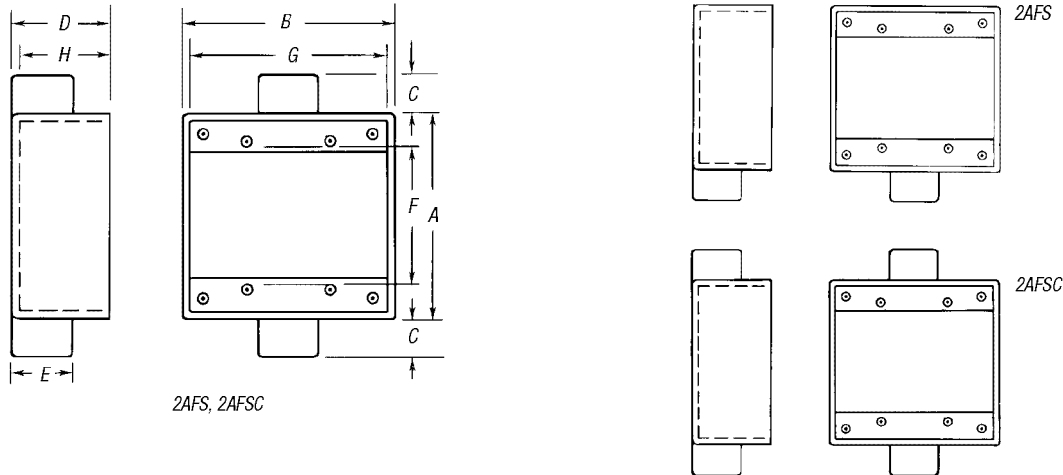
| CAT. NO. | HUB SIZE | DIMENSIONS (IN.) |         |        |        |         |       |        |         |       |      | CU. IN. |
|----------|----------|------------------|---------|--------|--------|---------|-------|--------|---------|-------|------|---------|
|          |          | A                | B       | C      | D      | E       | F     | G      | H       | J     |      |         |
| AFS-1    | 1/2"     | 4 1/16           | 2 13/16 | 1 3/16 | 2 1/16 | 1 1/8   | 2 7/8 | 2 1/16 | 1 15/16 | —     | 21.6 |         |
| AFS-2    | 3/4"     | 4 1/16           | 2 13/16 | 1 3/16 | 2 1/16 | 1 11/16 | 2 7/8 | 2 1/16 | 1 15/16 | —     | 21.6 |         |
| AFS-3    | 1"       | 4 1/16           | 2 13/16 | 1 3/16 | 2 1/16 | 1 11/16 | 2 7/8 | 2 1/16 | 1 15/16 | —     | 21.6 |         |
| AFSC-1   | 1/2"     | 4 1/16           | 2 13/16 | 1 3/16 | 2 1/16 | 1 1/8   | 2 7/8 | 2 1/16 | 1 15/16 | —     | 21.6 |         |
| AFSC-2   | 3/4"     | 4 1/16           | 2 13/16 | 1 3/16 | 2 1/16 | 1 11/16 | 2 7/8 | 2 1/16 | 1 15/16 | —     | 21.6 |         |
| AFSC-3   | 1"       | 4 1/16           | 2 13/16 | 1 3/16 | 2 1/16 | 1 11/16 | 2 7/8 | 2 1/16 | 1 15/16 | —     | 21.6 |         |
| AFSS-1   | 1 1/2"   | 4 1/16           | 2 13/16 | 1 3/16 | 2 1/16 | 1 3/8   | 2 7/8 | 2 1/16 | 1 15/16 | 1 1/2 | 21.6 |         |
| AFSS-2   | 3/4"     | 4 1/16           | 2 13/16 | 1 3/16 | 2 1/16 | 1 3/8   | 2 7/8 | 2 1/16 | 1 15/16 | 1 1/2 | 21.6 |         |
| AFSCC-1  | 1/2"     | 4 1/16           | 2 13/16 | 1 3/16 | 2 1/16 | 1 3/8   | 2 7/8 | 2 1/16 | 1 15/16 | 1 1/2 | 21.6 |         |
| AFSCC-2  | 3/4"     | 4 1/16           | 2 13/16 | 1 3/16 | 2 1/16 | 1 3/8   | 2 7/8 | 2 1/16 | 1 15/16 | 1 1/2 | 21.6 |         |



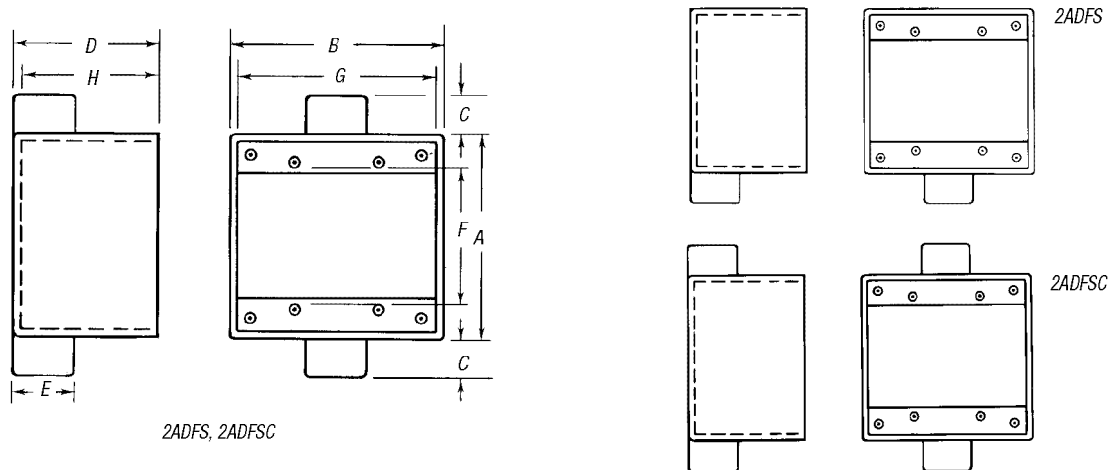
| CAT. NO. | HUB SIZE | DIMENSIONS (IN.) |         |     |        |         |       |        |         |         |      | CU. IN. |
|----------|----------|------------------|---------|-----|--------|---------|-------|--------|---------|---------|------|---------|
|          |          | A                | B       | C   | D      | E       | F     | G      | H       | J       |      |         |
| ADFS-1   | 1/2"     | 4 1/16           | 2 13/16 | 7/8 | 3 1/16 | 1 1/8   | 2 7/8 | 2 1/16 | 2 15/16 | 2 15/16 | 31.3 |         |
| ADFS-2   | 3/4"     | 4 1/16           | 2 13/16 | 7/8 | 3 1/16 | 1 11/16 | 2 7/8 | 2 1/16 | 2 15/16 | 2 15/16 | 31.3 |         |
| ADFS-3   | 1"       | 4 1/16           | 2 13/16 | 7/8 | 3 1/16 | 1 11/16 | 2 7/8 | 2 1/16 | 2 15/16 | 2 15/16 | 31.3 |         |
| ADFSC-1  | 1 1/2"   | 4 1/16           | 2 13/16 | 7/8 | 3 1/16 | 1 1/8   | 2 7/8 | 2 1/16 | 2 15/16 | 2 15/16 | 31.3 |         |
| ADFSC-2  | 3/4"     | 4 1/16           | 2 13/16 | 7/8 | 3 1/16 | 1 11/16 | 2 7/8 | 2 1/16 | 2 15/16 | 2 15/16 | 31.3 |         |
| ADFSC-3  | 1"       | 4 1/16           | 2 13/16 | 7/8 | 3 1/16 | 1 11/16 | 2 7/8 | 2 1/16 | 2 15/16 | 2 15/16 | 31.3 |         |

## Device Boxes and Covers

### Dimensions and Cubic Inches (CI) for Double-Gang Boxes



| CAT. NO. | HUB SIZE | DIMENSIONS (IN.) |       |        |        |         |       |       |         | CU. IN. |
|----------|----------|------------------|-------|--------|--------|---------|-------|-------|---------|---------|
|          |          | A                | B     | C      | D      | E       | F     | G     | H       |         |
| 2AFS-1   | 1/2"     | 4 1/16           | 4 3/8 | 1 3/16 | 2 1/16 | 1 3/8   | 2 7/8 | 4 3/8 | 1 15/16 | 36.0    |
| 2AFS-2   | 3/4"     | 4 1/16           | 4 3/8 | 1 3/16 | 2 1/16 | 1 3/8   | 2 7/8 | 4 3/8 | 1 15/16 | 36.0    |
| 2AFS-3   | 1"       | 4 1/16           | 4 3/8 | 1/8    | 2 1/16 | 1 11/16 | 2 7/8 | 4 3/8 | 1 15/16 | 36.0    |
| 2AFSC-1  | 1/2"     | 4 1/16           | 4 3/8 | 1 3/16 | 2 1/16 | 1 3/8   | 2 7/8 | 4 3/8 | 1 15/16 | 36.0    |
| 2AFSC-2  | 3/4"     | 4 1/16           | 4 3/8 | 1 3/16 | 2 1/16 | 1 3/8   | 2 7/8 | 4 3/8 | 1 15/16 | 36.0    |



| CAT. NO. | HUB SIZE | DIMENSIONS (IN.) |       |        |        |         |       |       |    | CU. IN. |
|----------|----------|------------------|-------|--------|--------|---------|-------|-------|----|---------|
|          |          | A                | B     | C      | D      | E       | F     | G     | H  |         |
| 2ADFS-1  | 1/2"     | 4 1/16           | 4 3/8 | 1 3/16 | 3 3/32 | 1 3/8   | 2 7/8 | 4 3/8 | 20 | 54.0    |
| 2ADFS-2  | 3/4"     | 4 1/16           | 4 3/8 | 1 3/16 | 3 3/32 | 1 3/8   | 2 7/8 | 4 3/8 | 20 | 54.0    |
| 2ADFS-3  | 1"       | 4 1/16           | 4 3/8 | 1/8    | 3 3/32 | 1 11/16 | 2 7/8 | 4 3/8 | 20 | 54.0    |
| 2ADFSC-2 | 3/4"     | 4 1/16           | 4 3/8 | 1 3/16 | 3 3/32 | 1 3/8   | 2 7/8 | 4 3/8 | 20 | 54.0    |
| 2ADFSC-3 | 1"       | 4 1/16           | 4 3/8 | 1/8    | 3 3/32 | 1 11/16 | 2 7/8 | 4 3/8 | 20 | 54.0    |