

# OEM Equipment

Electrical Apparatus  
**800-45**

## 600 A 15 and 25 kV Class Deadbreak Apparatus Bushing

### GENERAL

Cooper Power Systems 600 A 15 and 25 kV Class deadbreak apparatus bushing meets the full requirements of IEEE Std 386™ standard separable insulated connector systems. All 600 A separable connectors manufactured according to IEEE Std 386™ standard will operate with this bushing.

The epoxy bushings are designed for sidewall mounting in transformers, switches and other apparatus filled with transformer oil or Envirotemp™ FR3™ Fluid or an approved equivalent. Separable connector systems, such as Cooper Power Systems Bol-T™ and T-OP II™ Deadbreak Connectors as well as other similar systems on the market, can be used with these bushings.

### INSTALLATION

No special tools are required. The bushing is mounted through the apparatus sidewall and clamped externally. Refer to Installation Instruction Sheet S800-35-1 (5000050608) for details.

### PRODUCTION TESTS

Tests are conducted in accordance with IEEE Std 386™ standard.

- AC 60 Hz 1 Minute Withstand—40 kV
- Minimum Corona Voltage Level—19 kV

Tests are conducted in accordance with Cooper Power Systems requirements:

- Physical Inspection
- Periodic Dissection
- Periodic Fluoroscopic Analysis (X-ray)



Figure 1.  
600 A 15 and 25 kV Class Deadbreak Apparatus Bushing.

TABLE 1  
Voltage Ratings and Characteristics

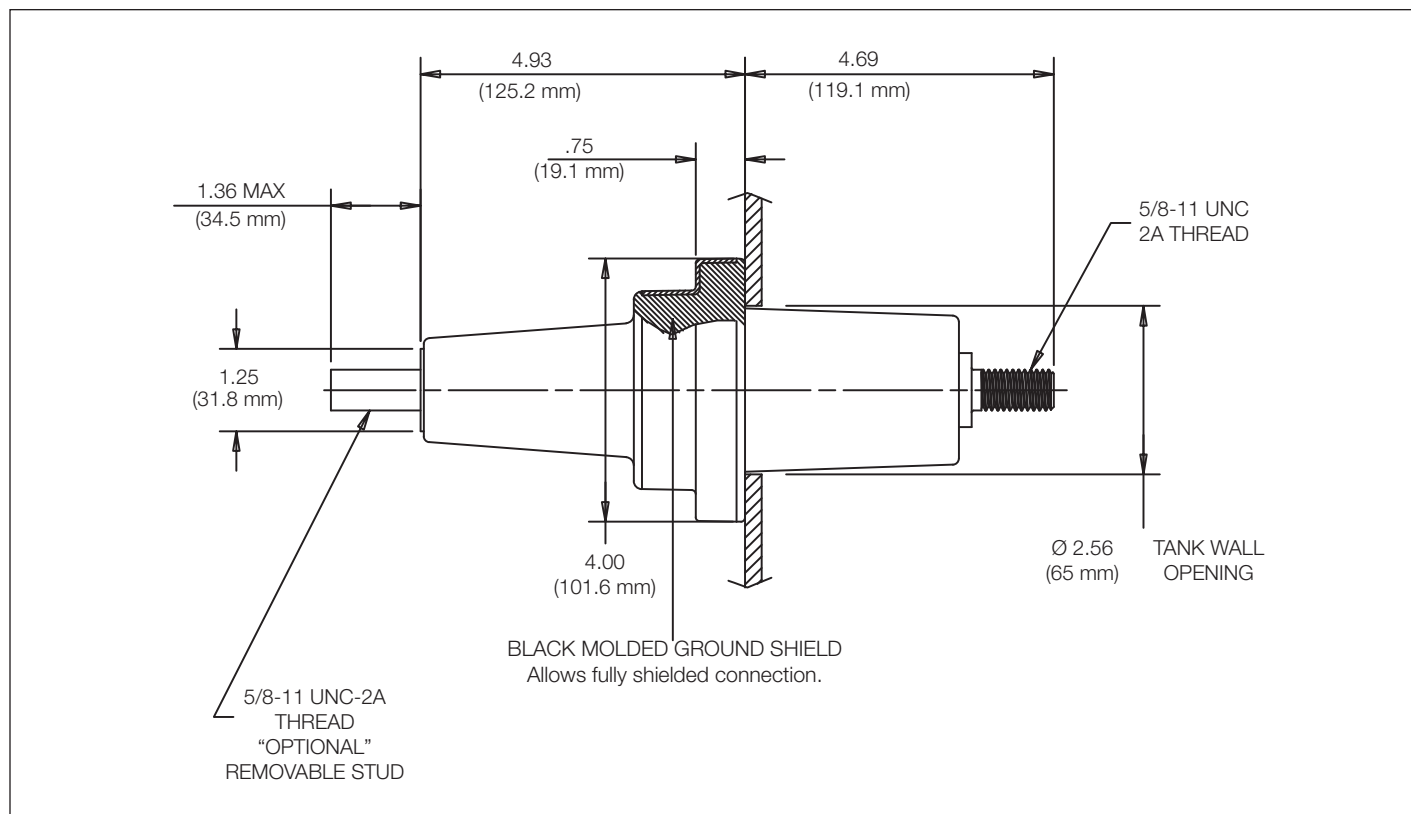
Description	kV
Standard Voltage Class	25
Maximum Rating Phase-to-Ground	15.2
AC 60 Hz 1 Minute Withstand	40
DC 15 Minute Withstand	78
BIL and Full Wave Crest	125
Minimum Corona Voltage Level	19

Voltage ratings and characteristics are in accordance with IEEE Std 386™ standard.

TABLE 2  
Current Ratings and Characteristics

Description	Amperes
Continuous	600 A rms (Aluminum) 900 A (Copper)
Short Time	25,000 A rms symmetrical for 0.17 s 10,000 A rms symmetrical for 3.0 s

Current ratings and characteristics are in accordance with IEEE Std 386™ standard.



**Figure 2.**  
**600 A 15 and 25 kV Class Deadbreak Apparatus Bushing.**

NOTE: Dimensions given are for reference only.

**ORDERING INFORMATION**

To order a 600 A 15 and 25 kV Class deadbreak bushing, specify bushing, clamp and gasket from Table 3.

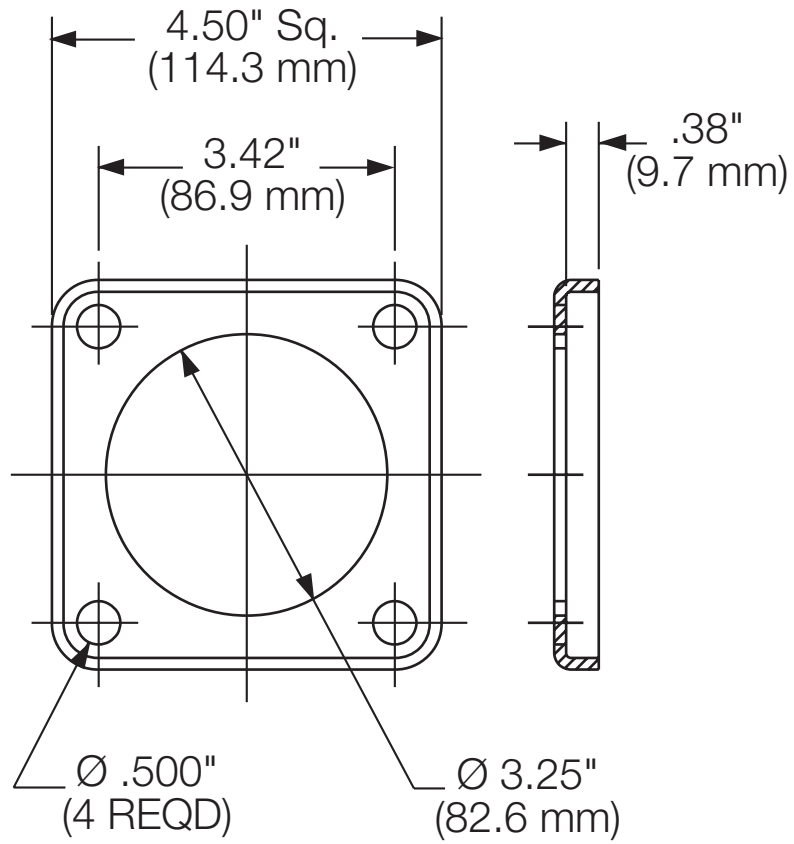
**TABLE 3**  
**Bushing, Clamp and Gasket**

Description	Catalog Number
15 and 25 kV Bushing Aluminum Conductor Copper Conductor	2637019B02 2637019B04
Plated Steel Clamp	2637023B01
Stainless Steel Clamp	2637023B02
Gasket	0537980C06

**TABLE 4**  
**Accessories**

Description	Catalog Number
Shipping Cap (not for energized operation)	2637700B02
If a threaded stud is required, specify: Aluminum Copper	STUD-A STUD-C

NOTE: For other thread types, contact your Cooper Power Systems representative..



**Figure 3.**  
**Clamp front and side view.**

NOTE: Dimensions given are for reference only.

© 2012 Cooper Industries. All Rights Reserved.  
Cooper Power Systems, Bol-T and T-OP II are valuable trademarks of Cooper Industries in the U.S. and other countries. You are not permitted to use the Cooper Trademarks without the prior written consent of Cooper Industries.  
IEEE Std 386™ standard is a trademark of the Institute of Electrical and Electronics Engineers, Inc., (IEEE) This publication/product is not endorsed or approved by the IEEE.  
IEEE is a registered trademark of the Institute of Electrical and Electronics Engineers, Inc.  
Envirotemp™ and FR3™ are licensed trademarks of Cargill, Incorporated.

One Cooper | [www.cooperpower.com](http://www.cooperpower.com) | Online



2300 Badger Drive  
Waukesha, WI 53188 USA