

TSW-MV, Digital Wall Switch Timer



- Tamper resistant time-on interval can be preset
- Flicker of lights and/or beep warning begins 2 minutes before count-down time elapses (Can be disabled by DIP Switch)
- Zero-Crossing Technology prolongs relay life by switching high-inrush equipment at close to zero power
- Compatible with electronic ballasts, incandescent lighting, or motor loads
- No minimum load required
- Easy installation; fits standard 2 1/2" Wall Box
- Easily replaces wall switch in existing installation

Specifications:

Electrical Ratings:

Contacts: 960W @ 120 VAC Tungsten
10A @ 120 VAC Ballast
10A @ 277 VAC Ballast
1/4 HP @ 120 VAC

Input: 120 or 277 VAC +/- 10% 60 Hz


Operating Environment:

- Temperature: 0°F - 100°F (-17°C - 37°C)
- Relative humidity: Less than 90%, non-condensing
- For indoor use only

Size:

- **Mounting Plate Dimensions:**
4.15"H X 1.94"W (10.54cm x 4.92cm)
- **Product Housing Dimensions:**
2.73"H X 1.8"W X 1.8"D (6.93cm x 4.57cm x 4.57cm)

Warranty: Five year

FCC Compliant
UL Listed 

Catalog #	Type
Project	
Comments	
Prepared by	Date

Digital Accuracy to the minute

LCD display stands out strongly in lighted areas and is backlit for visibility in dark areas

Manual scroll-up mode activated by holding in pushbutton for over 3 seconds. Displays selectable time-on interval options in 10-minute intervals up to 12 hours. (Can be disabled by DIP Switch.)



Overview

The TSW-MV is ideal for conformance to energy codes where assurance is needed that lights are turned OFF when not in use and an occupancy sensor is not the best application.

Operation

Momentarily pressing the start/stop button located on the front of the unit will turn the load ON and start the countdown time (set by DIP Switches). When the count-down time elapses, the load will turn OFF. When necessary, momentarily pressing the start/stop button will also turn the load OFF before the count-down time has expired. The unit may be programmed by use of the DIP Switches to flicker lights and/or beep as a warning that the load is about to be turned OFF. Holding in the pushbutton for 1 to 2 seconds while the load is on will reset the timer to its original preset interval.

Applications

storage rooms hall closets broom closets

Ordering

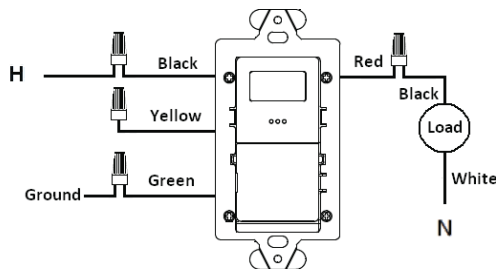
Catalog #	Ratings	Shut-off Delay
TSW-MV-*	960W @ 120 VAC Tungsten 10A @ 120 VAC Ballast 10A @ 277 VAC Ballast 1/4 HP @ 120 VAC	Adjustable 5 min. - 24 hr.
(* - W)		

*White

TSW-MV, Digital Wall Switch Timer

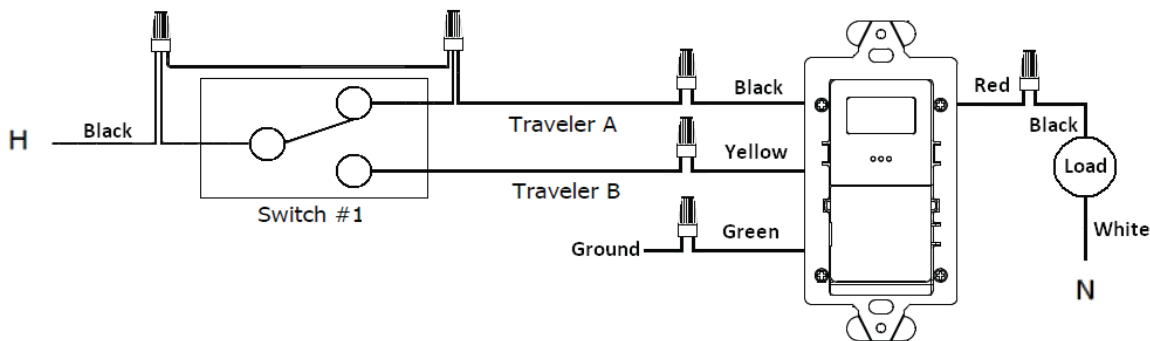
Single pole Wiring

SS403 Wiring



Three-Way Wiring

Connect a wire inside the gang-box between Traveler A and HOT



Controls

- The tamper resistant time-on interval can be preset. In addition, a manual scroll-up mode can override the setting temporarily – this feature can be disabled, thereby providing a fixed interval timer.
- A flicker of the lights and/or a beep warning begins 2 minutes before time-out (either or both can be disabled).

The TSW-MV is factory preset to meet newer energy code override mandates. No adjustment is required. This setting will provide a two hour maximum operating time before shut off. The scroll feature is active to allow the user to change the operating time with the maximum time setting at two hours.

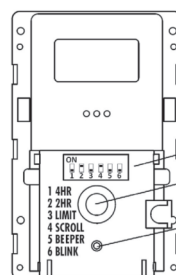
Close the timer door and the unit is ready. One press of the bottom cover turns the load ON. The load will stay ON until a count-down to the preset OFF time. Pressing the bottom cover again will turn load OFF.

SET FOR:

1. 4HR: Set ON for preset 4 hour maximum count-down when 2HR is set to OFF. (Also used in custom time programming.)
2. 2HR: Set ON for preset 2 hour maximum count-down when 4HR is set to OFF. (Also used in custom time programming.)
3. LIMIT: Used with programming sequence. Switch from ON to OFF to limit scroll to match custom time.
4. SCROLL: Set ON allowing the timer to scroll to a shorter run time. Set OFF to disable. Switch from ON to OFF to set a custom time. (Also used in programming sequence.)

The time scrolls in steps:

- 5 minute steps from 5 minutes to 1 hour.
 - 10 minute steps from 1 to 4 hours.
 - 30 minute steps from 4 to 12 hours.
 - 1 hour steps from 12 to 24 hours
5. BEEPER: Set ON activating the feature for a beep warning every 15 seconds starting 2 minutes before OFF.
 6. BLINK: Set ON activating a feature for load flash 2 minutes before OFF.



"[Beeper Icon]" = Beeper
 "[Blink Icon]" = Blink