

## DESCRIPTION

H36LVTAT277 is a 3" aperture non-IC AIR-TITE™ fixture for use with H3 series trims. Housing is AIR-TITE rated to prevent airflow between heated or air conditioned spaces and unconditioned attic areas. For use with 12V MR16 lamps. H36LVTAT277 features integral 120/277 dualtap transformer. Housing is rated for up to 50W MR16 lamps, and is designed for installation in 120 or 277V electrical systems. Housing ships as 277V model with 120V transformer wire lead capped (see wiring diagram) Non-IC Housing is AIR-TITE™ but insulation must be kept 3" away from all sides of housing.

<b>Catalog #</b>		<b>Type</b>	
<b>Project</b>			
<b>Comments</b>		<b>Date</b>	
<b>Prepared by</b>			

## SPECIFICATION FEATURES

### Housing

Formed of 20 gauge CRS with white powder coat finish.

### Plaster Frame

Housing adjusts in plaster frame to accommodate up to 1-1/2" ceiling thickness. Galvanized steel construction. Plaster frame features include:

- Regressed locking screw for securing hanger bars.
- Cutouts for easily crimping hanger bars in position.
- HALO name embossed on plaster frame.
- The housing may be removed from the plaster frame to provide access to the junction box.
- Pre-installed AIR-TITE gasket.

### Got NAIL!™ Bar Hangers

- Pre-installed nail easily installs in regular lumber, engineered lumber and laminated beams.
- Safety and guidance system prevents snagging, ensures smooth straight nail penetration and allows bar hangers to be easily removed if necessary.
- Automatic levelling flange aligns the housing and lets you hold the housing in place with one hand while driving nails.

- Housing can be positioned at any point within 24" joist span
- Pass-N-Thru™ feature allows bar hangers to be shortened without removing from plaster frame.
- Score lines allow "toolless" shortening for 12" joists.
- Bar hangers may be repositioned 90°.
- Integral T-bar clip snaps onto T-bars- no additional clips required.

### Junction Box

- UL/cUL listed for through branch circuit wiring (maximum 8 No.12 ga., 90°C conductors).
- Four 1/2" trade size conduit knockouts with true pry-out slots are positioned to accommodate straight conduit runs.
- Three Slide-N-Side™ wire traps allow non-metallic sheathed cable to be installed without tools and without removing knockouts. Accepts a wide range of non-metallic sheathed cable.
  - Allows wiring connections to be made outside the junction box- Simply insert the cable directly into the trap after connections are made.
  - Three push-in wire connectors are included and eliminate the need for separate wire nuts.

- Accommodates the following standard non-metallic sheathed cable sizes:  
(US) #14/2, #14/3, #12/2, #12/3  
(Canada) #14/2, #14/3, #12/2

### Transformer

Integral dual-tap magnetic transformer steps 120V or 277V line voltage down to 12V nominal lamp operating voltage. Housing is rated for up to 50W MR16 lamps. Housing ships as 277V model with 120V transformer wire lead capped. For use in 120V systems, simply cap the 277V wire lead and use 120V lead (refer to wiring diagram).

### Socket

GU5.3 socket for 12V MR16 lamp.

### Labels

- UL/cUL Listed 1598 Luminaire
- UL/cUL Damp Location Listed
- UL/cUL Listed for FeedThrough
- Certified Under ASTM-E283 for air tight construction



## H36LVTAT277

**3" Non-Insulated Ceiling  
AIR-TITE™ Recessed  
Housing  
12V MR16**

3" TRIMS

FOR USE IN NON-INSULATED CEILINGS

CAN BE USED IN INSULATED CEILINGS BUT INSULATION MUST BE KEPT 3" FROM ALL SIDES OF THE HOUSING



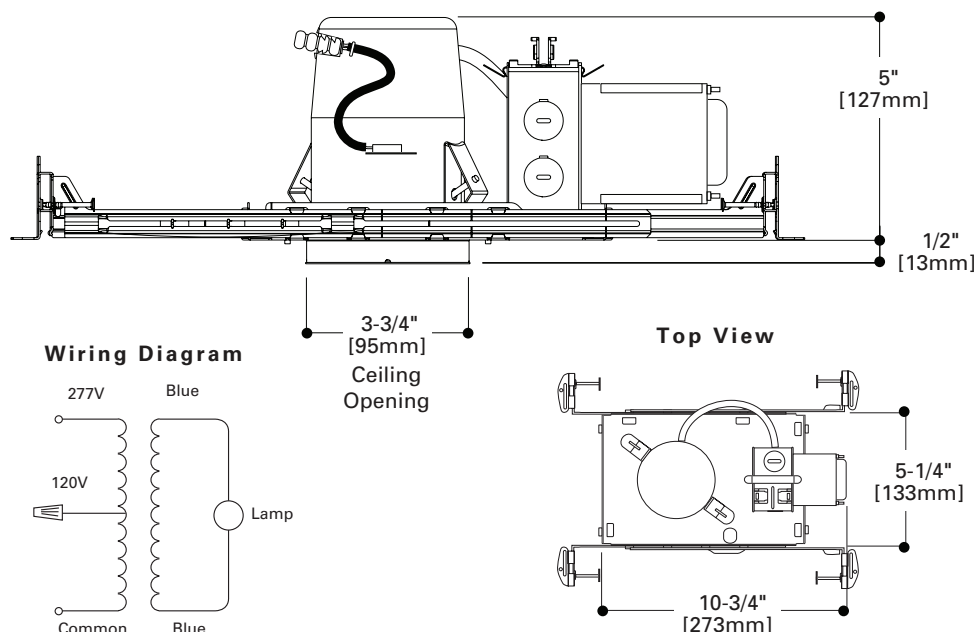
12V MR16

### Transformer Data:

Type: Magnetic  
Primary: 120/277VAC dual tap  
60 Hz  
Secondary: 11.5 ±0.3V

### Features

- Slide-N-Side™ Junction Box
- GOT NAIL!™ Bar Hangers
- Pass-N-Thru™ Bar Hangers
- Regressed Locking Screw
- Quick-Connect Wiring Connectors
- HALO ID on Plaster Frame



**ORDERING INFORMATION**

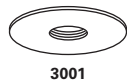
**SAMPLE NUMBER: H36LVTAT277-3001WHBB**  
Order housing and trims separately.

**Housing**

**Trims**

**H36LVTAT277**

H36LVTAT277= 3" AIR-TITE™  
Non-IC Small  
Aperture  
120/277V Low  
Voltage MR16  
Housing



**Adjustable Pinhole Baffle - 15° Tilt**  
**50W 12V MR16**  
3001WHBB=White with Black Baffle  
3001BKBB=Black with Black Baffle  
3001SNBB=Satin Nickel with Black Baffle  
3001ACBB=Antique Copper with Black Baffle  
3001TBZBB=Tuscan Bronze with Black Baffle  
OD: 4-1/4" [108mm]



**Adjustable Gimbal- 35° Tilt**  
**50W 12V MR16**  
3009WHBB=White with Black Baffle  
3009WHWB=White with White Baffle  
3009BKBB=Black with Black Baffle  
3009SNBB=Satin Nickel with Black Baffle  
3009ACBB=Antique Copper with Black Baffle  
3009TBZBB=Tuscan Bronze with Black Baffle  
OD: 4-1/4" [108mm]



**Square Drop Glass**  
**50W 12V MR16**  
3018SGSC=Square Designer Drop Glass with Satin Chrome Trim  
OD: 4-1/4" [108mm]



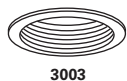
**Adjustable Pinhole Reflector- 15° Tilt**  
**50W 12V MR16**  
3002WHC=White with Clear Reflector  
3002BKC=Black with Clear Reflector  
3002SNC=Satin Nickel with Clear Reflector  
3002ACC=Antique Copper with Clear Reflector  
3002TBZC=Tuscan Bronze with Clear Reflector  
OD: 4-1/4" [108mm]



**Super Adjustable- 0 - 80° Adjustment**  
**50W 12V MR16**  
3010WH=White  
3010SN=Satin Nickel  
3010TBZ=Tuscan Bronze  
OD: 4-1/4" [108mm]



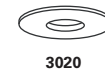
**Round Drop Glass**  
**50W 12V MR16**  
3019RGSC=Round Designer Drop Glass with Satin Chrome Trim  
OD: 4-1/4" [108mm]



**Adjustable Baffle- 35° Tilt**  
**50W 12V MR16**  
3003WHBB=White with Black Baffle  
3003WHWB=White with White Baffle  
3003BKBB=Black with Black Baffle  
3003SNB=Satin Nickel with Satin Nickel Baffle  
3003ACB=Antique Copper with Antique Copper Baffle  
3003TBZB=Tuscan Bronze with Tuscan Bronze Baffle  
OD: 4-1/4" [108mm]



**Square Adjustable - 15° Tilt**  
**50W 12V MR16**  
3011WHBB=White with Black Baffle  
3011WHWB=White with White Baffle  
3011BKBB=Black with Black Baffle  
3011SNBB=Satin Nickel with Black Baffle  
3011ACBB=Antique Copper with Black Baffle  
3011TBZBB=Tuscan Bronze with Black Baffle  
OD: 4-1/4" [108mm]



**Wall Wash**  
**50W 12V MR16**  
3020WW=White Downlight & Wall Wash with Integral Kick Reflector  
OD: 4-1/4" [108mm]



**Adjustable Reflector- 35° Tilt**  
**50W 12V MR16**  
3004WHC=White with Clear Reflector  
3004BKC=Black with Clear Reflector  
3004SN=Satin Nickel with Satin Nickel Reflector  
3004AC=Antique Copper with Antique Copper Reflector  
3004TBZ=Tuscan Bronze with Tuscan Bronze Reflector  
3004WHH=White with Haze Reflector  
3004WHW=White with White Reflector  
OD: 4-1/4" [108mm]



**Square Regressed Lens Adjustable Showerlight - 15° Tilt**  
**50W 12V MR16**  
3012WHBB=White with Black Baffle  
3012WHWB=White with White Baffle  
3012BKBB=Black with Black Baffle  
3012SNBB=Satin Nickel with Black Baffle  
3012ACBB=Antique Copper with Black Baffle  
3012TBZBB=Tuscan Bronze with Black Baffle  
OD: 4-1/4" [108mm]



**Crossblade Reflector**  
**50W 12V MR16**  
3005WHC=White with Clear Reflector  
3005BKC=Black with Clear Reflector  
OD: 4-1/4" [108mm]



**Square Adjustable Gimbal - 35° Tilt**  
**50W 12V MR16**  
3013WH=White  
3013BK=Black  
3013SN=Satin  
3013AC=Antique Copper  
3013TBZ=Tuscan Bronze  
OD: 4-1/4" [108mm]



**Adjustable Slot Aperture- 35° Tilt**  
**50W 12V MR16**  
3006WHBB=White with Black Baffle  
3006BKBB=Black with Black Baffle  
3006SNBB=Satin Nickel with Black Baffle  
3006ACBB=Antique Copper with Black Baffle  
3006TBZBB=Tuscan Bronze with Black Baffle  
OD: 4-1/4" [108mm]



**Glass Cylinder - Frost Glass with Optional Blue Glass Included**  
**50W 12V MR16**  
3014FBWH=Frost/Blue Glass Cylinder with White Trim  
3014FBSC=Frost/Blue Glass Cylinder with Satin Chrome Trim  
OD: 4-1/4" [108mm]



**Regressed Lens Showerlight- 15° Tilt - Wet Location Listed**  
**50W 12V MR16**  
3007WHC=White with Clear Reflector  
3007PCC=Polished Chrome with Clear Reflector  
3007SN=Satin Nickel with Satin Nickel Reflector  
3007AC=Antique Copper with Antique Copper Reflector  
3007TBZ=Tuscan Bronze with Tuscan Bronze Reflector  
OD: 4-1/4" [108mm]



**Low Profile Glass Curve**  
**50W 12V MR16**  
3016FG=Frost Glass Curve  
3016BG=Blue Glass Curve  
3016AG=Amber Glass Curve  
OD: 4-1/4" [108mm]



**Showerlight - Wet Location Listed**  
**50W 12V MR16**  
3008FG=White Polymer and Glass Lens with Frosted Perimeter  
OD: 4-1/4" [108mm]



**All-Glass Frost Curve Showerlight - Wet Location Listed**  
**50W 12V MR16**  
3017FGS=All-Glass Frost Curve with Clear Glass Center - Showerlight  
OD: 4-1/4" [108mm]

Note: Specifications and Dimensions subject to change without notice.  
Visit our web site at [www.cooperlighting.com](http://www.cooperlighting.com)

Customer First Center 1121 Highway 74 South Peachtree City, GA 30269 770.486.4800 FAX 770.486.4801  
Cooper Lighting 5925 McLaughlin Rd. Mississauga, Ontario, Canada L5R 1B8 905.507.4000 FAX 905.568.7049