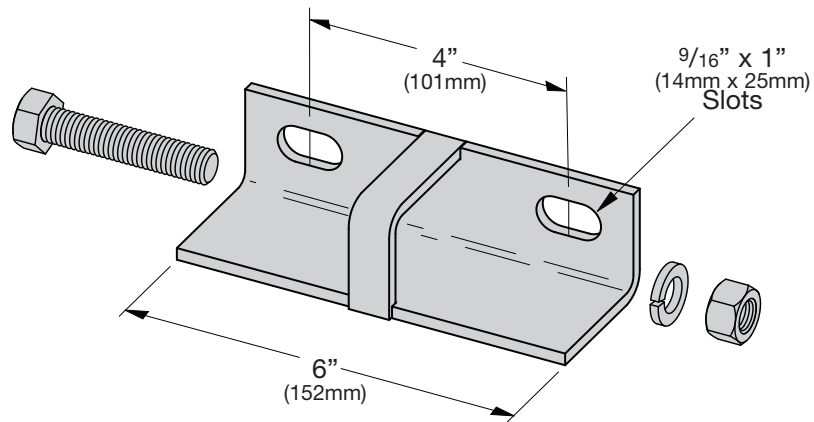
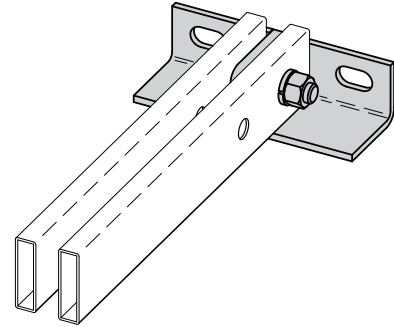
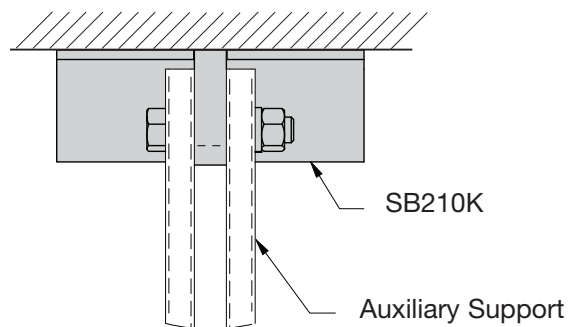


Angle Wall Support Kit

- Use to secure 2" (51mm) X 9/16" (14mm) or 2" (51mm) X 3/8" (9mm) auxiliary support to a wall.
- Includes: 1/2"-13 HHCS and hardware.
- Order anchors separately.
- Material: ASTM A36 1/4" (6mm) X 2" (51mm) X 2" (51mm) structural steel angle
5/8" (16mm) structural steel bar
- Finish ___: Yellow Zinc (YZ),
Telco Gray Powder Coat (TG) or
Flat Black Powder Coat (FB)

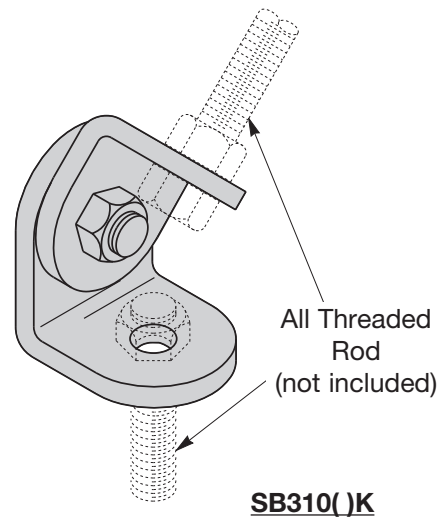
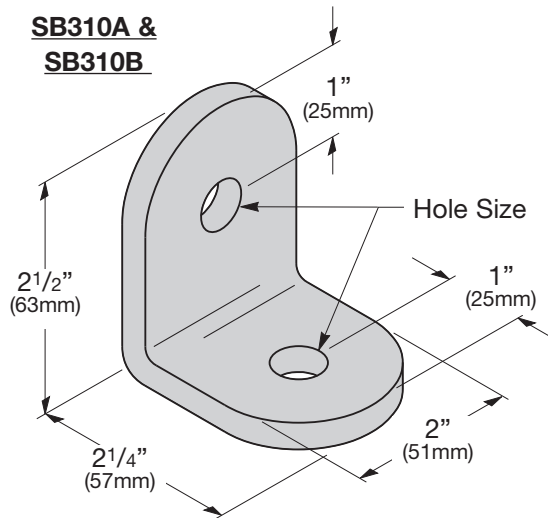


Part Number	Weight	
	Lbs.	(kg)
SB210K__	2.25	(1.02)



Angled Drop Rod Bracket

- Use to create bracing systems with the use of all threaded rod.
- Use kit to secure all threaded rod as a diagonal brace.
- SB310AK includes: (2) brackets and 1/2"-13 hardware.
- SB310BK includes: (2) brackets and 5/8"-11 hardware.
- Material: 1/4" (6mm) ASTM A907 structural steel
- Finish: Yellow Zinc (YZ) and Black Zinc (BZ)



Part Number	Hole Size		ATR Size		Weight Each	
	in.	(mm)	in.	(mm)	Lbs.	(kg)
SB310A*	9/16"	(14)	1/2"	(13)	0.70	(0.32)
SB310B*	11/16"	(17)	5/8"	(16)	0.70	(0.32)
SB310AK	9/16"	(14)	1/2"	(13)	1.50	(0.68)
✓ SB310BK	11/16"	(17)	5/8"	(16)	1.50	(0.68)

* Single bracket only.

✓ YZ is a popular item