

# Heavy Duty Terminal Blocks

## 1100, 1103P and 1200 Series - Deadfront Type

### Specifications:

- 65 amps - 1100 series
- 70 amps - 1103P and 1200 series
- 600 volts AC/DC
- Base, phenolic, 150°C (UL RTI)
- Pressure spring, copper
- Wire range:
  - 1103P - (1) #4 - 14 AWG CU & (1-2) #10-14 AWG CU
  - 1200 - (1) #4 - 18 AWG CU
- Bare wire range #6 - 18 AWG CU
- See on-line data sheets for multiple wire information

### Standards:

- UL recognized file no. XCFR2.E62806
- CSA certified file no. LR19766
- CE compliant (IEC 60947-7-1)
- RoHS compliant



1104

Catalog #	# of Poles	Screws	Dimensions		
			A	B	
1102	1102S	2	Brass, Tin Plated	1.69	1.31
1104	1104S	4	Brass, Tin Plated	2.50	2.12
1106	1106S	6	Brass, Tin Plated	3.38	3.00
1107	1107S	7	Brass, Tin Plated	3.88	3.50
1108	1108S	8	Brass, Tin Plated	4.25	3.88
1112	1112S	12	Brass, Tin Plated	6.00	5.62
1202		2	Steel, Nickel Plated	1.81	1.44
1204		4	Steel, Nickel Plated	2.81	2.44
1206		6	Steel, Nickel Plated	3.81	3.44

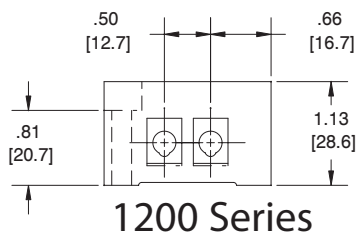
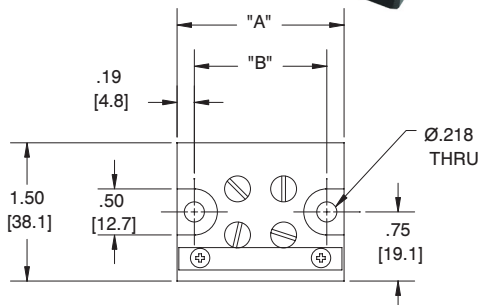
S=Copper Pressure Spring

mm = dim X 25.4

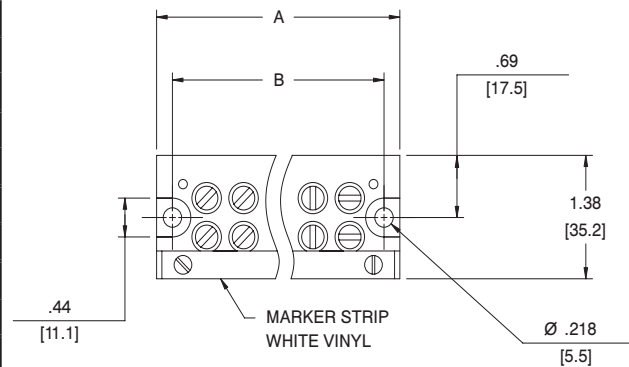
See page 116 for DIN Rail Adapter



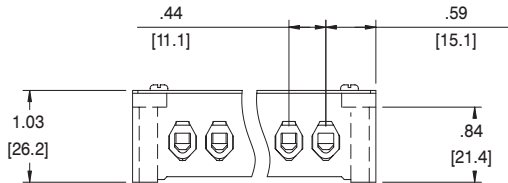
1206



1200 Series



1100 Series



1103P Series

