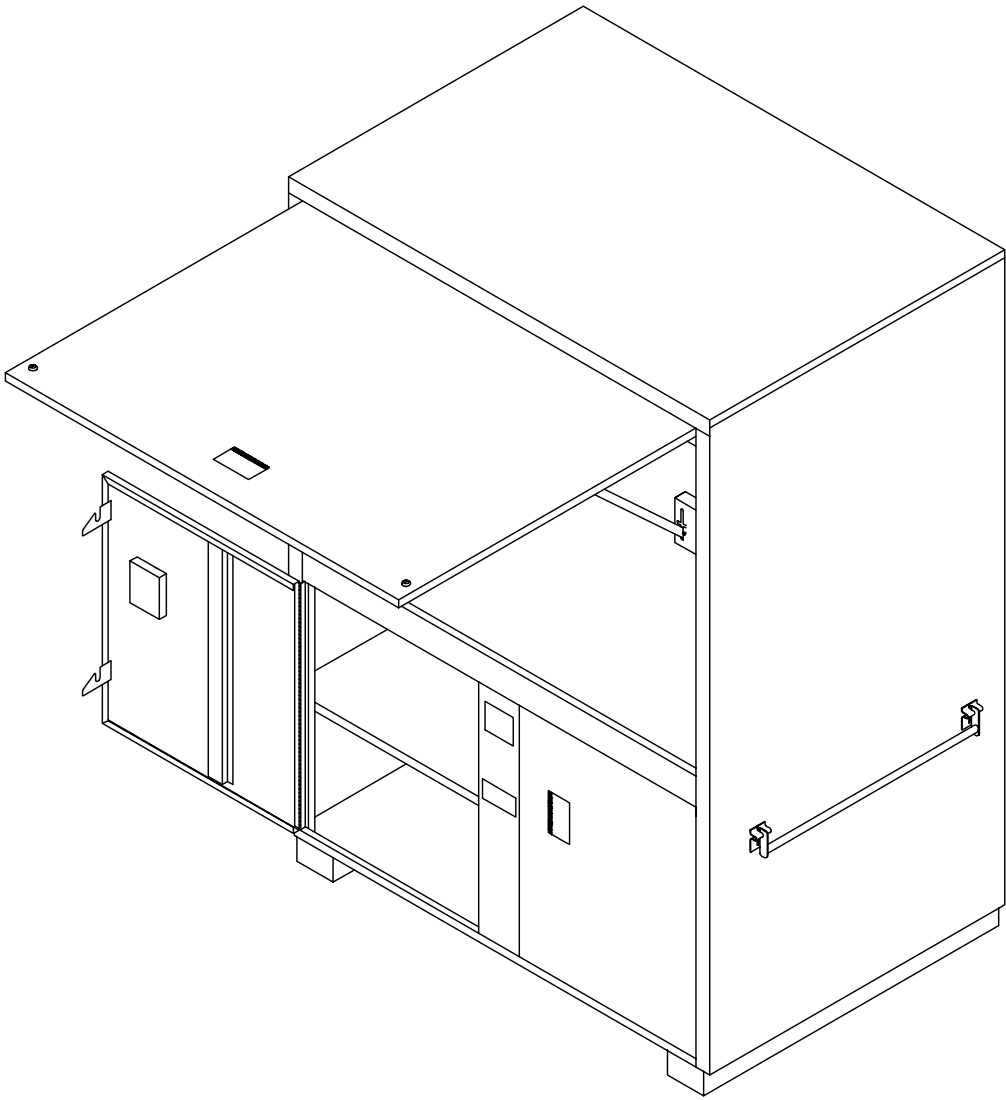


OPERATING INSTRUCTIONS AND PARTS MANUAL
MOBILE JOBSITE OFFICE
MODELS: 806034



Read carefully before attempting to assemble, use or maintain the product described. Protect yourself and others by observing all safety information. Failure to comply with instructions could result in serious bodily injury and/or property damage! Retain instructions for future reference.

⚠ WARNING

TO AVOID POSSIBILITY OF INJURY, KEEP HANDS AND ARMS AWAY FROM MOVING PARTS SUCH AS LOCKING MECHANISM, HINGES, AND DOOR CLOSING AREAS. WHEN MOVING OR TRANSPORTING A CABINET, BE SURE TO CLOSE ALL DOORS AND USE DUE CARE. WHEN LIFTING OFF THE GROUND, DO NOT SLING THROUGH SIDE HANDLES.

⚠ CAUTION

REPLACE WORN PARTS TO PREVENT PROPERTY DAMAGE.
REPLACE WORN OR BENT COVER SUPPORT

**MODEL 806034
REPLACEMENT PART & PADLOCK INSTALLATION**

REPLACEMENT PART LIST

DESCRIPTION	PART #	QUANTITY
U-BOLT WITH NYLON LOCK NUTS	7357	1

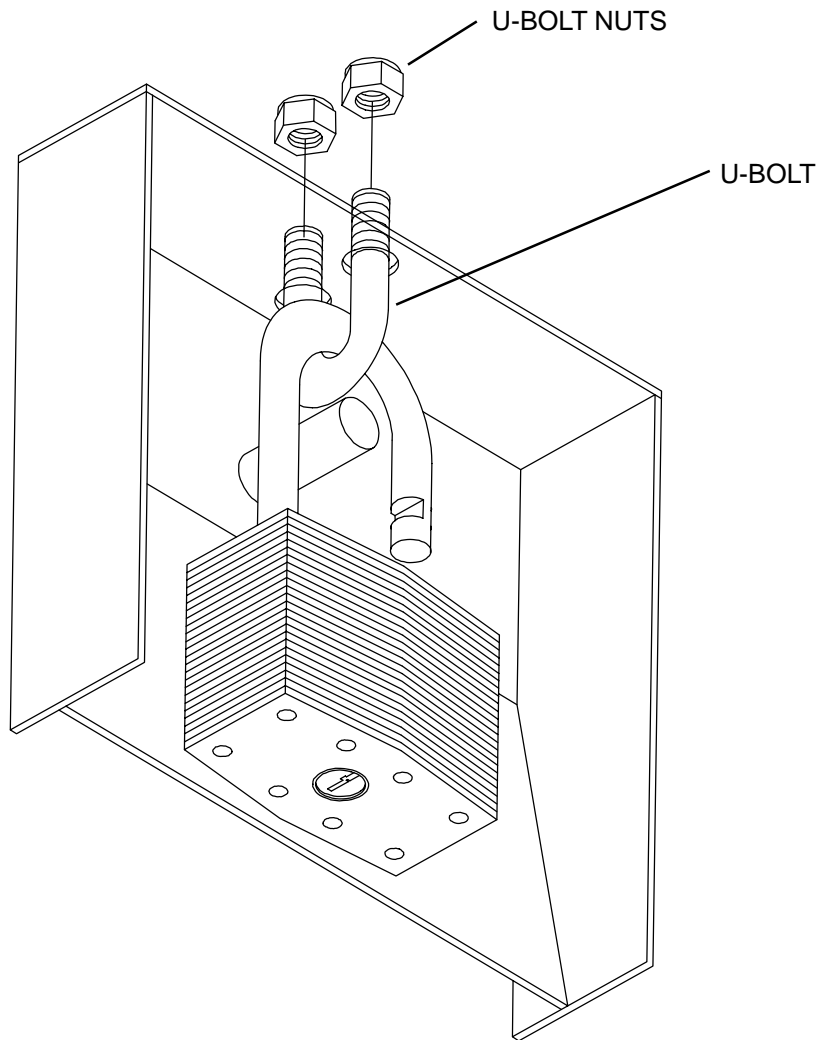
PADLOCK INFORMATION
(Padlock not included)

Use #5 Master Lock with 1" shackle clearance for proper operation of lock mechanism.

PADLOCK INSTALLATION

Open your #5 Master Lock and slide the U-bolt over the lock shackle. Slide the lock, through the lock hole on the front of the box, and guide the U-bolt through the two holes in the top of the box. Secure the U-bolt with the two nylon lock nuts supplied.

TOOL REQUIRED - Ratchet Wrench
with 7/16" Socket



LIMITED WARRANTY

This LIMITED WARRANTY is made by Capsacorp LLC, 420 E. Terra Cotta Ave., Crystal Lake, Illinois to the original retail purchaser of Capsacorp LLC products. CAPSACORP LLC WARRANTS THAT CAPSACORP LLC PRODUCTS WILL BE FREE FROM DEFECTS IN MATERIAL AND WORKMANSHIP FOR A PERIOD OF ONE (1) YEAR FROM DATE OF PURCHASE BY THE ORIGINAL RETAIL PURCHASER.

If, before the expiration of the Warranty period, purchaser discovers that the CAPSACORP LLC product fails to fulfill the Warranty, purchaser shall contact Capsacorp LLC to make arrangements for an inspection of the product. If Capsacorp LLC determines a defect exists, Capsacorp LLC shall, at its option and expense, repair or replace any defective part. All Warranty repairs shall be made by an authorized CAPSACORP LLC product dealer or Capsacorp LLC approved service company.

This Warranty shall not apply if the Capsacorp LLC product has been subjected to misuse, abnormal service or handling, improper maintenance, or alterations made by anyone other than a Capsacorp LLC product dealer or a Capsacorp LLC approved service company.

THE WARRANTY PRINTED ABOVE IS THE ONLY WARRANTY APPLICABLE TO THIS PURCHASE. ALL OTHER WARRANTIES, EXPRESS OR IMPLIED, INCLUDING BUT NOT LIMITED TO THE IMPLIED WARRANTIES OF MERCHANTABILITY AND FITNESS FOR A PARTICULAR PURPOSE ARE HEREBY DISCLAIMED.

CAPSACORP LLC SHALL NOT BE LIABLE FOR ANY INCIDENTAL OR CONSEQUENTIAL DAMAGES ARISING OUT OF ANY BREACH OF THIS WARRANTY. NOR SHALL THE DAMAGES EXCEED THE RETURN AMOUNT OF THE PURCHASE PRICE PAID BY THE ORIGINAL PURCHASER.

This Warranty is in lieu of all other Warranties express or implied. The terms of this Warranty shall not be modified by any party, their successors or assigns. This Warranty gives you specific legal rights, and you may also have other rights which vary from state to state.

Capsacorp, LLC
420 E. Terra Cotta Ave.
Crystal Lake, IL 60098
1-800-456-7865