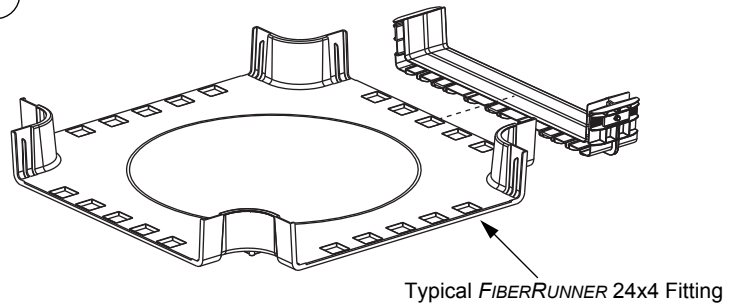
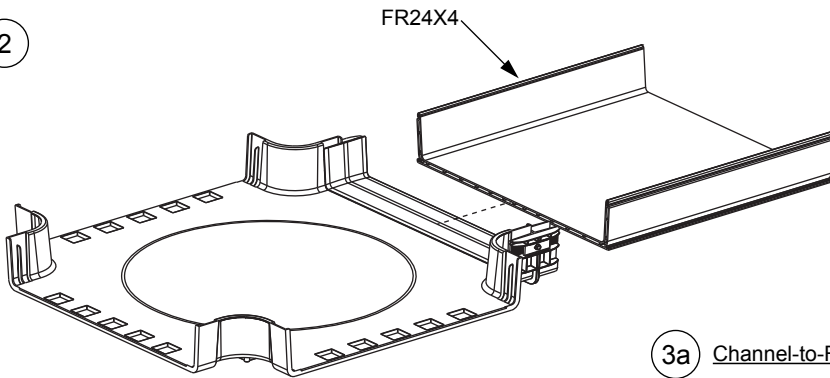


FIBERRUNNER 24x4 QUIKLOCK Coupler

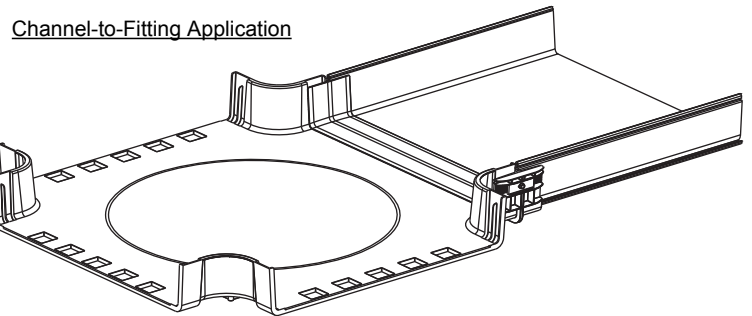
1



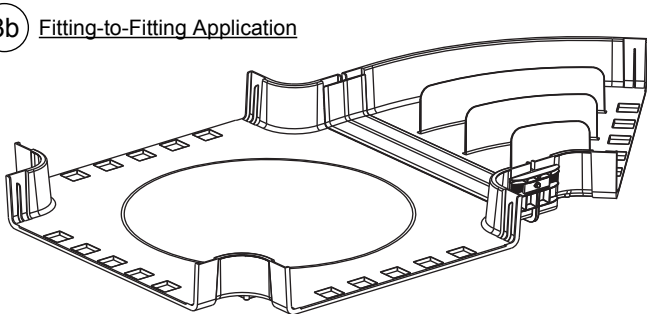
2



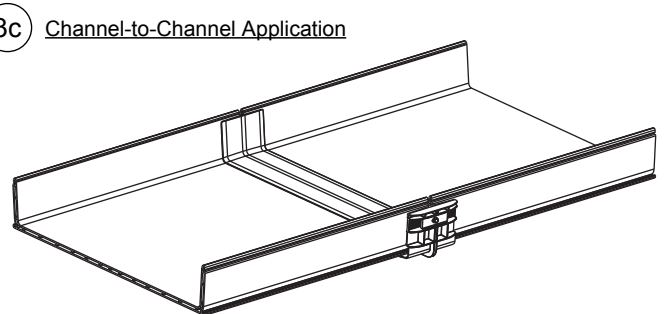
3a



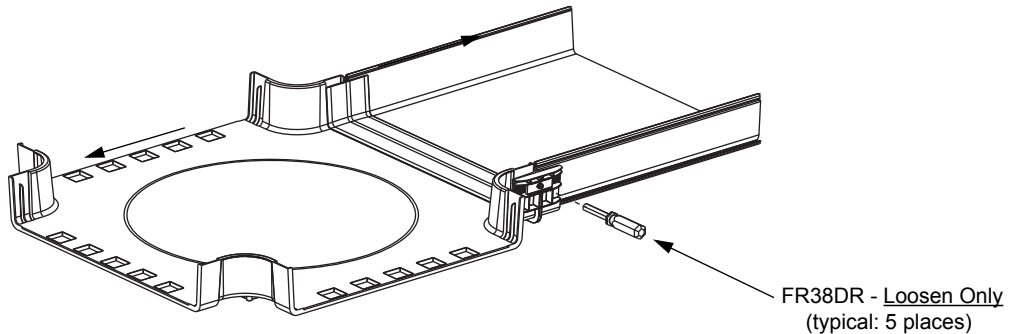
3b



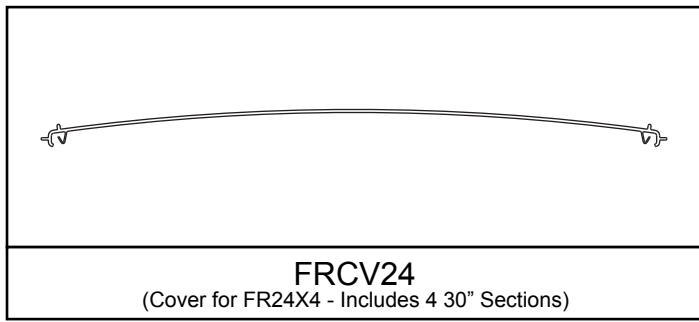
3c



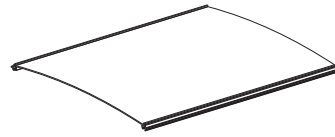
FIBERRUNNER 24x4 QUIKLOCK Coupler - Disassembly



FIBERRUNNER 24x4 Snap-On Cover

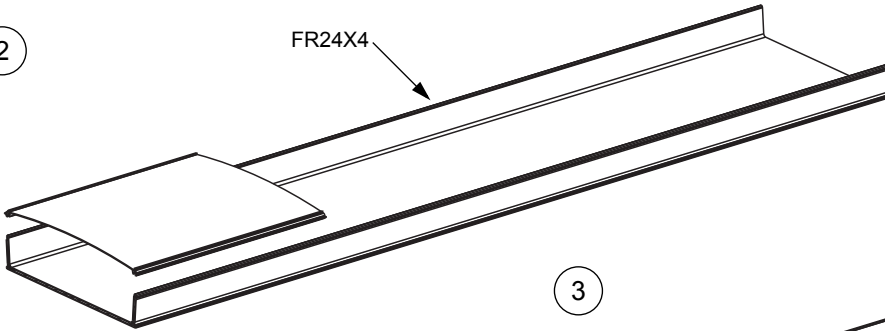


1

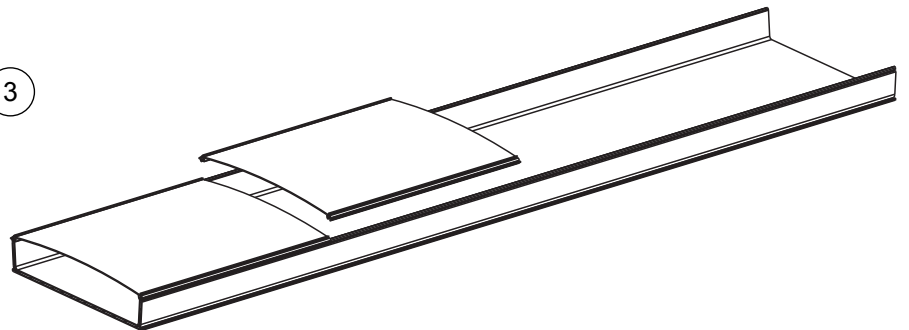


2

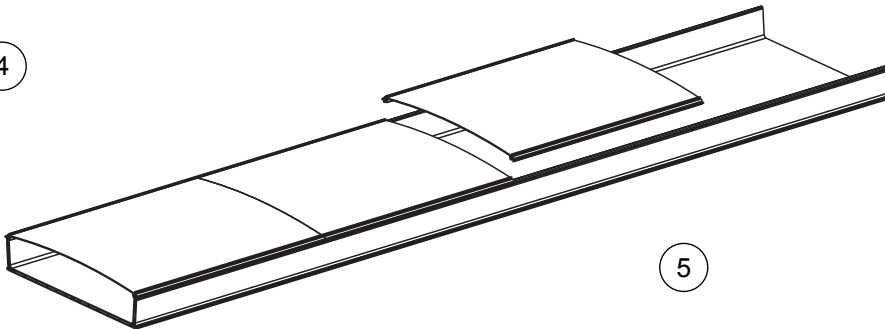
FR24X4



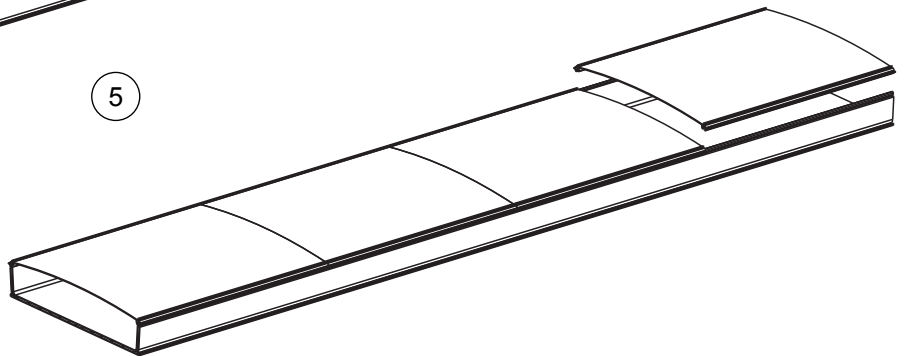
3



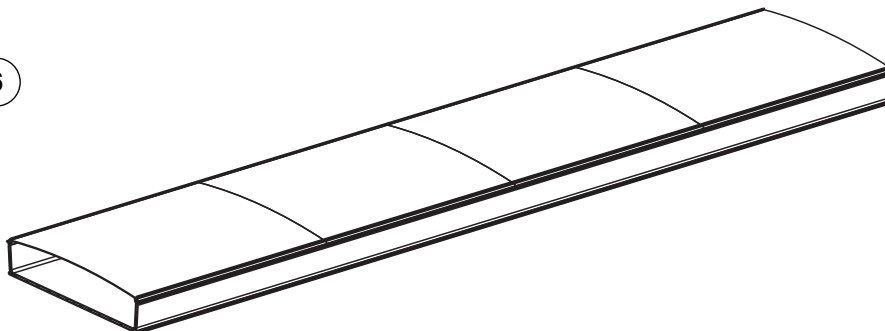
4



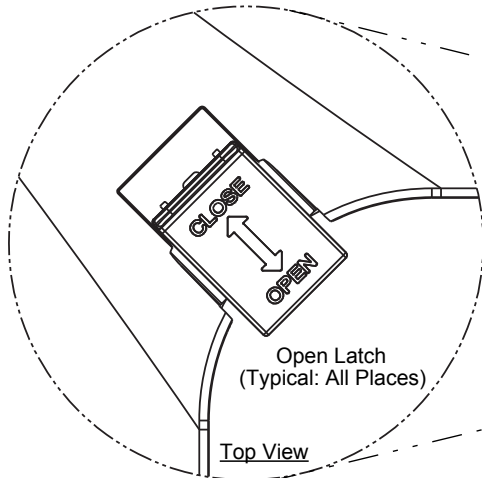
5



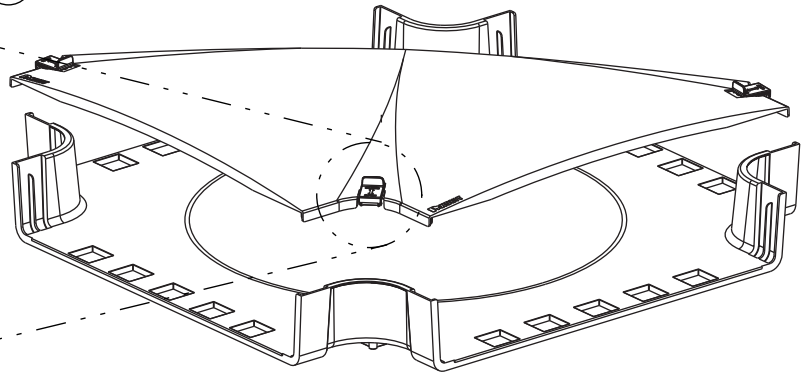
6



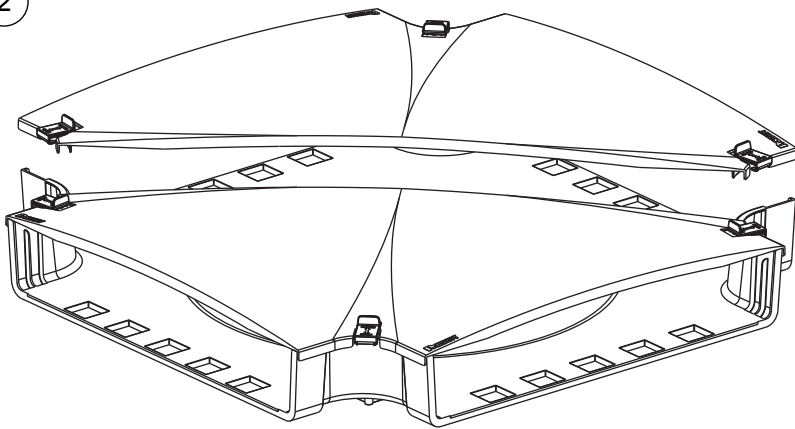
FIBERRUNNER 24x4 Fitting Covers - Typical Installation



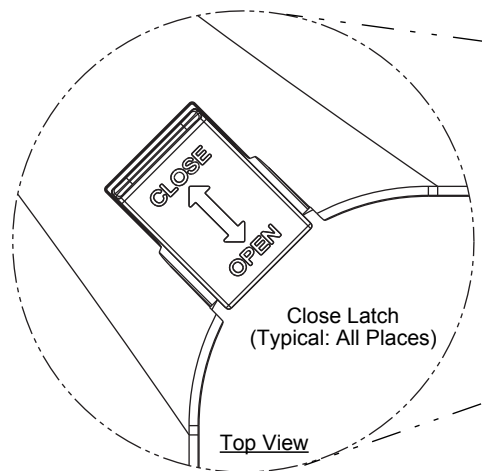
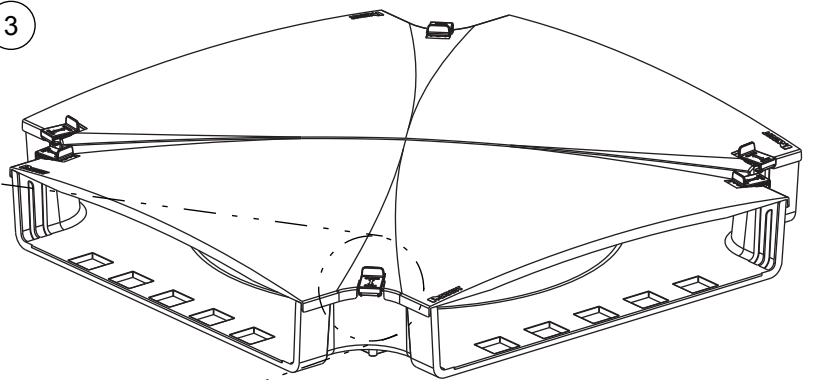
1



2



3



For Instructions in Local Languages  
and Technical Support:  
[www.panduit.com/resources/install\\_maintain.asp](http://www.panduit.com/resources/install_maintain.asp)

**PANDUIT**  
[www.panduit.com](http://www.panduit.com)

E-mail:  
[techsupport@panduit.com](mailto:techsupport@panduit.com)  
Phone:  
866-405-6654