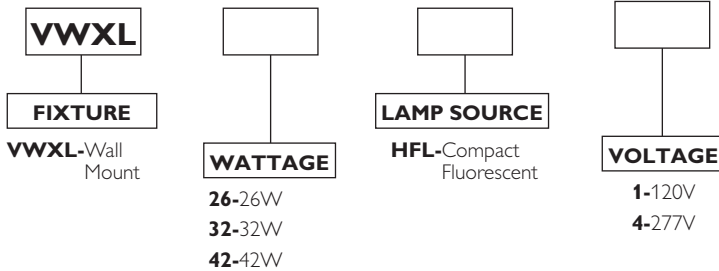


Roughlyte Series 26, 32, 42 Watt (HF) Compact Fluorescent



ORDERING INFORMATION

Catalog Number: Example: VWXL42HFL-1

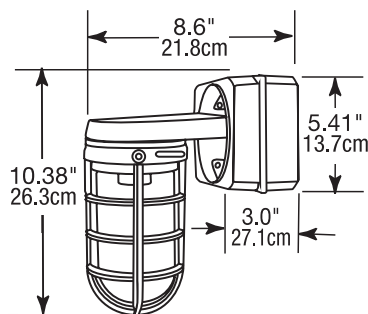


Note: Not for use in hazardous or classified locations. Not for recessed mounting.

ACCESSORIES

Accessories - See catalog

TECHNICAL INFORMATION



PRODUCT SPECIFICATIONS

- Restaurants, Taverns or Night-clubs, Food Courts, Atriums or Plazas, Malls, Retail Outlets, Stores, Athletic Clubs and Facilities, Theaters, Arenas, Stadiums, Amusement Parks.
- Precision die cast aluminum electrical enclosure.
- Die cast aluminum ballast box.
- Heat and shock resistant, prismatic glass optical chamber with neoprene gasketing.
- Corrosion resistant Draplex II polyester powder finish.
- Optional designer finishes available.
- Compact fluorescent ballasts are Electronic HPF >95%, <10% THD.
- PLT four pin base GX24q-3 (26/32W), GX24q-4 (42W).
- Starting temperature: 0°F/-18°C.
- Low glare clear prismatic glass globe standard.
- Approximately 40% uplight.
- UL 1598 listed for wet locations – globe down only.



UL Wet Location Listed.

Roughlyte is a registered trademark of Philips Stonco and is not for use in hazardous areas.