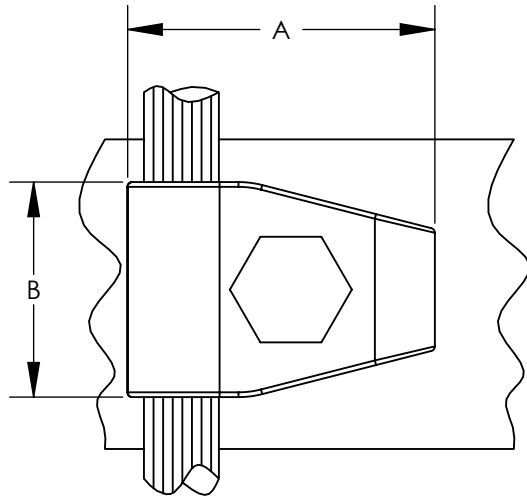


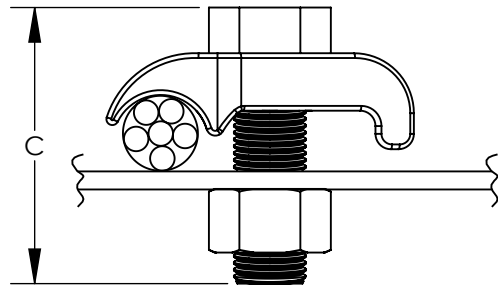
THIS COPY IS PROVIDED ON A RESTRICTED BASIS AND IS NOT TO BE USED IN ANY WAY DETRIMENTAL TO THE INTERESTS OF PANDUIT CORP.




  
 C US
   
 467
   
 LISTED
   
 SUITABLE FOR
   
 DIRECT BURIAL

NOTES:

1. MADE FROM HIGH COPPER CONTENT ALLOY. FURNISHED WITH FULL THREADED SILICON BOLT, NUTS, AND LOCKWASHERS.
2. THESE CONNECTORS ARE UL LISTED FOR GROUNDING AND BONDING, AND DIRECT BURIAL APPLICATIONS.
3. SEE [www.PANDUIT.com](http://www.PANDUIT.com) FOR PACKAGE QUANTITIES.



PANDUIT PART NUMBER	CONDUCTOR RANGE	DIMENSIONS +/- .1 [2.5]						BOLT DIA.
		A		B		C		
		IN	MM	IN	MM	IN	MM	
GMS-1-X	8 SOL. - 4 STR.	1.25	32	1.00	25	1.63	41	0.38
GMS-2-Q	4 SOL. - 2/0 STR.	1.63	41	1.13	28	1.75	44	0.38
GMS-3-Q	2/0 SOL. - 250 kcmil	2.13	54	1.50	38	2.00	51	0.50

REV	DATE	BY	CHK	APR	DESCRIPTION	ECN
05	11/15	JHNU	JHNU	RGB	REVISED WIRE RANGE FOR GMS-3-Q: 2/0 SOL WAS 2/0 STR	N41170BA-C41170

TITLE  
**BRONZE GROUND CLAMP**  
**GMS SERIES**  
 CUSTOMER DRAWING

ITEM REVISION NAME  
 N41170BA/05

DATASET FILE NAME  
 N41170BA-C41170/05.SLDDRW

UNLESS OTHERWISE SPECIFIED,  
 DIMENSIONAL TOLERANCES ARE: IN [mm]  
 .X ± .XXX ±  
 .XX ± ANGLES ±

THIRD ANGLE PROJECTION

MATERIAL  
 SEE NOTES

DRAWING NUMBER  
 C41170

DRAWN BY  
 ED

DATE  
 10/95

CHK  
 WJB

SCALE  
 N/A

SHEET 1 OF 1

SIZE  
 A