

TYPE ATAU

Features

- Manufactured from high strength aluminum alloy
- Electro-tin plated
- Chamfered wire entry
- Anti-rotation bar
- Suitable for use in circuits rated 35KV or less; proper high voltage spacing and insulation techniques must be used
- AL9CU, rated to 90° C

Benefits

- Suitable for use with copper or aluminum conductors
- Provides low contact resistance
- For easy conductor insertion
- Reduces risk of movement at installation
- Application versatility

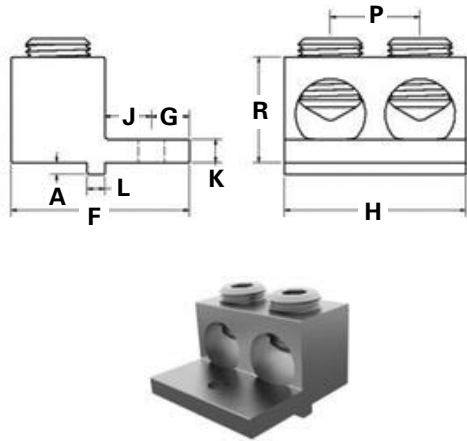


Fig. 1

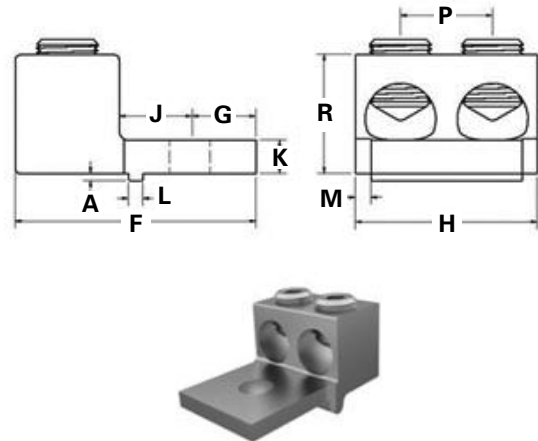


Fig. 2

Catalog Number	Figure Number	Wire Range	Bolt Size	Dimensions - in. (mm)										Hex Size
				H	R	P	M*	F	J	G	K	L	A	
ATAU-2/0-14	1	2/0-14	1/4	1.250 (31.8)	0.787 (20.0)	0.656 (16.7)	N/A	1.468 (37.3)	0.503 (12.8)	0.340 (8.6)	0.187 (4.7)	0.125 (3.2)	0.062 (1.6)	3/16
ATAU-350-14	1	350kcmil-6	1/4	1.938 (49.2)	1.125 (28.6)	0.957 (24.3)	N/A	1.906 (48.4)	0.500 (12.7)	0.406 (10.3)	0.250 (6.4)	0.187 (4.7)	0.125 (3.2)	5/16
ATAU-350-12*	2	350kcmil-4	1/2	1.900 (48.3)	1.250 (31.8)	0.957 (24.3)	0.075 (1.9)	2.875 (73.0)	0.875 (22.2)	0.875 (22.2)	0.250 (6.4)	0.250 (6.4)	0.250 (6.4)	5/16
ATAU-600-12*	2	600kcmil-2	1/2	2.406 (61.1)	1.562 (39.7)	1.219 (31.0)	0.203 (5.2)	3.000 (76.2)	0.938 (23.8)	0.687 (17.4)	0.437 (11.1)	0.187 (4.7)	0.093 (2.4)	1/2

All wire sizes, unless noted otherwise, are American Wire Gauge (AWG)

DE-OX® oxide inhibitor recommended for all aluminum terminations

Tested to UL486A/B, UL File E6207

*Reduced tang design to accommodate physical breaker box mounting limitations