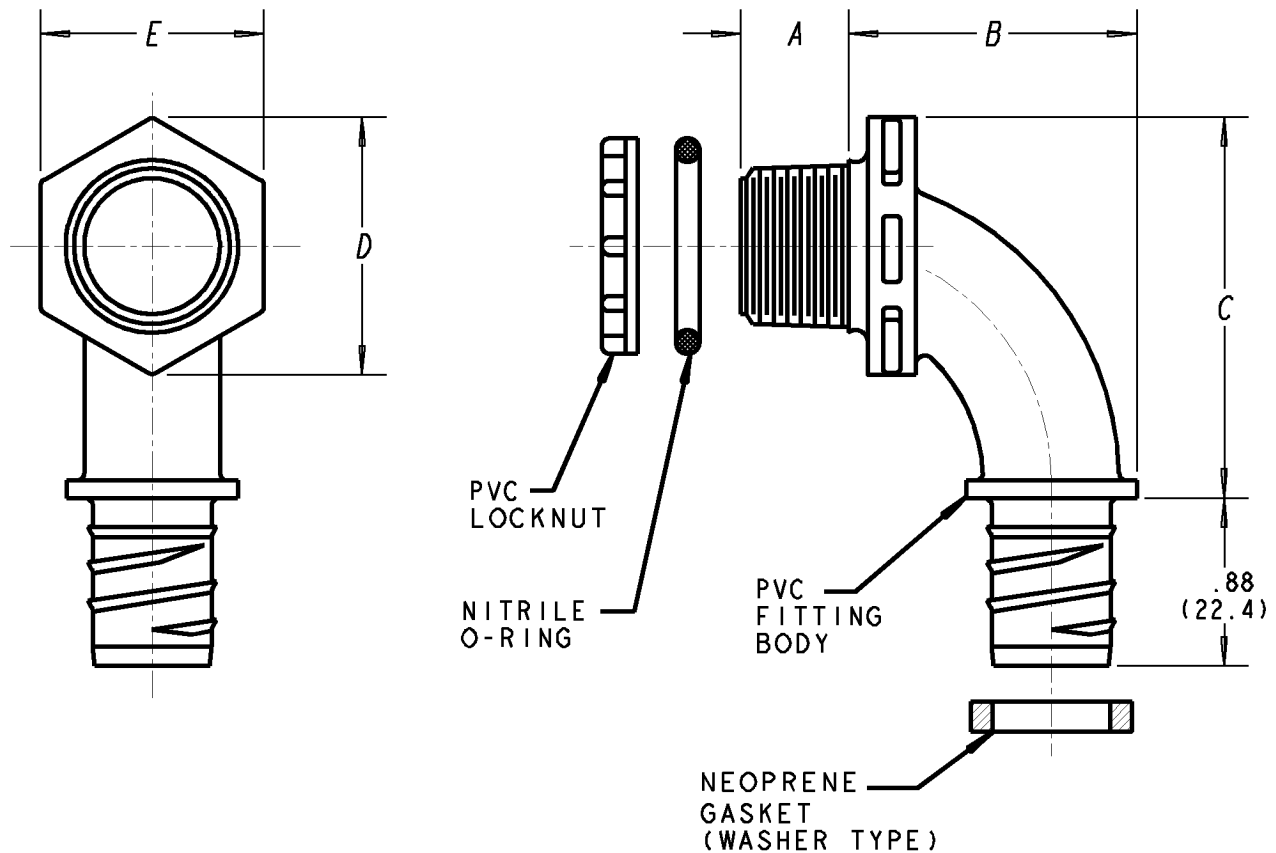


Carlton®

SIZE	PART NUMBER	THREAD SIZE	A	B	C	D	E
1/2"	LN20DA LN20DA-CL LN20DA-CTN LN20DAL	1/2-14NPT	0.56 (14.2)	1.50 (38.1)	1.99 (50.5)	1.34 (34.0)	1.19 (30.2)
3/4"	LN20EA LN20EACL LN20EA-CTN LN20EAL	3/4-14NPT	0.56 (14.2)	1.73 (43.9)	2.25 (57.2)	1.63 (41.4)	1.44 (36.6)
1"	LN20FA LN20FA-CAR	1-11-1/2NPT	0.69 (17.5)	1.86 (47.2)	2.58 (57.9)	1.99 (50.5)	1.75 (44.5)

ASSEMBLY NOTES

1. CUT CONDUIT SQUARE AND CLEAN.
2. PUSH WASHER UP AGAINST STOP ON CONDUIT SIDE OF FITTING.
3. PULL O-RING OVER O-RING GROOVE ON NPT SIDE OF FITTING.
4. SCREW CONDUIT ONTO FITTING UNTIL IT CONTACTS WASHER OVER ENTIRE CIRCUMFERENCE.
5. PLACE FITTING INTO KNOCKOUT AND TIGHTEN LOCKNUT (NOT FITTING).



GENERAL NOTES

1. ALL DIMENSIONS ARE FOR REFERENCE ONLY.
2. DIMENSIONS IN BRACKETS [] ARE IN METRIC UNITS.

REVISIONS

SEE ERN (****) FOR APPROVAL SIGNATURES & RELEASE DATE.
PROJECT NO: ****

Thomas & Betts

www.tnb.com

DESCRIPTION: **90 DEGREE CARFLEX SPIRAL FITTING**

ORIGINAL PROJECT NO / (ERN NO)

/ ()

SHEET NO:

1 OF 1

REV. NO:

D

DRAWING NO:

WSD-AC00828

THIS DRAWING IS INTENDED FOR DESCRIPTIVE PURPOSES ONLY. AND THE RIGHT IS RESERVED TO DEVIATE FROM ANY OF THE DETAILS SHOWN HEREON.

©2008 Thomas & Betts - Proprietary. All Rights Reserved