

SureCross® BWA-Relay



IDEC relays and accessories

The following are the IDEC relays and relay accessories resold by Banner Engineering Corp and recommended for use with the SureCross wireless product line.

Model	Description	IDEC Model
BWA-RELAY-12V	12 volt relay (blade style) and base	RH1B-UDC24V with SH1B-05
BWA-RELAY-24V	24 volt relay (blade style) and base	RH1B-UDC12V with SH1B-05
BWA-RH1B-UDC12V	12 volt relay only, blade style	RH1B-UDC12V
BWA-RH1B-UDC24V	24 volt relay only, blade style	RH1B-UDC24V
BWA-SH1B-05	Relay base only	SH1B-05

RH Series — General Purpose Midget Relays

Key features of the RH series include:

- Compact midget size saves space
- High switching capacity (10A)
- Choice of blade or PCB style terminals
- Relay options include indicator light, check button, and top mounting bracket
- DIN rail, surface, panel, and PCB type sockets available for a wide range of mounting applications



UL Recognized
Files No. RH1 = E66043
RH2 = E66043
RH3 = E66043
RH4 = E55996



CSA Certified
File No. LR35144



File No. B020813332452



E

Relays

Specifications

Contact Material	Silver cadmium oxide
Contact Resistance	50mΩ maximum (initial value)
Minimum Applicable Load	24V DC/30mA, 5V DC/100mA (reference value)
Operating Time	SPDT (RH1), DPDT (RH2): 20ms maximum 3PDT (RH3), 4PDT (RH4): 25ms maximum
Release Time	SPDT (RH1), DPDT (RH2): 20ms maximum 3PDT (RH3), 4PDT (RH4): 25ms maximum
Maximum Continuous Applied Voltage (AC/DC) at 20°C	110% of the rated voltage
Minimum Operating Voltage (AC/DC) at 20°C	80% of the rated voltage
Drop-Out Voltage (AC)	30% or more of the rated voltage
Drop-Out Voltage (DC)	10% or more of the rated voltage
Power Consumption	SPDT (RH1): DC: 0.8W AC: 1.1VA (50Hz), 1VA (60Hz) DPDT (RH2): DC: 0.9W AC: 1.4VA (50Hz), 1.2VA (60Hz) 3PDT (RH3): DC: 1.5W AC: 2VA (50Hz), 1.7VA (60Hz) 4PDT (RH4): DC: 1.5W AC: 2.5VA (50Hz), 2VA (60Hz)
Insulation Resistance	100MΩ min (measured with a 500V DC megger)
Dielectric Strength	SPDT (RH1) Between live and dead parts: 2,000V AC, 1 minute; Between contact circuit and operating coil: 2,000V AC, 1 minute; Between contacts of the same pole: 1,000V AC, 1 minute DPDT (RH2), 3PDT (RH3), 4PDT (RH4) Between live and dead parts: 2,000V AC, 1 minute; Between contact circuit and operating coil: 2,000V AC, 1 minute; Between contact circuits: 2,000V AC, 1 minute; Between contacts of the same pole: 1,000V AC, 1 minute
Frequency Response	1,800 operations/hour
Temperature Rise	Coil: 85°C maximum Contact: 65°C maximum
Vibration Resistance	0 to 6G (55Hz maximum)
Shock Resistance	SPDT/DPDT: 200N (approximately 20G) 3PDT/4PDT: 100N (approximately 10G)
Life Expectancy	Electrical: over 500,000 operations at 120V AC, 10A; (over 200,000 operations at 120V AC, 10A for SPDT [RH1], 3PDT [RH3], 4PDT [RH4]) Mechanical: 50,000,000 operations
Operating Temperature	-30 to +70°C
Weight	SPDT: 24g, DPDT: 37g (approximately) 3PDT: 50g, 4PDT: 74g (approximately)

Ordering Information

Order standard voltages for fastest delivery. Allow extra delivery time for non-standard voltages.

Basic Part No.

RH2B-U

Coil Voltage:

AC110-120V

Part Numbers

Part Numbers: RH Series with Options

Termination	Contact Configuration	Basic Part No.	Indicator Light	Check Button	Indicator Light and Check Button	Top Bracket
B (blade)	SPDT	RH1B-U	RH1B-UL	RH1B-UC	RH1B-ULC	RH1B-UT
	DPDT	RH2B-U	RH2B-UL	RH2B-UC	RH2B-ULC	RH2B-UT
	3PDT	RH3B-U	RH3B-UL	RH3B-UC	RH3B-ULC	RH3B-UT
	4PDT	RH4B-U	RH4B-UL	RH4B-UC	RH4B-ULC	RH4B-UT
V2 (PCB 0.078" [2mm] wide)	SPDT	RH1V2-U	RH1V2-UL	RH1V2-UC	RH1V2-ULC	—
	DPDT	RH2V2-U	RH2V2-UL	RH2V2-UC	RH2V2-ULC	—
	3PDT	RH3V2-U	RH3V2-UL	RH3V2-UC	RH3V2-ULC	—
	4PDT	RH4V2-U	RH4V2-UL	RH4V2-UC	RH4V2-ULC	—

Ratings

Coil Ratings

Rated Voltage	Rated Current ±15% at 20°C								Coil Resistance ±15% at 20°C				
	60Hz				50Hz				SPDT	DPDT	3PDT	4PDT	
	SPDT	DPDT	3PDT	4PDT	SPDT	DPDT	3PDT	4PDT					
AC	6V	150mA	200mA	280mA	330mA	170mA	238mA	330mA	387mA	18.8Ω	9.4Ω	6.0Ω	5.4Ω
	12V	75mA	100mA	140mA	165mA	86mA	118mA	165mA	196mA	76.8Ω	39.3Ω	25.3Ω	21.2Ω
	24V	37mA	50mA	70mA	83mA	42mA	59.7mA	81mA	98mA	300Ω	153Ω	103Ω	84.5Ω
	120V*	7.5mA	11mA	14.2mA	16.5mA	8.6mA	12.9mA	16.4mA	19.5mA	7,680Ω	4,170Ω	2,770Ω	2,220Ω
	240V†	3.2mA	5.5mA	7.1mA	8.3mA	3.7mA	6.5mA	8.2mA	9.8mA	3,1200Ω	15,210Ω	12,100Ω	9,120Ω
DC		SPDT	DPDT	3PDT	4PDT	SPDT	DPDT	3PDT	4PDT	SPDT	DPDT	3PDT	4PDT
	6V	128mA	150mA	240mA	250mA	47Ω	40Ω	25Ω	24Ω				
	12V	64mA	75mA	120mA	125mA	188Ω	160Ω	100Ω	96Ω				
	24V	32mA	36.9mA	60mA	62mA	750Ω	650Ω	400Ω	388Ω				
	48V	18mA	18.5mA	30mA	31mA	2,660Ω	2,600Ω	1,600Ω	1,550Ω				
110V‡	8mA	9.1mA	12.8mA	15mA	13,800Ω	12,100Ω	8,600Ω	7,340Ω					



* For RH2 relays = 110/120V AC.
 † For RH2 relays = 220/240V AC.
 ‡ For RH2 relays = 100/110V DC.

Rated Voltage	Coil Inrush				Coil Inductance								
					Energizing				De-Energizing				
	SPDT	DPDT	3PDT	4PDT	SPDT	DPDT	3PDT	4PDT	SPDT	DPDT	3PDT	4PDT	
AC	6V	250mA	340mA	520mA	620mA	0.09H	0.08H	0.05H	0.05H	0.06H	0.04H	0.03H	0.02H
	12V	120mA	170mA	260mA	310mA	0.037H	0.30H	0.22H	0.18H	0.22H	0.16H	0.12H	0.10H
	24V	56mA	85mA	130mA	165mA	1.5H	1.2H	0.9H	0.73H	0.9H	0.63H	0.5H	0.36H
	120V*	12mA	16mA	26mA	33mA	37H	33H	21H	18H	22H	15H	12H	9H
	240V†	7mA	8mA	12mA	16mA	130H	130H	84H	73H	77H	62H	47H	36H
DC		SPDT	DPDT	3PDT	4PDT	SPDT	DPDT	3PDT	4PDT	SPDT	DPDT	3PDT	4PDT
	6V												
	12V												
	24V	N/A	N/A	N/A	N/A	N/A	N/A	N/A	N/A	N/A	N/A	N/A	N/A
	48V												
110V													



* For RH2 relays = 110/120V AC.
 † For RH2 relays = 220/240V AC.

E
Relays

Ratings con't

Contact Ratings

# of Poles	Max Contact Power		General Ratings		
	Resistive	Inductive	Voltage	Resistive	Inductive*
RH1	AC1540VA DC300W	AC990VA DC210W	AC110	10A	7A
			AC220	7A	4.5A
			DC30	10A	7A
RH2 RH3 RH4	AC1650VA DC300W	AC1100VA DC225W	AC110	10A	7.5A
			AC220	7.5A	5A
			DC30	10A	7.5A



* $\cos\phi = 0.3$
L/R - 7ms

UL Ratings

Voltage	Resistive			General Use			Horse Power Rating	
	RH1, RH2	RH3	RH4	RH1, RH2	RH3	RH4	RH1, RH2 RH3	
AC240V	10A	7.5A	7.5A	7A	6.5A	5A	1/3HP	
AC120V	10A	10A	10A	7A	7.5A	7.5A	1/6HP	
DC30V	10A	10A	—	7A	—	—	—	—
DC28V	10A	10A	10A	7A	—	—	—	—

TÜV Ratings

Voltage	RH1	RH2	RH3	RH4
AC240V	10A	10A	7.5A	7.5A
DC30V	10A	10A	10A	10A

CSA Ratings

Voltage	Resistive				General Use				HP Rating
	RH1	RH2	RH3	RH4	RH1	RH2	RH3	RH4	RH1, 2, 3
AC240V	10A	10A	—	7.5A	7A	7A	7A	5A	1/3HP
AC120V	10A	10A	10A	10A	7.5A	7.5A	—	7.5A	1/6HP
DC30V	10A	10A	10A	10A	7A	7.5A	—	—	—

Relays

Applicable Sockets

Part Numbers: Sockets

Relay	Standard DIN Rail Mount	Finger-Safe DIN Rail Mount	Surface Mount	Panel Mount	PCB Mount
RH1B	SH1B-05	SH1B-05C	—	SH1B-51	SH1B-62
RH2B	SH2B-05	SH2B-05C	SH2B-02	SH2B-51	SH2B-62
RH3B	SH3B-05	SH3B-05C	—	SH3B-51	SH3B-62
RH4B	SH4B-05	SH4B-05C	—	SH4B-51	SH4B-62

Spring & Clips (optional)	
Part Number	Use With
SY2S-02F1 ^③ SFA-101 ^① SFA-202 ^②	SH1B-05, 05C
SY4S-51F1 ^③ SFA-301 ^① SFA-302 ^②	SH1B-51, 62
SY4S-02F1 ^③ SFA-101 ^① SFA-202 ^②	SH2B-05, 05C
SY4S-51F1 ^③ SFA-301 ^① SFA-302 ^②	SH2B-51, 62
SH3B-05F1 ^③ SFA-101 ^① , -202 ^②	SH3B-05, 05C
SY4S-51F1 ^③ SFA-301 ^① SFA-302 ^②	SH3B-51, 62
SH4B-02F1 ^③ SFA-101 ^① , -202 ^②	SH4B-05, 05C
SY4S-51F1 ^③ SFA-301 ^① SFA-302 ^②	SH4B-51, 62



See Section F for details on sockets. All DIN rail mount sockets shown above can be mounted using DIN rail BNDN1000.



- ① Top latch
- ② Side latch
- ③ Pullover spring

Internal Circuits

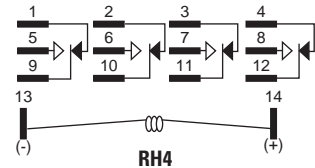
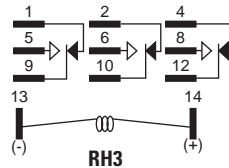
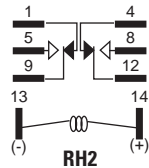
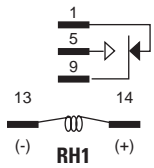
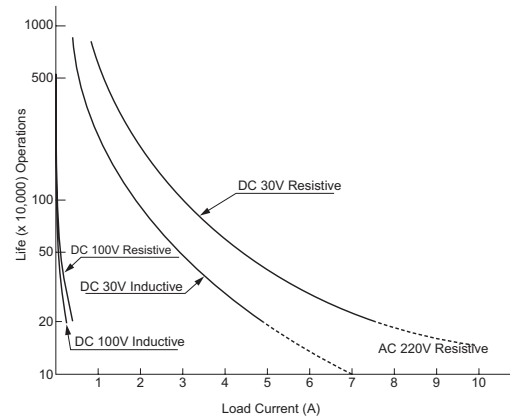
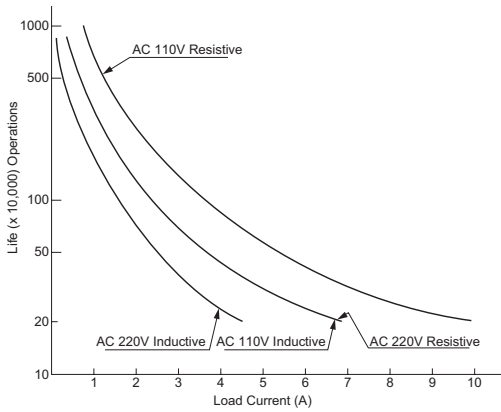


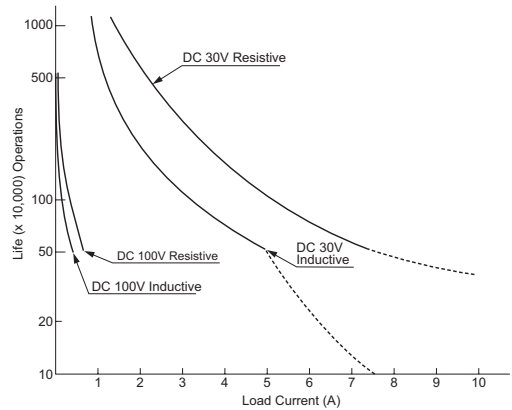
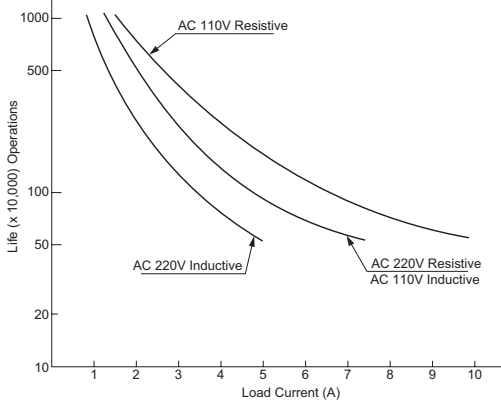
Image as viewed from bottom of relay. Refer to socket for exact wiring layout (Section F).

Electrical Life Curves

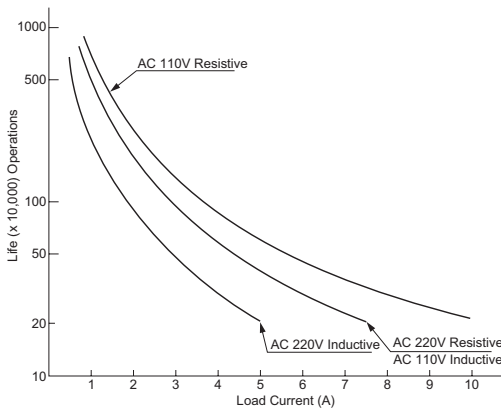
RH1



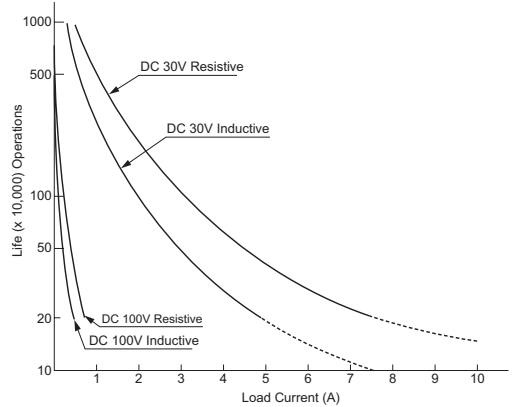
RH2



RH3

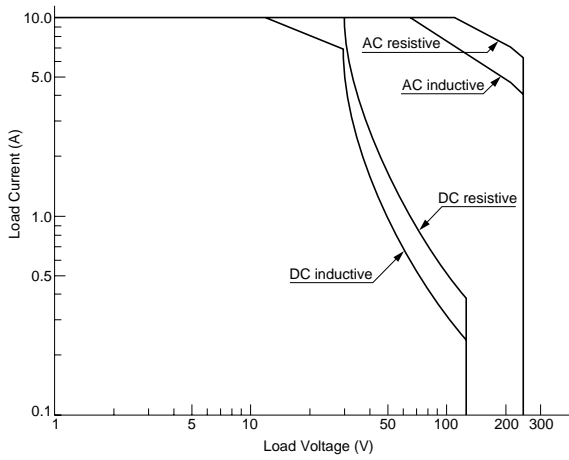


RH4

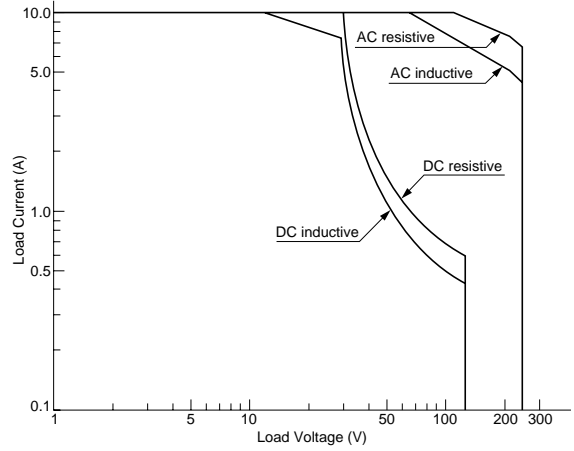


Maximum Switching Capacity

RH1



RH2/RH3/RH4

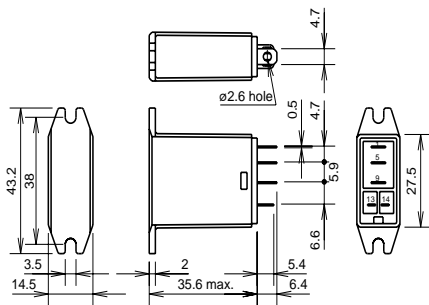


E

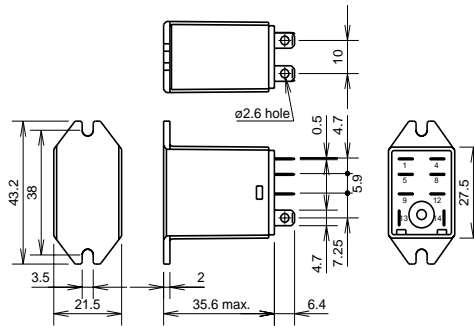
Relays

Dimensions

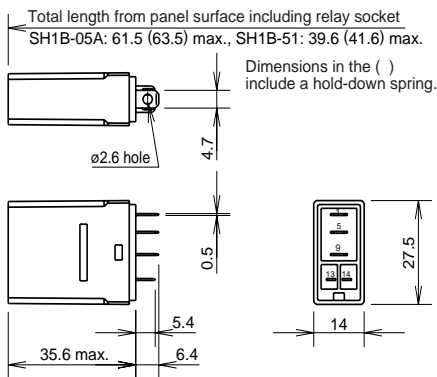
**Top Bracket Mounting
Blade Terminal
RH1B-UT**



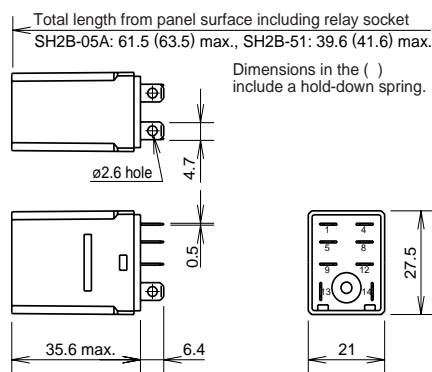
RH2B-UT



**Plug-in Blade Terminal
RH1B**



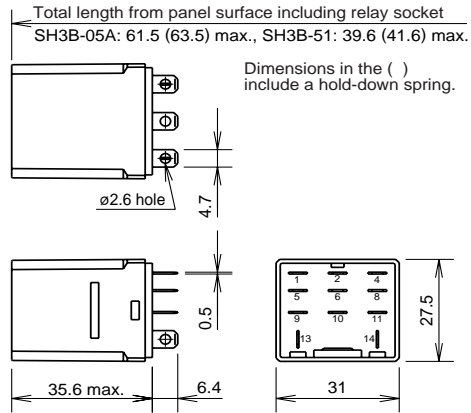
RH2B



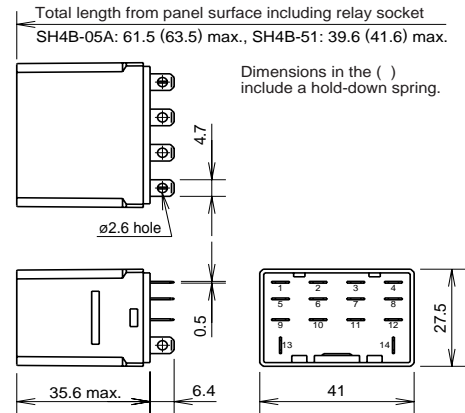
All dimensions in mm.

Dimensions con't

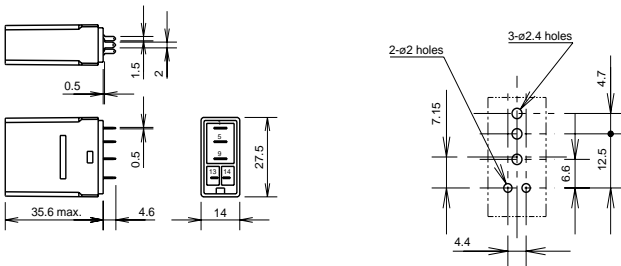
Plug-in Blade Terminal RH3B



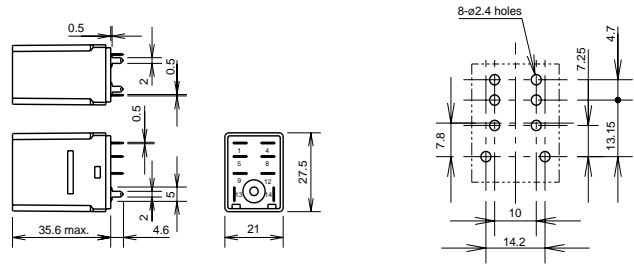
RH4B



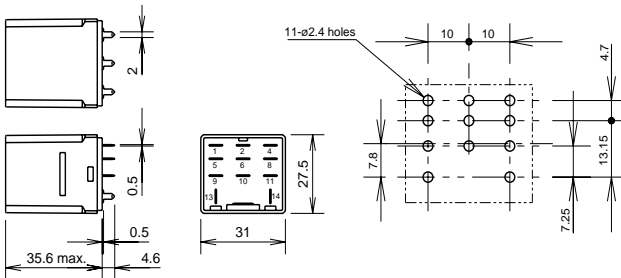
PCB Terminal RH1V2



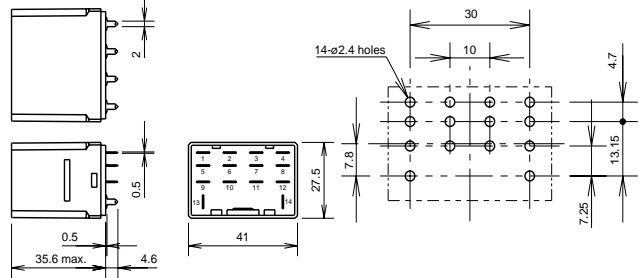
RH2V2



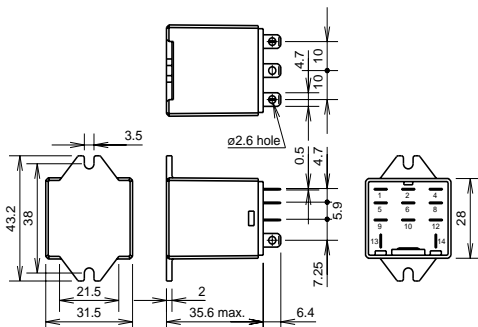
RH3V2



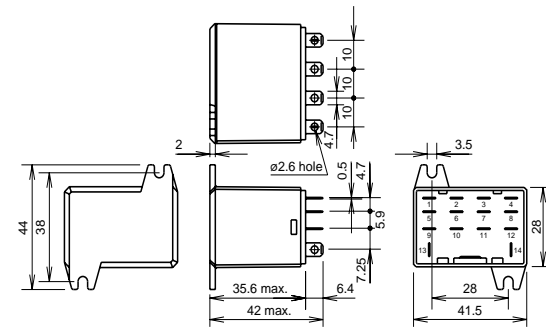
RH4V2



RH3B-UT



RH4B-UT



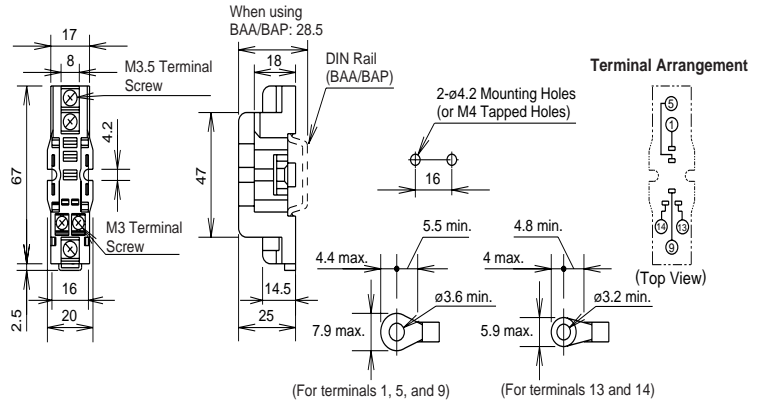
All dimensions in mm.

SH Series: DIN Rail Snap-Mount Sockets

SH1B Sockets



SH1B-05	
Style	5-blade, snap-mount/surface mount
Terminal/Torque	(Coil) M3 screws/(5.5 - 9 in•lbs) (contact) M3.5 screws (9 - 11.5 in•lbs) with captive wire clamp
Wire Size	Maximum up to 2-#12AWG
Electrical Rating	250V, 10A
Compatible Relay	RH1B
Hold-Down Spring	SY2S-02F1
Hold-Down Clip	SFA-101 (top notch), SFA-202 (side notch)



F
Sockets



more sensors, more solutions

Banner Engineering Corp. warrants its products to be free from defects in material and workmanship for one year following the date of shipment. Banner Engineering Corp. will repair or replace, free of charge, any product of its manufacture which, at the time it is returned to the factory, is found to have been defective during the warranty period. This warranty does not cover damage or liability for misuse, abuse, or the improper application of the Banner product.

THIS LIMITED WARRANTY IS EXCLUSIVE AND IN LIEU OF ALL OTHER WARRANTIES WHETHER EXPRESS OR IMPLIED (INCLUDING, WITHOUT LIMITATION, ANY WARRANTY OF MERCHANTABILITY OR FITNESS FOR A PARTICULAR PURPOSE), AND WHETHER ARISING UNDER COURSE OF PERFORMANCE, COURSE OF DEALING OR TRADE USAGE.

This Warranty is exclusive and limited to repair or, at the discretion of Banner Engineering Corp., replacement. **IN NO EVENT SHALL BANNER ENGINEERING CORP. BE LIABLE TO BUYER OR ANY OTHER PERSON OR ENTITY FOR ANY EXTRA COSTS, EXPENSES, LOSSES, LOSS OF PROFITS, OR ANY INCIDENTAL, CONSEQUENTIAL OR SPECIAL DAMAGES RESULTING FROM ANY PRODUCT DEFECT OR FROM THE USE OR INABILITY TO USE THE PRODUCT, WHETHER ARISING IN CONTRACT OR WARRANTY, STATUTE, TORT, STRICT LIABILITY, NEGLIGENCE, OR OTHERWISE.**

Banner Engineering Corp. reserves the right to change, modify or improve the design of the product without assuming any obligations or liabilities relating to any product previously manufactured by Banner Engineering Corp.

The manufacturer does not take responsibility for the violation of any warning listed in this document.



CAUTION. Make no modifications to this product. Any modifications to this product not expressly approved by Banner Engineering could void the user's authority to operate the product. Contact the Factory for more information.

All specifications published in this document are subject to change. Banner reserves the right to modify the specifications of products, prior to their order, without notice. Banner Engineering reserves the right to update or change documentation at any time. For the most recent version of any documentation, please refer to our website: www.bannerengineering.com. © 2006-2012 Banner Engineering Corp. All rights reserved.