

## PVC Coated Elbows

Catalog Number: PRELB-AL-2-1/2X90  
UPC: 784011212972



### Description

#### 2-1/2X90 PVC Coated Standard Elbow – Aluminum

Factory-bent PVC coated elbows are more accurate, quicker to install and more economical because they eliminate field bending time and waste of material. Electrical continuity is maintained across assembled joints.

### Application

- Factory-bent for accurate, quicker to install and eliminates costly field bending and waste of material

### Features

- 40 mil gray PVC exterior coating
- 2 mil red urethane interior coating
- 12 trade sizes from 1/2" through 6"
- Available in standard sizes 90°, 60°, 45°, 30° bends
- Color-coded thread protector caps for quick identification of conduit size

### General

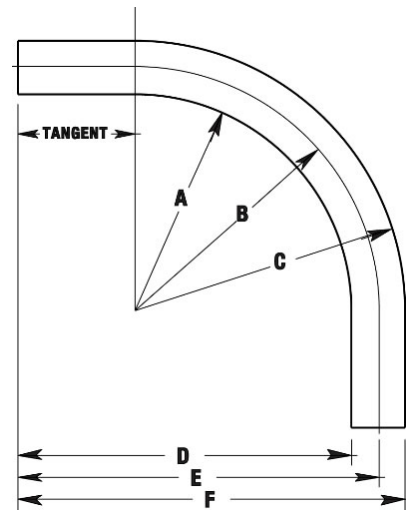
Material:	ALUMINUM
Exterior Finish:	A nominal .040 inch (40 mil) gray PVC coating
Interior Finish:	A nominal .002 inch (2 mil) red urethane
Thread Finish:	A red urethane coating over aluminum
Thread Protector Color:	Black

### Dimensions

Metric Size Designators:	63
Nipple Length (Inches):	28
Diameter - External (Inches):	2.955
Diameter - Internal (Inches):	2.489
Radius A (Inches):	28
Radius B - Standard (Inches):	10.5
Radius C (Inches):	11.98
Offset D (Inches):	14.776
Offset E (Inches):	16.253
Offset F (Inches):	17.731
Tangent (Inches):	5.753

### Technical / Specification Documents

Specification Guide (1995 Master)	AVAILABLE ON WEBSITE
Specification Guide (2004 Master)	AVAILABLE ON WEBSITE
Installer Certification and Tools	AVAILABLE ON WEBSITE
Chemical Resistance Charts	AVAILABLE ON WEBSITE
Performance Specifications	AVAILABLE ON WEBSITE



**Standards**

---

UL 6A:	E98405
--------	--------

---

CSA Certified:	C22.2 No. 45
----------------	--------------

---

**Notes**

---

Both PVC and zinc coatings have been investigated as primary protection against corrosion.

---

Restricted for use with threaded fittings only.

---