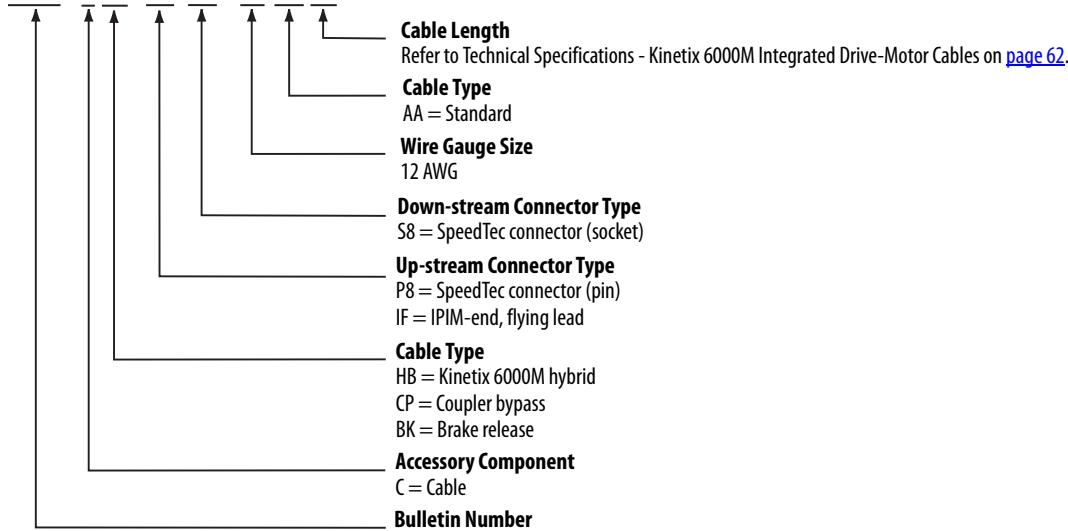


Catalog Numbers - 2090-Series Kinetix 6000M Integrated Drive-Motor Cables

Catalog numbers consist of various characters, each of which identifies a specific option for that component. Use the catalog numbering charts below to understand the configuration of your component.

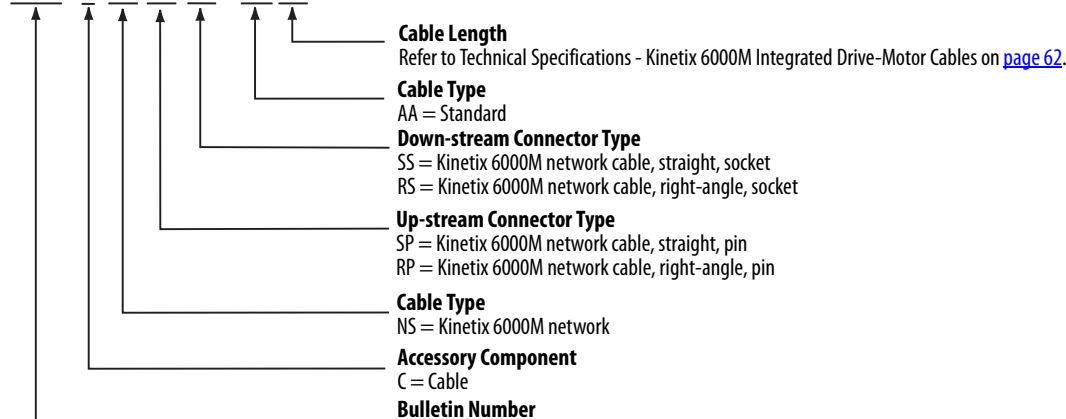
Kinetix 6000M Integrated Drive-Motor Hybrid Cables

2090 - C HB xx S8 - 12 AA xx



Kinetix 6000M Integrated Drive-Motor Network Cables

2090 - C NS xx xx - AA xx



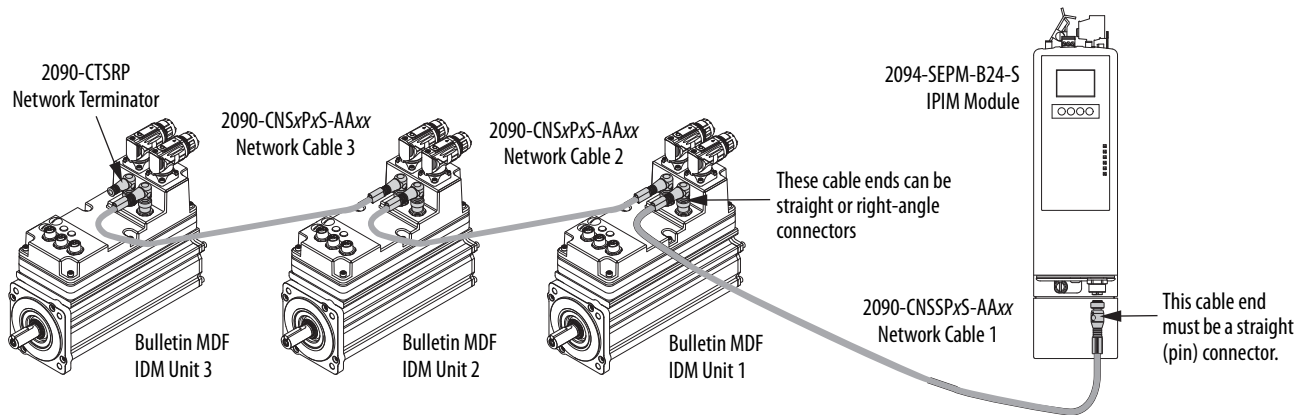
Kinetix 6000M Integrated Drive-Motor Replacement Parts

Cat. No.	Description
2094-XNIPIM-1	Replacement connectors for the IPIM module, includes hybrid DC bus, hybrid communication, safe-off, and enable input
2094-SEPM-FUSE	Replacement fuses for the IPIM module, 6 each, Bussmann part number FWP-50A14Fa
MDF-SB-NODECVR	Replacement covers for the node address switches on the IDM units
1485-M12	Replacement covers for the digital input connectors on the IDM units
2090-CTHP8	Replacement hybrid terminator (hybrid terminator is included with each Kinetix 6000M IPIM module)
2090-CTSRP	Replacement network terminator (network terminator is included with each Kinetix 6000M IPIM module)

Kinetix 6000M Network Cables

Kinetix 6000M network cables provide motion commands to the IDM units. Kinetix 6000M network cables are available in lengths up to 25 m (82 ft). The maximum combined cable length for all axes daisy-chained from the same IPIM module is 100 m (328 ft).

Typical Kinetix 6000M Network Cable Application



For example, in this Kinetix 6000M system, if each cable length was the maximum 25 m (82 ft), the combined cable length would be 75 m (246 ft). The last IDM unit requires a 2090-CTSRP network terminator.

Kinetix 6000M Network Cables

Cat. No.	Description	Cable Configuration	
		Pin	Socket
2090-CNSSPSS-AAxx ⁽¹⁾	<ul style="list-style-type: none"> • Straight connector, pin (SP) • Straight connector, socket (SS) 		
2090-CNSRPRS-AAxx ⁽¹⁾	<ul style="list-style-type: none"> • Right-angle connector, socket (RP) • Right-angle connector, socket (RS) • Not compatible for connection to the IPIM module 		
2090-CNSRPSS-AAxx ⁽¹⁾	<ul style="list-style-type: none"> • Right-angle connector, socket (RP) • Straight connector, socket (SS) • Not compatible for connection to the IPIM module 		
2090-CNSSPRS-AAxx ⁽¹⁾	<ul style="list-style-type: none"> • Straight connector, pin (SP) • Right-angle connector, socket (RS) 		
2090-CBUSPSS	<ul style="list-style-type: none"> • The network cable bulkhead adapter feeds signals through the cabinet wall • Network cables attach on either side 		
2090-CTSRP	<p>Network terminator</p> <ul style="list-style-type: none"> • Required on last IDM unit, right-angle, socket (RP) • Included with each IPIM module 		

(1) Cables are available in standard lengths of 0.5, 1, 2, 3, 4, 5, 7, 9, 12, 15, 20, and 25 m (1.6, 3.2, 6.6, 9.8, 13.1, 16.4, 22.9, 29.5, 39.3, 49.2, 65.5, and 82.0 ft).

IMPORTANT Right-angle (pin) connectors are not compatible for connection to the IPIM module. Only straight (pin) connectors fit properly.

Technical Specifications - Kinetix 6000M Integrated Drive-Motor Cables

Hybrid Cable Specifications

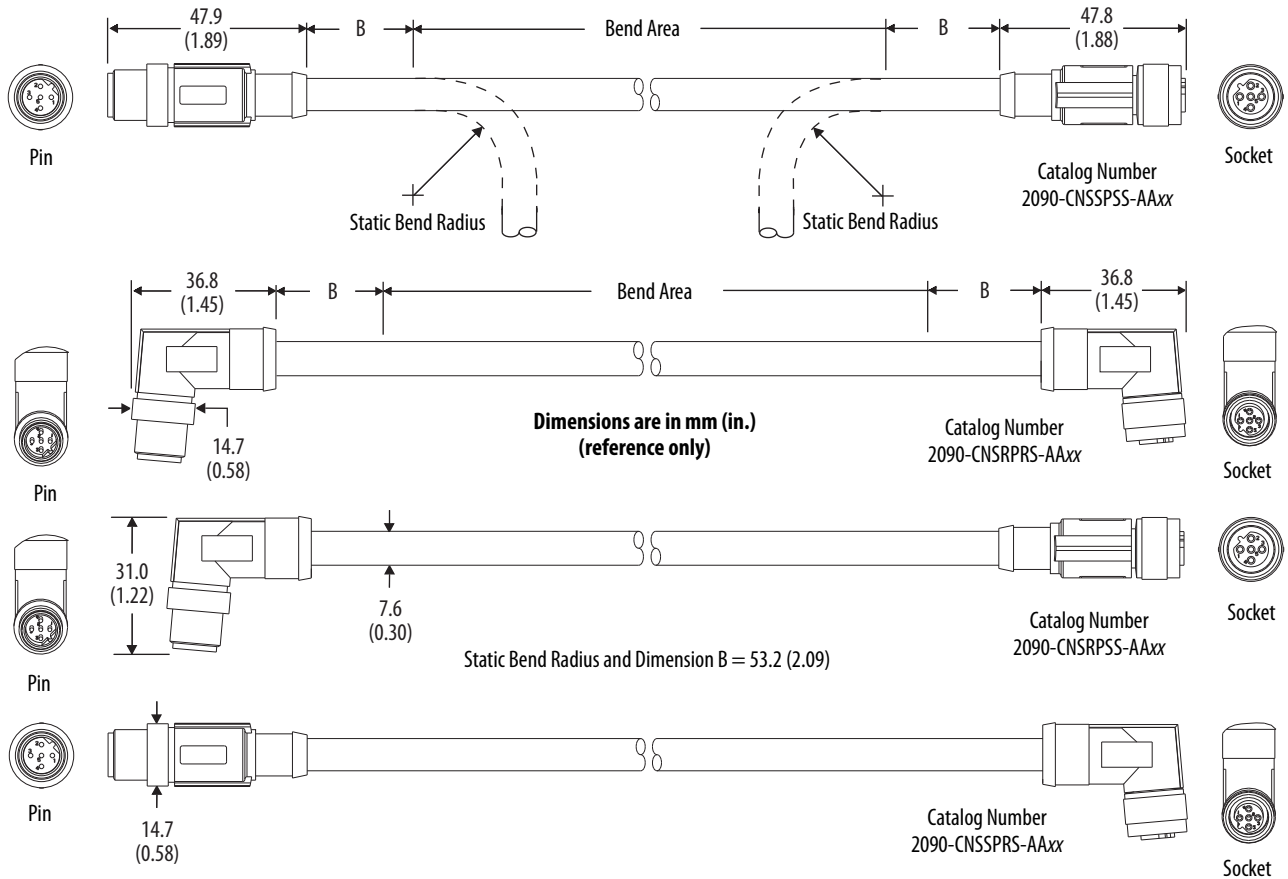
Cable Cat. No.	Cable Type/ Jacket Color	Description	Wire Size AWG	Weight, approx kg/m (lb/ft)	Standard Cable Lengths m (ft)
2090-CHBIFS8-12AAxx ⁽¹⁾	Hybrid cable, Industrial, Orange (DESINA, RAL 2003)	<ul style="list-style-type: none"> Power/signal/communication composite cable, shielded (UL) PLTC-ER FT4 flame rating AWM, 1000V, 105 °C Sun resistant, oil and water resistant 	12, 16, 22	0.36 (0.25)	P5 = 0.5 (1.6) 07 = 7.0 (22.9)
2090-CHBP8S8-12AAxx					01 = 1.0 (3.2) 09 = 9.0 (29.5)
2090-CCPP8S8					02 = 2.0 (6.5) 12 = 12 (39.4)
2090-CBKS8-16AA03		03 = 3.0 (9.8) 15 = 15 (49.2)			
		Two conductor, 600V, cable for motor brake	18	0.12 (0.08)	04 = 4.0 (13.1) 20 = 20 (65.6)
					05 = 5.0 (16.4) 25 = 25 (82.0)
					01 = 1.0 (3.2)
					03 = 3.0 (9.8)

(1) Not available in 0.5 (1.6) cable length (2090-CHBIFS8-12AAP5 is not a valid catalog number).

Network Cable Specifications

Cable Cat. No.	Cable Type/ Jacket Color	Description	Wire Size AWG	Weight, approx kg/m (lb/ft)	Standard Cable Lengths m (ft)
2090-CNSSPSS-AAxx	Network cable, Industrial, Violet (DESINA, RAL 4001)	<ul style="list-style-type: none"> Industrial network cable, shielded (UL) PLTC-ER, Meets or exceeds Data Master/Category 5e Patch Cable electrical characteristics VW-1 flame rating AWM, 1000V, 80 °C, Type CMR, c(UL) Type CMG Sun resistant, oil resistant 	22	0.10 (0.068)	P5 = 0.5 (1.6) 07 = 7.0 (22.9)
2090-CNSRPRS-AAxx					01 = 1.0 (3.2) 09 = 9.0 (29.5)
2090-CNSSPRS-AAxx					02 = 2.0 (6.5) 12 = 12 (39.4)
2090-CNSRPRS-AAxx					03 = 3.0 (9.8) 15 = 15 (49.2)
					04 = 4.0 (13.1) 20 = 20 (65.6)
					05 = 5.0 (16.4) 25 = 25 (82.0)

Dimensions - Kinetix 6000M Network Cables



Dimension B and the static bend radius is 7 times the cable diameter, 53.2 mm (2.09 in.). Refer to Hybrid and Network Cable Bend Radius Definitions on [page 63](#) for more information.

Dimensions - Kinetix 6000M Network Bulkhead Adapter

