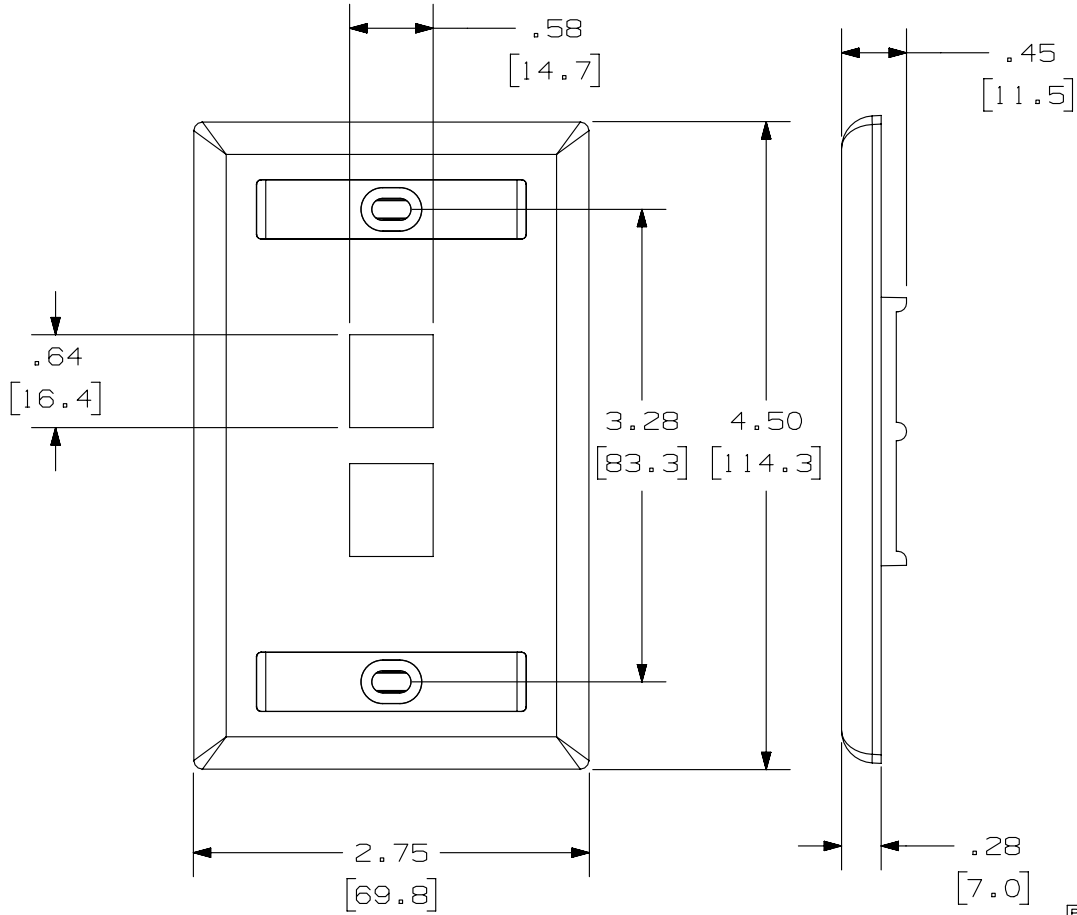


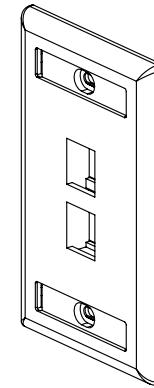
THIS COPY IS PROVIDED ON A RESTRICTED BASIS AND IS NOT TO BE USED IN ANY WAY DETRIMENTAL TO THE INTERESTS OF PANDUIT CORP.



PANDUIT P/N	WEIGHT
NK2F**Y	.49 LB/10 PCS (224 g/10 PCS)

NOTES:

- SEE CURRENT CATALOG FOR ADDITIONAL PART SUFFIXES TO INDICATE COLOR AND OR PACKAGE QUANTITY.
- FACEPLATE WILL ACCEPT TWO STANDARD NETKEY MODULES.
- PART INCLUDES:
  - 1- FACEPLATE
  - 2- MOUNTING SCREW
  - 2- LABEL
  - 2- LABEL COVER
- DIMENSIONS IN [ ] ARE IN METRIC.



PART NUMBER		NK2F**Y	
TITLE			
NETKEY 2 POSITION SINGLE GANG FACEPLATE WITH LABEL			
CUSTOMER DRAWING			
ITEM REVISION NAME		M02479BF/00	
DATASET FILE NAME		M02479BF_DC032/00C	
UNLESS OTHERWISE SPECIFIED, DIMENSIONAL TOLERANCES ARE: IN [ mm ]		MATERIAL:	
.x ± .xx ± .03 [ .8 ]		ABS	
.xxx ± .010 [ .3 ]		DRAWING NUMBER:	
ANGLES ±		02479-032	
THIRD ANGLE PROJECTION		SHT 1 OF 1	
DRAWN BY	DATE	CHK	SCALE
JSP	7-29-06	MJD	NONE
REV	DATE	BY	CHK
2	5-08-14	MDJR	REFR
1	10-28-06	JSP	MJD
R	7-29-06	JSP	MJD
DESCRIPTION		ECN	
B. UPDATED TITLE BLOCK.		02479-032	
A. REVISED INCORRECT PART NUMBER.		02479-032	
RELEASED TO PRODUCTION		02479-032	

D10100DA/14