



Color:  Red

UPC Code: 07847783078

Country Of Origin: Mexico

NEMA:
5-20R



21254-R

Brand Features

Leviton's line of Heavy-Duty Industrial Grade receptacles are available with a number of wiring options and features. The beauty, durability and versatility of Decora® devices and surge suppression receptacles are perfect for a variety of industrial applications.

Item Description

20 Amp, 125 Volt, NEMA 5-20R, 2P, 3W, Industrial Series Extra Heavy Duty Specification Grade, 4-In-1 Receptacle, Straight Blade, Grounding, Steel Strap, - RED

Technical Information

AC Horsepower Ratings

At Rated Voltage: 1 HP

Electrical Specifications

Amperage: 20 A

Current Limiting: Full Rated Current

Dielectric Voltage: Withstands 2000V per UL498

Grounding: Grounding

Pole: 2

Temperature Rise: Max 30C after 50 cycles OL at 150 percent rated current

Voltage: 125 VAC

Wire: 3

Environmental Specifications

Flammability: Rated V-2 per UL94

Operating Temperature: -40C to 60C

Material Specifications

Body Material: Nylon

Color: Red

Face Material: Nylon

Grounding Screw: Plated Steel

Line Contacts: Phosphor Bronze

Strap Material: Galvanized Steel with Riveted Ground Contacts

Terminal Screws: Plated Brass

Mechanical Specifications

Product ID: Ratings are permanently marked on device

Terminal Accom.: 14-12 AWG

Terminal ID: Brass-Hot, Green-Ground, Silver-Neutral

Termination: Side Wire

Torque Range: 12-14 inch pounds

Product Features

Brand: 4-in-1

Color: Red

Device Type: Quadruplex Receptacle Outlet

Grade: Heavy-Duty Industrial Specification Grade

NEMA: 5-20R

Standards and Certifications

ANSI: C-73

CSA C22.2 No. 42: File 152105

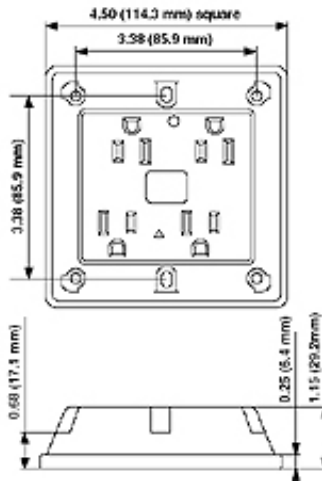
NEMA: WD-1 WD-6

NOM: 057

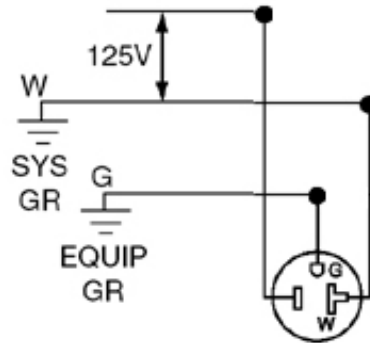
UL498: File E13399

Warranty: 10 Year Limited

Dimensional Diagram



Wiring Diagram



5-20R

SPECIFICATION SUBMITTAL

| | | |
|----------------------|----------------------|----------------------|
| JOB NAME: | CATALOG NUMBERS: | |
| <input type="text"/> | <input type="text"/> | <input type="text"/> |
| JOB NUMBER: | <input type="text"/> | <input type="text"/> |

Leviton Manufacturing Co., Inc.

201 North Service Road, Melville, NY 11747

Teléfono: +1-800-323-8920 · FAX: +1-800-832-9538 · Tech Line (8:30AM-7:30PM E.S.T. Monday-Friday): +1-800-824-3005

Leviton Manufacturing of Canada, Ltd.

165 Hymus Boulevard, Pointe Claire, Quebec H9R 1E9 · Telephone: +1-800-469-7890 ·

FAX: +1-800-824-3005 · www.leviton.com/canada

Leviton S. de R.L. de C.V.

Lago Tana 43, Mexico DF, Mexico CP 11290 · Tel.: (+52)55-5082-1040 · FAX: (+52)5386-

1797 · www.leviton.com.mx

Visit our Website at: www.leviton.com

© 2018 Leviton Manufacturing Co., Inc. Todos los derechos reservados. Subject to change without notice.

Leviton has a global presence.

If you would like to know where your local Leviton office is located please go to:

www.leviton.com/international/contacts/

