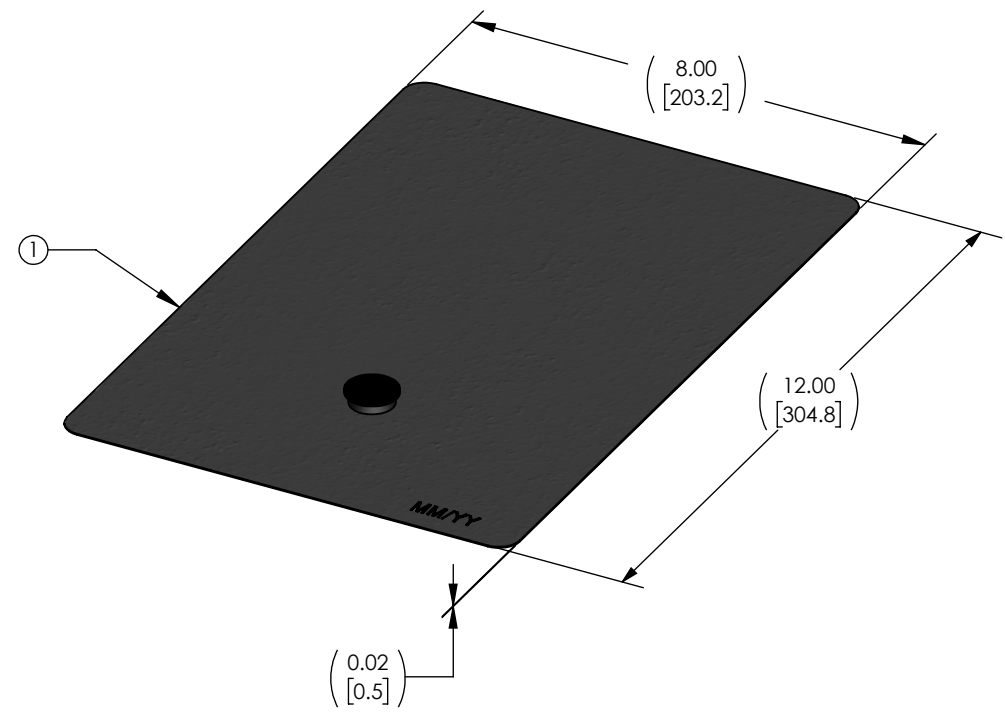


| ITEM NO. | PART NUMBER | DESCRIPTION     | QTY. | REV. |
|----------|-------------|-----------------|------|------|
| 1        | 750041-01   | GF1-GAL-BLK-812 | 1    | A    |

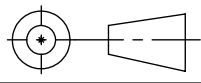
ⓑ

| REVISIONS |                                                                                      |            |          |
|-----------|--------------------------------------------------------------------------------------|------------|----------|
| REV.      | DESCRIPTION                                                                          | DATE       | APPROVED |
| A         | RELEASE TO ESDC FORMAT (ECO #720)                                                    | 03/01/2021 | SO/JPS   |
| B         | ECO#720 REV A REJECTED. REMOVED PART 150002 FROM BOM. SUBMITTED TO ECO#720 AT REV B. | 4/21/2021  | RAD/JPS  |



1. PACKAGE PER "3012010-PCK"  
(GF-1 FLASHING GLV BLK 8X12" 50-PACK INST)

THIRD ANGLE PROJECTION



DO NOT SCALE DRAWING

**PROPRIETARY AND CONFIDENTIAL**  
THE INFORMATION CONTAINED IN THIS DRAWING IS THE SOLE PROPERTY OF ESDC INC. ANY REPRODUCTION IN PART OR AS A WHOLE WITHOUT THE WRITTEN PERMISSION OF ESDC INC. IS PROHIBITED. COPYRIGHT © 2020 ESDC INC.

|                                                    |              |               |
|----------------------------------------------------|--------------|---------------|
| DRAWN                                              | RAD          | 01/27/2021    |
| CHECKED                                            | JPS          | 03/01/2021    |
| ENG APPR.                                          | JH           | 03/01/2021    |
| MFG APPR.                                          | TMD          | 03/01/2021    |
| Q.A.                                               | TD           | 03/01/2021    |
| INTERPRET DIM AND TOLERANCE PER ASME Y14.5[M]-2009 |              |               |
| DIMENSIONS TOLERANCES ARE IN:                      |              |               |
| INCHES.                                            |              | [MILLIMETERS] |
| .XX: +/- .030                                      | .X: +/- .75  |               |
| .XXX: +/- .010                                     | .XX: +/- .25 |               |
| ANGLES: +/- 1°                                     |              |               |

**ESDEC**

INNOVATIVE MOUNTING SYSTEMS

GF-1 FLASHING GLV BLK 8X12"

|            |          |              |
|------------|----------|--------------|
| SIZE       | DWG. NO. | REV.         |
| <b>A</b>   | 3012010  | <b>B</b>     |
| SCALE: 1:1 | WEIGHT:  | SHEET 1 OF 1 |