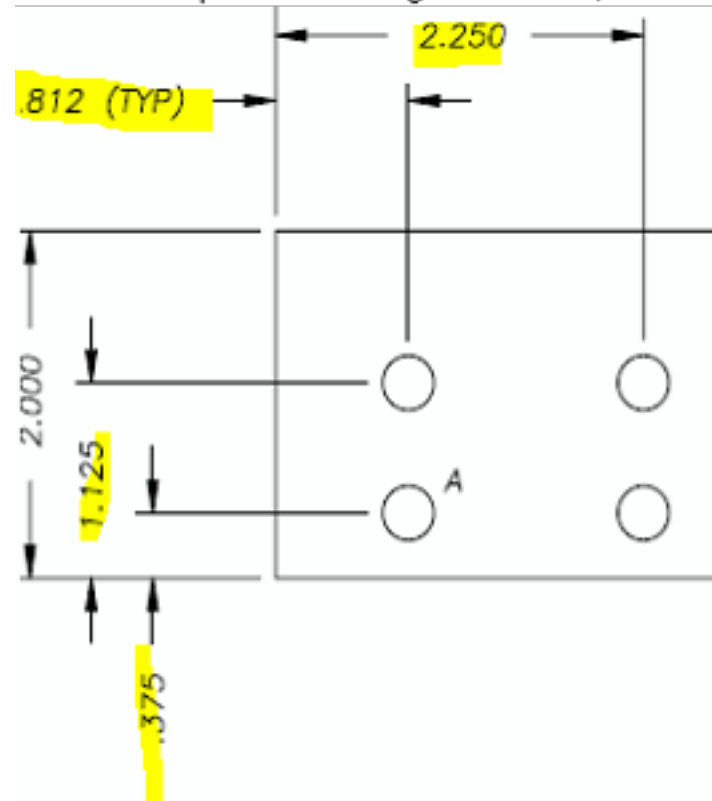


| General | |
|--------------|--------------------------------|
| Catalog: | 324 N |
| Cover Type: | RING TYPE |
| Phase: | 1 PHASE 3 WIRE |
| Feed: | OVERHEAD/UNDERGROUND |
| Jaw: | 4 |
| Bypass: | MCC |
| Rating: | |
| Amps (Max): | 400 |
| Amps (Cont): | 320 |
| Volt (Max): | 600 VAC |
| Construction | |
| Material: | 16GA GALVANIZED STEEL |
| Finish: | PAINTED (STANDARD ANSI-61) |
| 5th Jaw: | NA |
| Standards | |
| NEMA: | 3R |
| Listings: | UL 414 |
| ANSI: | Complies to C12.7 |
| EUSERC: | Complies with 302B |
| Accessories | |
| Replacement: | Meter Ring 25016A |
| Conversion: | H-Base Accessories See Catalog |
| Maintenance: | Jumper Link SJ-100 |
| | Touch Up Paint 84034 |
| | Clear Closing Plate 25162 |

| | | | | | |
|----------------------|--|--|--------------|---------------------------|---|
| <p>COOPER B-Line</p> | <p>UVOT QVOSAOUCY Q O</p> | | <p>GEECO</p> | <p>UWOT QVOSAOUCY Q O</p> | |
| | <p>HG A P</p> <p>U O S O A T O N O U A U O S O N</p> <p>I E E A T U A T O Y E</p> <p>A</p> | | | | <p>U O U E P A O Y K U O X E</p> <p>O O U C E</p> |
| | <p>COOPER B-Line</p> | | | | <p>H D F B I</p> <p>F A U O A F</p> |

Neutral bus pad has through holes in it, as the 1/4-20's thread into the enclosure:



I've attached the submittal drawing for reference, and below is the image for the 1/4-20 hole locations on the bus for the lugs:

