

NX DISTRIBUTED INTELLIGENCE™



Project Name _____

Catalog No. _____ Date _____

The NX Room Controller is a self contained intelligent device that provides standalone room level control. It contains either one or two independently controlled relays. Dimming versions are available that provide one or two 0-10VDC control signal outputs for full range control of dimmable ballasts and LED drivers. The NX Room Controller features SmartPORT™ technology allows auto configuration of occupancy sensors and manual control switches. When devices are plugged into the SmartPORT, the room controller automatically and intelligently responds to the devices to provide the most energy efficient operation.

A free App, available for iOS® or Android™ users, provides a simple but flexible user interface for a variety of room parameters. The App works in conjunction with an optional Bluetooth® radio module connected to a RJ45 port on a device in the room. The optional NXHNB2 Network Adaptor allows additional functions to be accessed via the HubbNET™ network. These include the ability to download schedules for autonomous time based control.

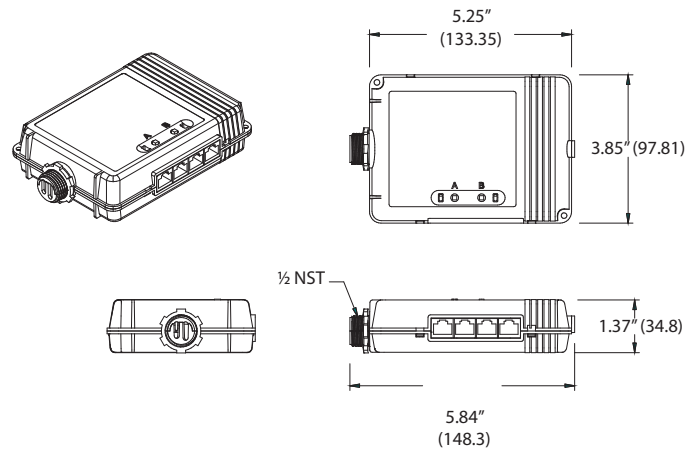
Product Features

- Single or dual relay versions for On/Off
- Zero-cross switching technology extends relay contact life
- Suitable for use with controlled receptacles
- Optional full range dimming control
- Override push button and status LED per relay/dimmer
- Auto configuration support for NX Occupancy Sensors, Daylight Sensors and Smart Switch Stations
- Advanced configuration with NXBTR Bluetooth® Radio Module and smart phone App
- Device intelligently and automatically responds to sensors and switches in the most energy-efficient manner
- Join NX Room Controllers with CAT5 for additional loads
- Schedules are held in the devices themselves (requires optional network connection or NXBTC Bluetooth Radio Module with real time clock)
- Retains data during power outages
- Five-year limited warranty
- 120/277/347VAC universal voltage
- Delivers simplified configuration and control of Hubbell Lighting luminaires using SpectraSync™ color tuning technology

Compliance and Certification



Dimensional Data

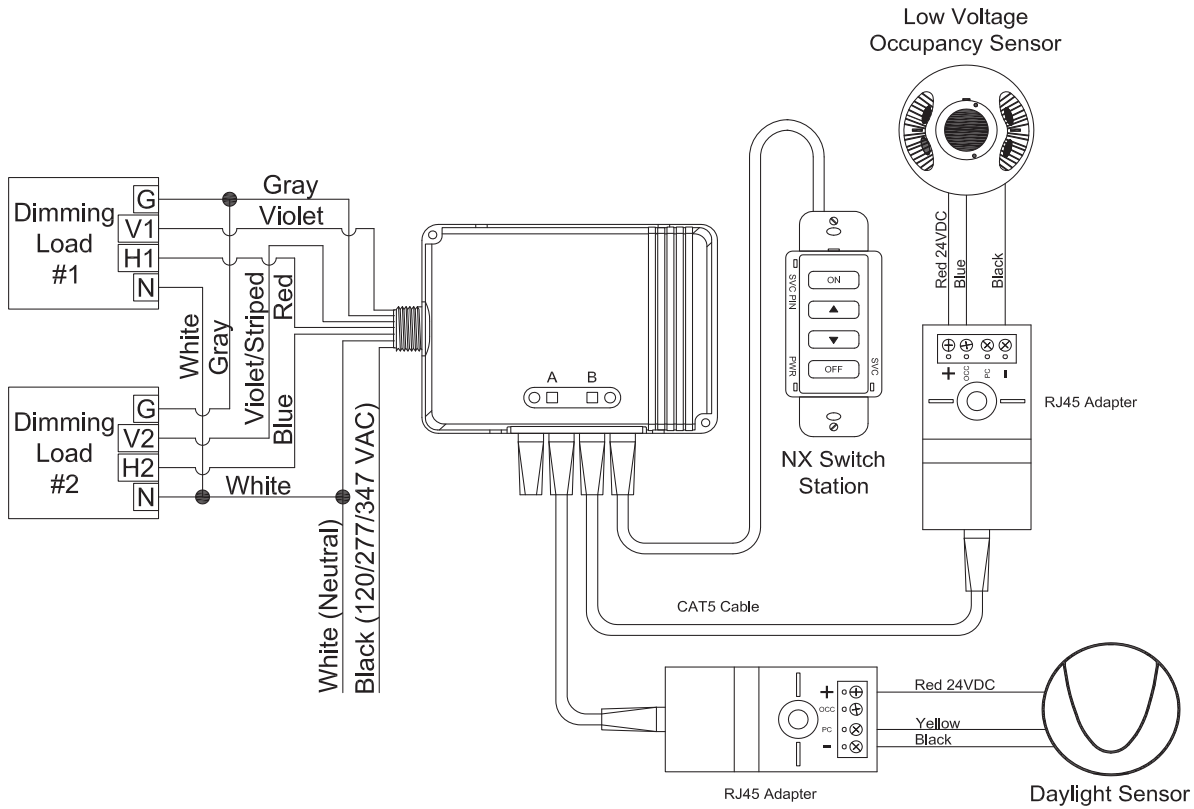


Ordering Information

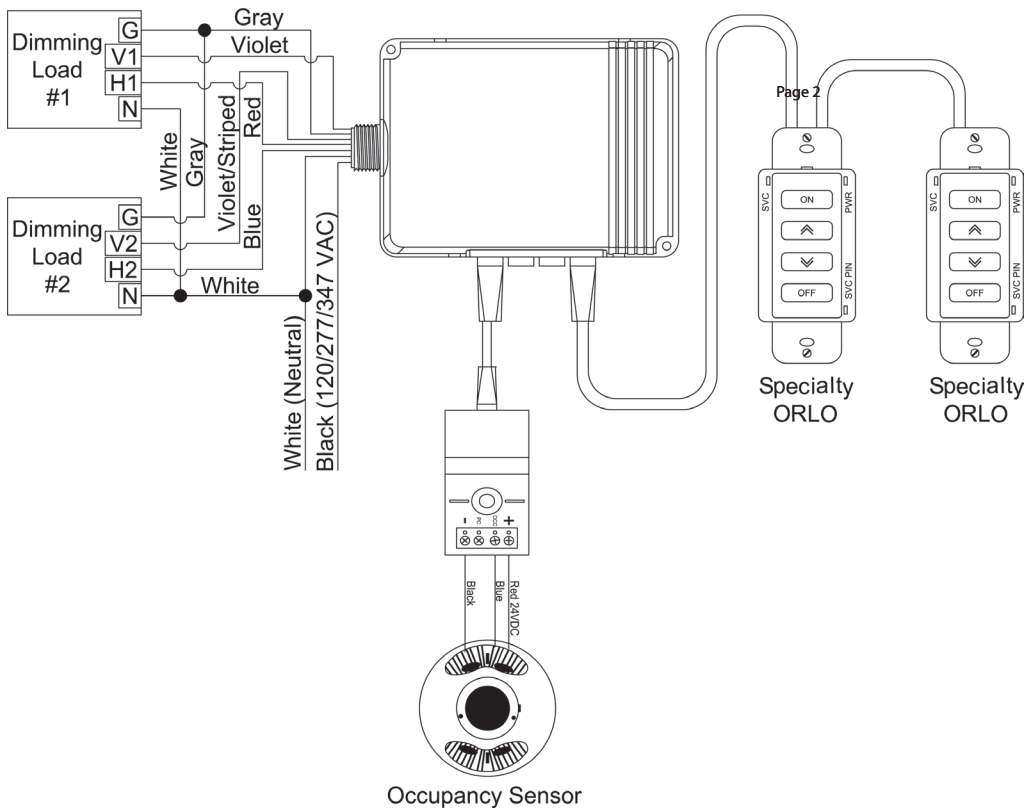
NXRC		VOLTAGE		OPTIONAL ACCESSORY	
MODEL					
NXRC – 1R	NX Room Controller, 1 SPST Switched Output	UNV	120/277/347VAC	UNV	120/277/347VAC
NXRC – 2R	NX Room Controller, 2 SPST Switched Output				
NXRC2 – 1RD	NX Room Controller, 1 SPST Switched, one 0 – 10VDC Dimming Output				
NXRC2 – 2RD	NX Room Controller, 2 SPST Switched, two 0 – 10VDC Dimming Output				

Wiring Diagrams

NX Room Controller (Typical)

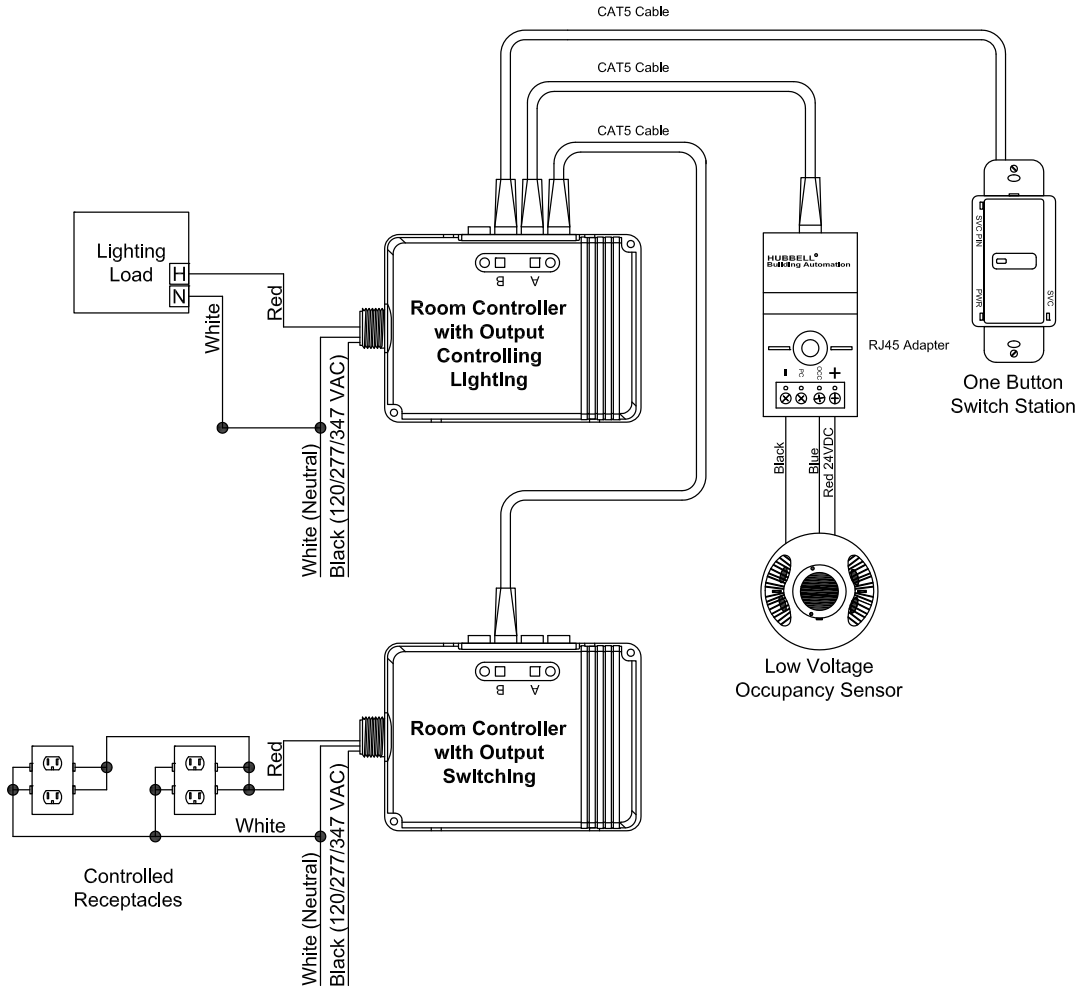


Room Controller 2 Outputs with Dimming

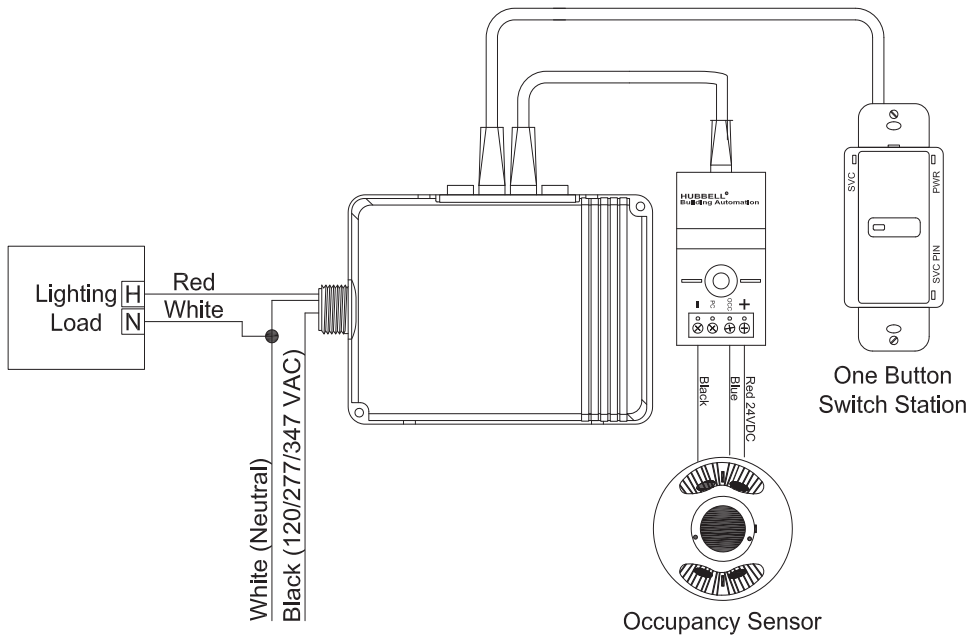


Wiring Diagrams

Room Controller with 2 Output Switching



Room Controller 1 Output Switching Only



General Specifications

Electrical Ratings	<p>Input: 120/277/347VAC, 20A Max, 50/60 Hz Single feed connection regardless of one or two relays</p> <p>Output*: 20A, Tungsten, 120VAC only 20A, Magnetic Ballast 16A, Electronic Ballast 1 H.P. Motor @120V, 3/4 H.P. @277V; 1/2 H.P.@347V *For (2) relay models the maximum combined output of both relays: 20A</p> <p>Low Voltage Ports: Class 2 24VDC, 250mA MAX (all outputs combined) RS485 digital communication</p> <p>Standby Power (W): 120VAC: 1.2 277VAC: 1.5 347VAC: 1.5</p>
Dimming	<p>Class 2 0-10VDC, 60mA per channel For use with low voltage, two-wire dimming ballast and LED drivers</p>
Operating Environment	<p>Operating Temperature: 32°F to 104°F [0°C to 40°C] Relative humidity (non-condensing): 0 to 95%</p>
Construction	<p>Housing: GSM UL Rated 94 HB Plastic</p>
Plenum rated	<p>Complies with requirements fore use in a plenum area Plenum rated for external junction box mounting</p>
Dimensions	<p>5.75"[146.05MM] L x 3.85"[97.79MM]W x 1.30"[33.02MM] H</p>
Weight	<p>4oz [113.4g]</p>
Color	<p>Blue</p>
Mounting	<p>Mounts directly to an external junction box through an extended 1/2" chase nipple</p>
Certifications	<p>Conforms with UL916 and Certified to CAN/CSA C22.2 No. 205-M1983 IC Approved Title 24 compliance</p>
Warranty	<p>Five-year limited</p>