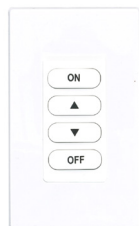




NXSW-OO



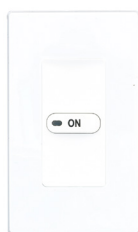
NXSW-ORLO



NXSW-SS



NXSW-RL



NXSW-TO

Project Name _____

Catalog No. _____ Date _____

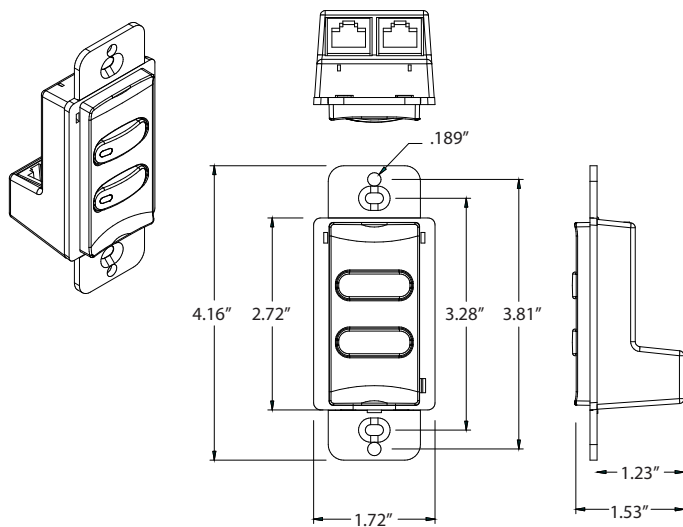
NX Specialty Switch Wall Stations provide manual control of the NX System. Smart Switches are addressable and connect to SmartPORT™ with a standard Cat5e patch cable. Up to eight switches can be connected in series to one SmartPORT. The attractive decorator style form factor allows ganging and use of standard decorator style wall plates.

NXSW series switches are configured for use in NX systems using Manual Configuration from the Room Controller, the NX Device Setup Tool App, or the NXAC Area Controller web browser user interface. All switches have a default operation once connected to a SmartPORT associated with NXRC room controllers or NXFM fixture modules. Switches connected to a NXSP module on a network system will require configuration before they will be operational.

Product Features

- Attractive, architecturally-pleasing decorator style design
- Custom button cap engraving available
- Multiple switch options available
- All switches mount to standard single or multi-gang wall boxes
- Plug and play integration with NX Room Controller
- Five-year limited warranty
- Low voltage device: 24VDC
- Delivers simplified configuration and control of Hubbell Lighting luminaires using SpectraSync™ color tuning technology

Dimensional Data



Ordering Information

NXSW			
MODEL	SWITCH TYPE	COLOR	
NX Specialty Switch	OO On/Off ORLO On/Raise/Lower/Off RL Raise/Lower TO Timed On SS Scene	Blank White IV Ivory LA Light Almond GY Gray BK Black RD Red*	

* Special order only

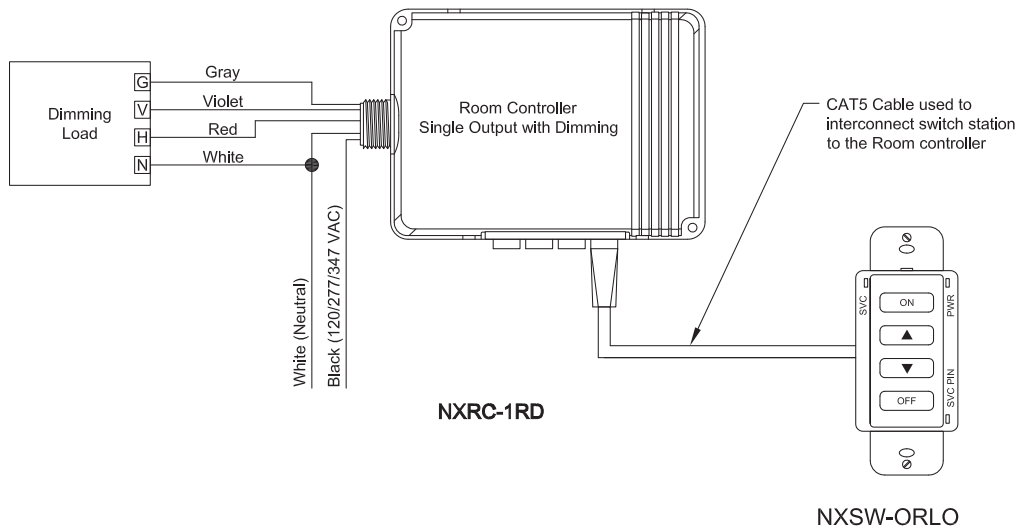
Ordering Information

CAT5 System Cables

--	--

MODEL/DESCRIPTION	
CAT5-3F-OR-PLENUM	CAT5 Cable for NX SmartPORT Devices, Plenum Rated, 3ft, Orange
CAT5-10F-OR PLENUM	CAT5 Cable for NX SmartPORT Devices, Plenum Rated, 10ft, Orange
CAT5-25F-OR PLENUM	CAT5 Cable for NX SmartPORT Devices, Plenum Rated, 25ft, Orange
CAT5-50F-OR PLENUM	CAT5 Cable for NX SmartPORT Devices, Plenum Rated, 50ft, Orange
CAT5-100F-OR PLENUM	CAT5 Cable for NX SmartPORT Devices, Plenum Rated, 100ft, Orange

Wiring Diagrams



Setup and Configuration

Model	Type	Settings
NXSW-ORLO	On/Raise/Lower/Off	Default configuration is to control all 16 groups. Use Manual Configuration or the App to limit the controlled groups. The ON button sends group ON to full dimming level. It can be configured to send a dimming level other than full. The OFF button sends group OFF to minimum dimming level. It can be configured to send a dimming level other than minimum.
NXSW-SS	Scene Switch	Default configuration is to control all relays and dimmers in the connected room or area. The four preset buttons are factory set from top to bottom at 100%, 75%, 50%, and 25% dimming level with a 5 second fade time. All these settings can be changed using the App. The raise/lower buttons will increase or decrease the light level of all dimmed loads that are in the ON state. A single firm press and release of the lower button will turn off all lights controlled by the switch.
NXSW-OO	On/Off Switch	Default configuration is to control relays and dimmers in all 16 groups. The On button sends group ON to full level and the Off button sends group OFF to minimum light level. Relay control is optional. These buttons cannot be configured for any other operation. Use Manual Configuration or the App to limit the number of groups controlled.
NXSW-RL	Dimming Raise/Lower	Default configuration is to control dimmers in all 16 groups. The Raise button increases the level of all dimmable loads that are ON. The Lower button decreases the dimming level. These buttons cannot be configured for any other operation. Use Manual Configuration or the App to limit the number of groups controlled.
NXSW-TO	Timed On	Default configuration is to control relays and dimmers in all 16 groups. The App allows setting the on time from 1 minute to 255 minutes. Default operation is to turn off at the expiration of the on time. There are settings to allow the relay to be included or excluded from the operation. During the on time period, pressing the button for three seconds cancels the timer and initiates the off.

General Specifications

Addressing	Eight position rotary switch
Power Requirements	Powered by NX SmartPORT using plenum rated CAT5 cables (ordered separately)
Standby Power (W)	120VAC: 0.1 277VAC: 0.1 347VAC: 0.4
Operating Environment	Indoor use only Operating Temperature: 32°F to 104°F [0°C to 40°C] Relative humidity (non-condensing): 0 to 95%
Construction	Housing - Rugged, high impact, injection molded plastic
Dimensions	4.2"L [106.68mm] x 1.6"W [40.64mm] x 1.4"D [35.56mm]
Weight	1.6 oz [45.34 g]
Color	White, Ivory, Light Almond, Gray, and Black
Mounting	Switches may be mounted individually in a single gang switch box or ganged together in a multi-gang switch box Decorator-style wall plates available separately
Warranty	Five-year limited