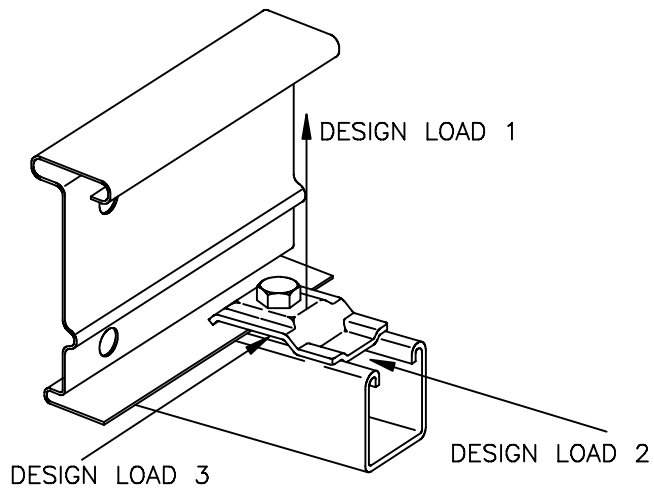
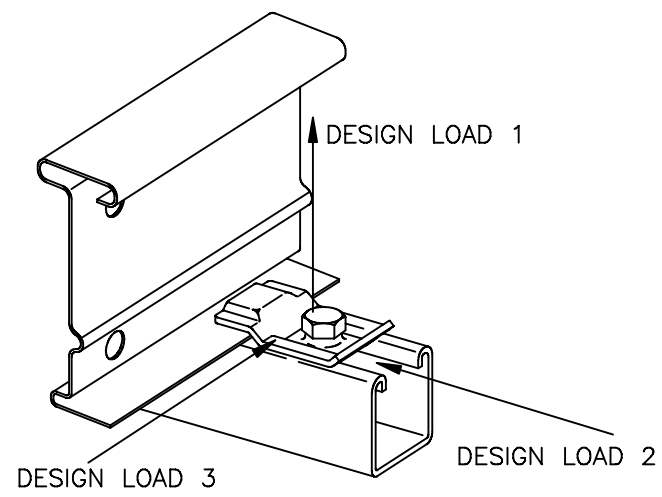


9*-1205/1208
COMBINATION
HOLD DOWN
EXPANSION GUIDE CLAMP



INSTALLED AS A CLAMP



INSTALLED AS A GUIDE

PART NUMBER	CLAMP			GUIDE		
	DESIGN LOAD 1	DESIGN LOAD 2	DESIGN LOAD 3	DESIGN LOAD 1	DESIGN LOAD 2	DESIGN LOAD 3
9ZN-1208	750	460	160	750	460	0
9ZN-1205	770	560	160	770	560	0

* - DESIGN LOADS ARE IN Lbs., SAFETY FACTOR: 3

9ZN-1208	ZINC PLATED
9ZN-1208NB	ZINC PLATED (WITH HARDWARE)
9ZN-1205	ZINC PLATED
9ZV-1205	ZINC PLATED W/ 15 MILS ±5 MILS THICKNESS OF PVC COATING
9G-1205	HOT DIP GALVANIZED (AFTER FAB)
9A-1205	ALUMINUM
9SS6-1205	316 STAINLESS STEEL

THE 9ZN-1208NB INCLUDES: 1 PC. 3/8 X 1 HHCS. ZNPLT
1PC. N228WO ZNPLT

**B-Line
Systems Inc.**

509 WEST MONROE STREET
HIGHLAND, ILLINOIS 62249
PHONE (618)-654-2184

TITLE: 9*-1205/1208
COMBINATION
HOLD DOWN
EXPANSION GUIDE CLAMP

THIS DRAWING IS NOT TO BE USED AS AN
ENGINEERING DRAWING UNLESS CERTIFIED
BELOW.
EQUIPMENT FURNISHED HAS BEEN FABRICATED
IN ACCORDANCE WITH THIS DRAWING.
DATE: _____ BY: _____

PRODUCT DWG. NO'S:

6152

SHEET OF
DRAWN BY: TJC
APP.
DRAWING NO. S6152
DATE: 9/3/97