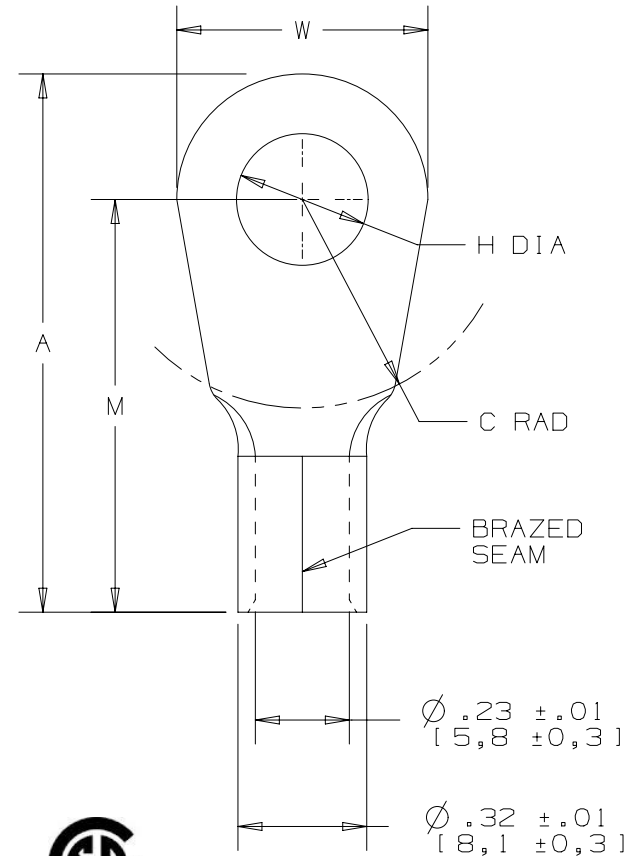


THIS COPY IS PROVIDED ON A RESTRICTED BASIS AND IS NOT TO BE USED IN ANY WAY DETRIMENTAL TO THE INTERESTS OF PANDUIT CORP.

PANDUIT PART NUMBER	STUD SIZE	DIMENSIONS - in [mm]				
		A ± .03 [0,8]	W ± .01 [0,3]	C ± .02 [0,5]	M ± .03 [0,8]	H ± .01 [0,3]
P6-8R	#8	1.21 [30,7]	.47 [11,9]	.43 [10,9]	.97 [24,6]	.17 [4,3]
P6-10R	#10	1.21 [30,7]	.47 [11,9]	.43 [10,9]	.97 [24,6]	.20 [5,1]
P6-14R	1/4"	1.21 [30,7]	.47 [11,9]	.43 [10,9]	.97 [24,6]	.27 [6,9]
P6-56R	5/16"	1.33 [33,8]	.62 [15,8]	.51 [13,0]	1.02 [25,9]	.33 [8,4]
P6-38R	3/8"	1.33 [33,8]	.62 [15,8]	.51 [13,0]	1.02 [25,9]	.39 [9,9]
P6-12R	1/2"	1.43 [36,3]	.82 [20,8]	.51 [13,0]	1.02 [25,9]	.52 [13,2]



NOTES:

- UL LISTED AND CSA CERTIFIED FOR:
 - #6 AWG STRANDED COPPER WIRE
 - 302°F (150°C) MAX TEMP RATING
 - 2000 VOLTS MAX
- SEE WWW.PANDUIT.COM FOR PACKAGE QUANTITIES
- MATERIAL:
 - STAMPING - .045" [1,14] THK COPPER, TIN PLATED
- DIMENSIONS IN BRACKETS ARE IN MILLIMETERS
- WIRE STRIP LENGTH: $7/16" \begin{matrix} +1/32 \\ -0 \end{matrix} [11,1mm \begin{matrix} +0,8 \\ -0 \end{matrix}]$

UL & CSA TOOL, DIES AND NUMBER OF CRIMPS		
TOOL	DIES	NUMBER OF CRIMPS
CT-1701	P6	2
CT-2600	CD-2600-P6	1



TITLE					
#6 BARREL NON-INSULATED RING TONGUE					
CUSTOMER DRAWING					
ITEM REVISION NAME			N41214BB/10		
DATASET FILE NAME			N41214BB/10		
UNLESS OTHERWISE SPECIFIED, DIMENSIONAL TOLERANCES ARE: IN [mm]					PANDUIT MATERIAL: SEE NOTES DRAWING NUMBER: A41214
.X ±		.XXX ±		THIRD ANGLE PROJECTION	
.XX ±		ANGLES ±			
DRAWN BY	DATE	CHK	SCALE	SHT 1 OF 1	
DAW			NONE	A	

REV	DATE	BY	CHK	APR	DESCRIPTION	ECN
10	10/16/18	BWG	BJPU	JADE	REPLACED TABLE WITH NUMBER OF CRIMPS.	041687/00
09	5/17	JHNU	TMR	RGB	ADDED VOLTAGE RATING	N41214BB-A41214
08	07/15	TMR	TMR	RGB	ADDED CT-2600 TO PKG LABEL, ADDED CSA BACK TO DWG, DIE INFO	N41214BB-A41214
07	07/14	MBY	JHNU	RGB	REVISED NOTES, MOVED TOOLS TO TABLE, REVISED CERTIFICATION, UPDATED BORDER	N41214BB-A41214

D1101000DA/16