

# VerifEye™ Mini Meter™ Configured Multiple Meter Units (MMU)



## DEFINITION

VerifEye™ Mini Meter™ Configured Multiple Meter Units (MMUs) are designed for multi-tenant submetering applications in which multiple single phase (120/240V 1PH 3W and 120/208V 2PH 3W) loads are fed from the same power distribution panel to be metered.

MMUs have important advantages over multiple individually housed meters including:

- Smaller mounting footprint
- Reduced hardware requirements (conduit, wire, short circuit protection devices, etc.)
- Reduced installation time
- Individual meters in one enclosure architecture enhances product reliability

Each VerifEye Mini Meter installed in an MMU is a revenue-grade\*, ANSI C12.20-compliant energy meter that is backed by Leviton's best in the industry 5-year warranty. Mini Meter MMUs are NEMA 4X rated and UL Listed, suitable for either indoor or outdoor installations. Each Mini meter has built-in pulse outputs for connection to Automatic Meter Reading equipment as well as on-site kWh displays.

\*Leviton Solid Core Current Transformers are recommended for revenue-grade metering

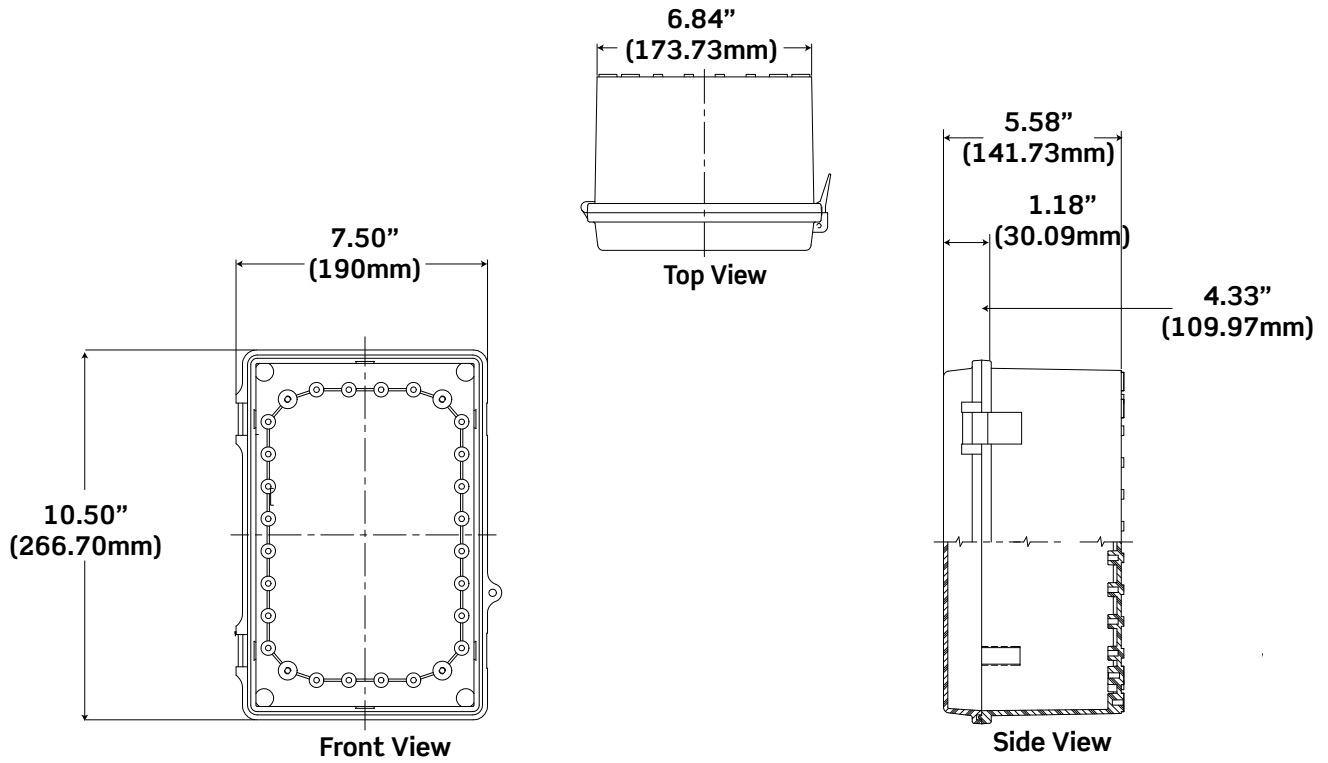
Suitable for both new construction and retrofit applications, Mini Meter (kWh) MMUs are available in 3 sizes:

- **Medium:** Houses 2 to 4 Mini Meters
- **Large:** Houses 5 to 8 Mini Meters
- **Extra-Large:** Houses 9 to 19 Mini Meters

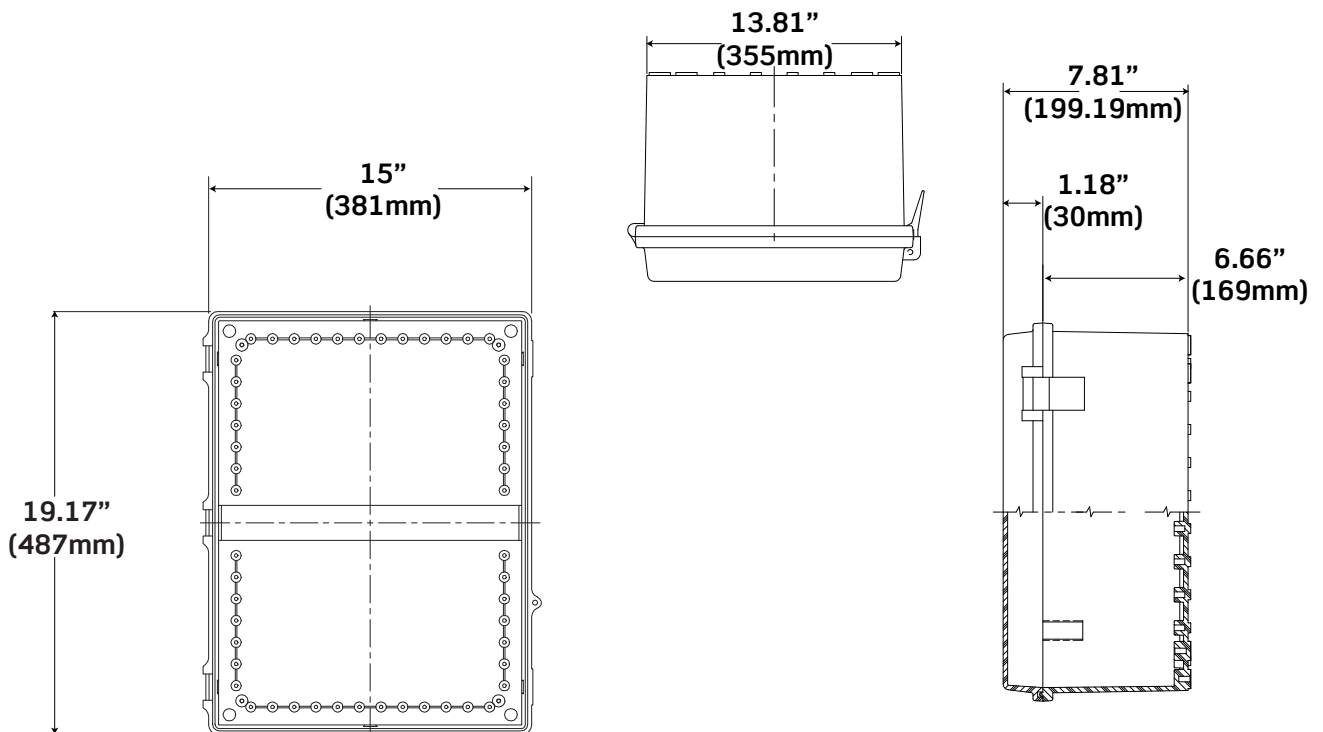
VerifEye MMU configuration forms provide the factory with build information, such as power distribution information (single phase or three phase distribution panel mains), amperage ratings, and MMU and meter labeling information.

# PRODUCT DATA

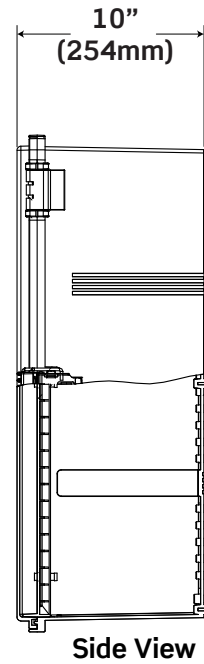
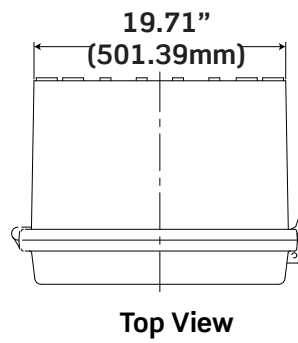
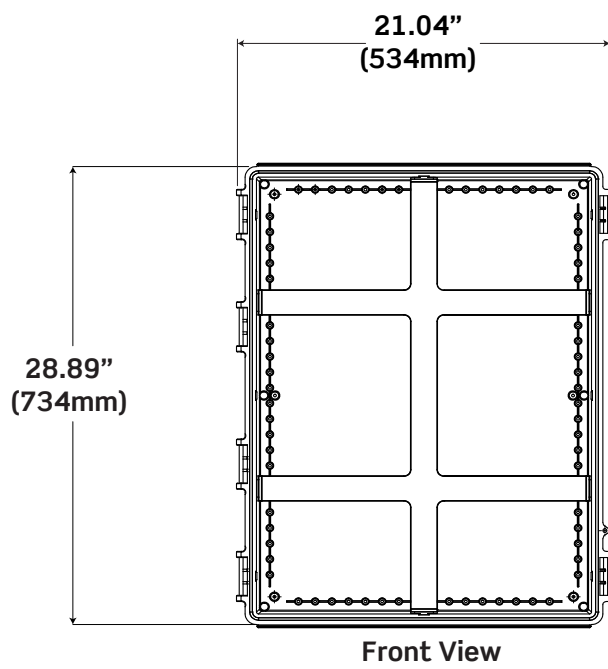
## MEDIUM SERIES MINI METER MMU DIMENSIONS



## LARGE SERIES MINI METER MMU DIMENSIONS



**EXTRA-LARGE SERIES MINI METER MMU DIMENSIONS**



VerifEye™ Mini Meter™ Configured Multiple Meter Unit

# PRODUCT DATA



VerifEye™ Mini Meter™ Configured Multiple Meter Unit

## ORDERING INFORMATION

Voltage	Description	Leviton P/N
<b>MEDIUM MINI METER MMU, 2-4 METERS</b>		
120/208/240V 1PH3W, 3PH 4W	2 Dual Element Meters	6M302-CFG
	3 Dual Element Meters	6M303-CFG
	4 Dual Element Meters	6M304-CFG
<b>LARGE MINI METER MMU, 5-8 METERS</b>		
120/208/240V 1PH3W, 3PH 4W	5 Dual Element Meters	6L305-CFG
	6 Dual Element Meters	6L306-CFG
	7 Dual Element Meters	6L307-CFG
	8 Dual Element Meters	6L308-CFG
<b>EXTRA-LARGE MINI METER MMU, 9-19 METERS, NEMA 4X ENCLOSURE</b>		
120/208/240V 1PH3W, 3PH 4W	9 Dual Element Meters	6X309-CFG
	10 Dual Element Meters	6X310-CFG
	11 Dual Element Meters	6X311-CFG
	12 Dual Element Meters	6X312-CFG
	13 Dual Element Meters	6X313-CFG
	14 Dual Element Meters	6X314-CFG
	15 Dual Element Meters	6X315-CFG
	16 Dual Element Meters	6X316-CFG
	17 Dual Element Meters	6X317-CFG
	18 Dual Element Meters	6X318-CFG
19 Dual Element Meters	6X319-CFG	
<b>Optional Integrated Communications Devices</b>		
-	High Density Pulse Module, 23 Inputs with 24VDC power supply - Only available integrated in Large Mini Meter MMU***	A8911-MML**
-	High Density Pulse Module, 23 Inputs with 24VDC power supply - Only available integrated in Extra Large Mini Meter MMU***	A8911-MMX**
-	Modhopper - Only available integrated in Large or Extra Large Mini Meter MMU with A8911 HD Pulse Module.***	R9120-MMU**

### The following products are also part of the VerifEye line of integrated metering solutions:

- Series 1000 Meters
- Series 2000 Meters
- Series 3500 Meters
- Series 4000/4100 Meters
- Series 8000 Multi-Point Meters
- 0.5% Mini Meters
- Mini Meters
- Multiple Meter Units (MMUs)
- Current Transformers (CTs)
- BillSuite
- Energy Management Monitoring Software

**NOTE:** All MMU orders require submittal of a Configuration Form. Please visit [www.leviton.com/meters](http://www.leviton.com/meters) to download and submit.

\*Current transformers (CTs) sold separately; see the Leviton CT data sheet for ordering information

\*\* See individual product data sheet for specifications

\*\*\* See Mini Meter MMU configuration form for integration options

### Leviton Manufacturing Co., Inc. Lighting & Controls

20497 SW Teton Avenue, Tualatin, OR 97062 **tel** 800-736-6682 **tech line** (6:00AM-4:00PM PT Mon-Fri) 800-959-6004

### Leviton Manufacturing Co., Inc. Global Headquarters

201 North Service Road, Melville, NY 11747-3138 **tel** 800-323-8920 **tech line** (8:30AM-7:00PM ET Mon-Fri) 800-824-3005

Visit our Website at: [www.leviton.com/verifeye](http://www.leviton.com/verifeye)

©2021 Leviton Manufacturing Co., Inc. All rights reserved. Subject to change without notice.

G-8795D/B21-aja  
REV FEB 2021