

## Straight Fittings

- For use with Carflex® conduit and Carflex® X-Flex™ conduit

Image 1



Assembly

Image 2



Compression Nut

Fitting Body

Extended Threads

Nitrile Rubber O-Ring

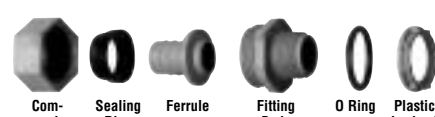
Metal Locknut

Image 3



Assembly

Image 4



Compression Nut

Sealing Ring

Ferrule

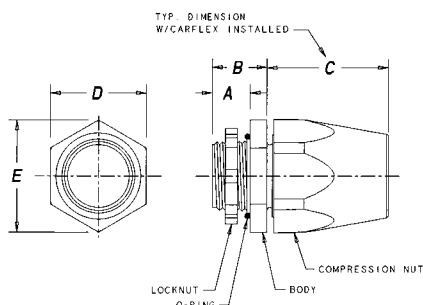
Fitting Body

O Ring

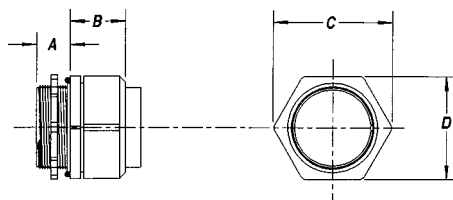
Plastic Locknut

## Features

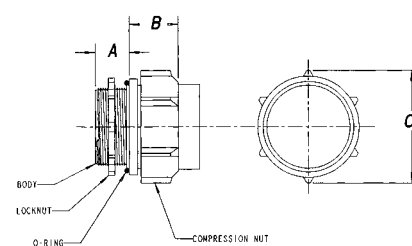
- Nonconductive and Noncorrosive
- Resistant to oil, acid, ozone, and alkaline
- Easy to install
- Nitrile rubber "O" ring for a liquidtight termination
- Temperatures up to 225°F (107°C)
- Meets UL Standard 514B



LT43C-CAR, LT43D-NEW, LT43E-NEW, LT43F



LT43G, LT43H



LT43J

## Specifications



| Part No.  | Size (in.) | Std. Ctn. Qty. | Std. Ctn. Wt. (lbs.) | A (inches) | B (inches) | C (inches) | D (inches) | E (inches) | Refer to Image |
|-----------|------------|----------------|----------------------|------------|------------|------------|------------|------------|----------------|
| LT43C     | 3/8        | 50             | 3.6                  | .55        | .75        | 1.60       | 1.30       | 1.40       | 1, 2           |
| LT43C-CAR | 3/8        | 15             | 1.4                  | .55        | .75        | 1.60       | 1.30       | 1.40       | 1, 2           |
| LT43D-NEW | 1/2        | 50             | 4.2                  | .56        | .91        | 1.62       | 1.30       | 1.40       | 1, 2           |
| LT43E-NEW | 3/4        | 50             | 6.6                  | .56        | .91        | 1.88       | 1.61       | 1.71       | 1, 2           |
| LT43F     | 1          | 25             | 5.5                  | .70        | 1.00       | 2.20       | 1.90       | 2.04       | 1, 2           |
| LT43G     | 1-1/4      | 5              | 1.5                  | .71        | 1.16       | 2.50       | 2.17       |            | 3, 4           |
| LT43H     | 1-1/2      | 5              | 2.0                  | .75        | 1.36       | 2.78       | 2.43       |            | 3, 4           |
| LT43J     | 2          | 5              | 2.5                  | 1.00       | 1.45       | 3.33       |            |            | 3, 4           |