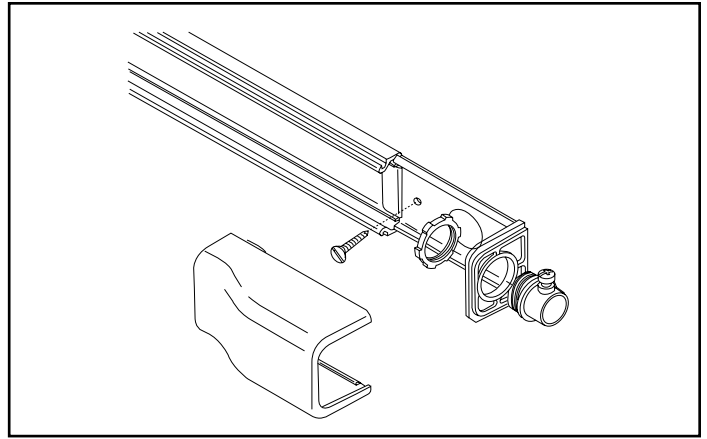


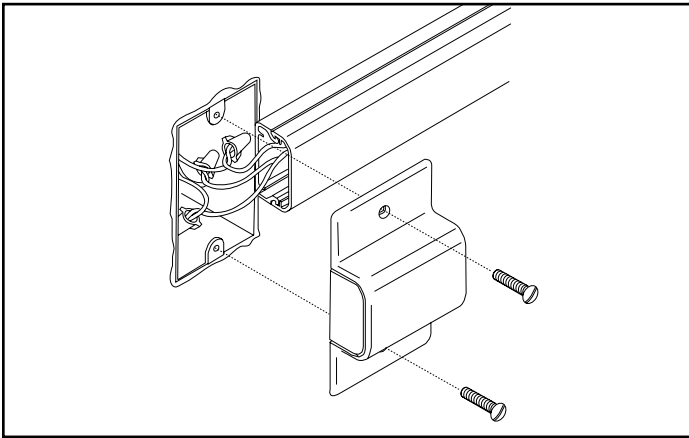


# Plugmold Plus™ NM2000 Fittings INSTALLATION INSTRUCTIONS

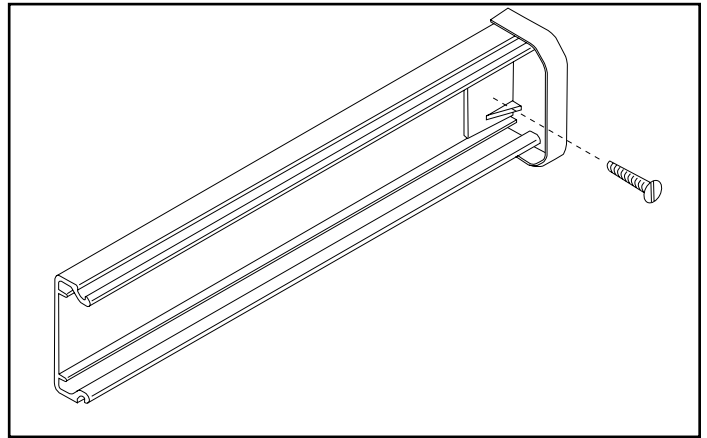
Wiremold Electrical Systems conform with, and should be installed and properly grounded in compliance with requirements of the current National Electrical Code or codes administered by local authorities. All electrical products may represent a possible shock or fire hazard if improperly installed or used. Wiremold electrical products are UL listed, and made for interior use.



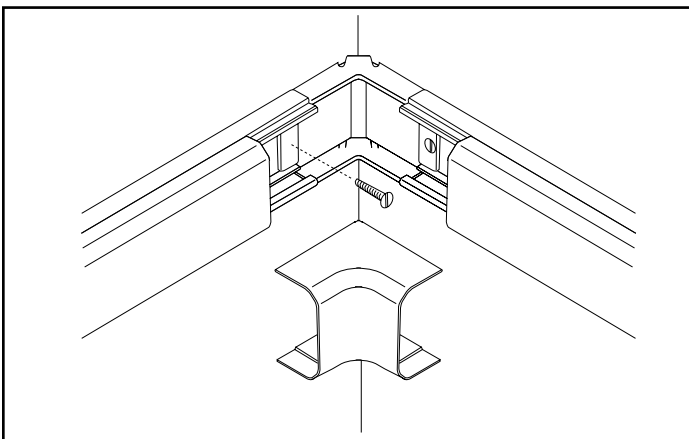
NM2010A Entrance End Fitting



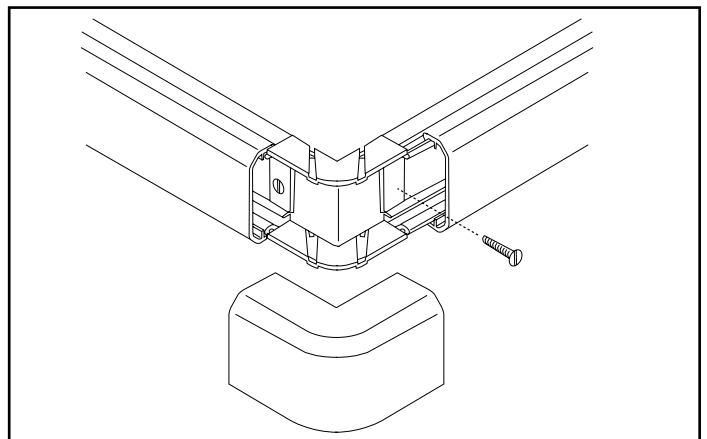
NM2051H (Shown) Wall Box Adaptor



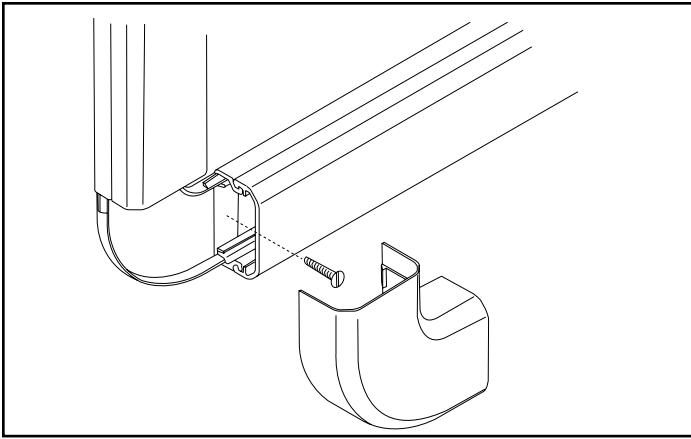
NM2010B Blank End Fitting



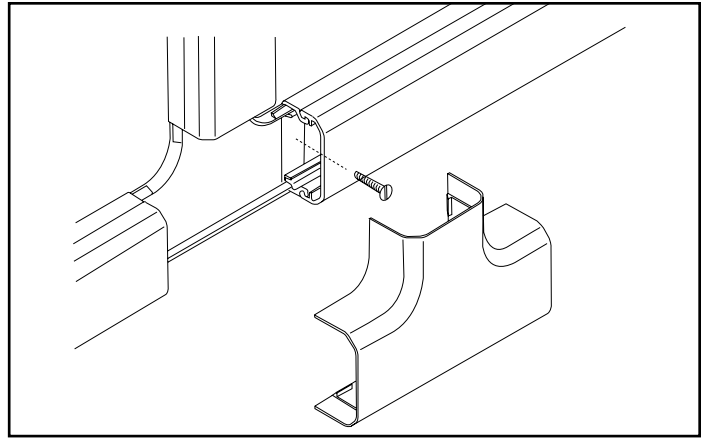
NM2017 Internal Elbow



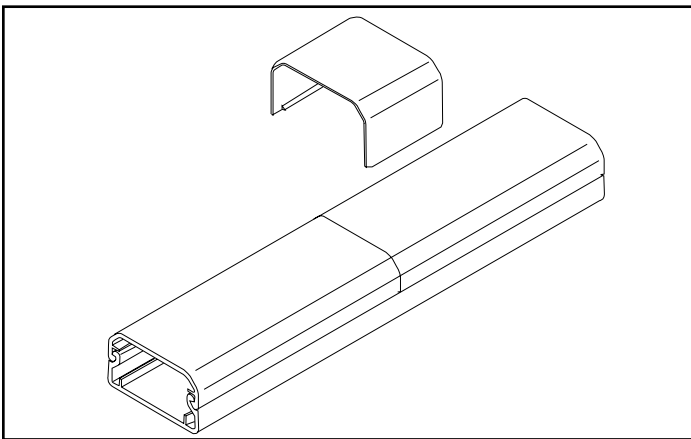
NM2018 External Elbow



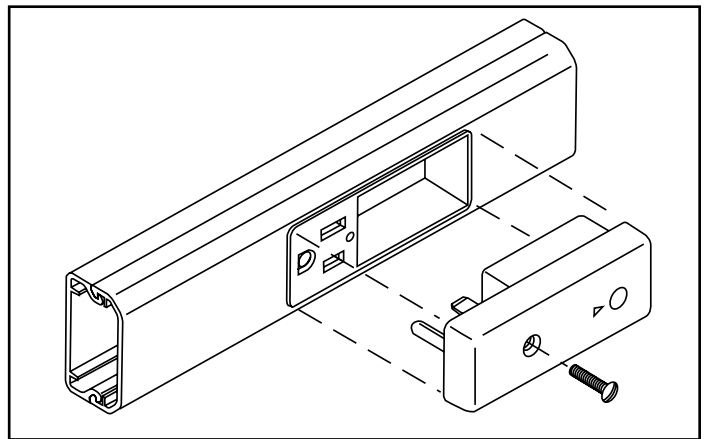
NM2011 90° Flat Elbow



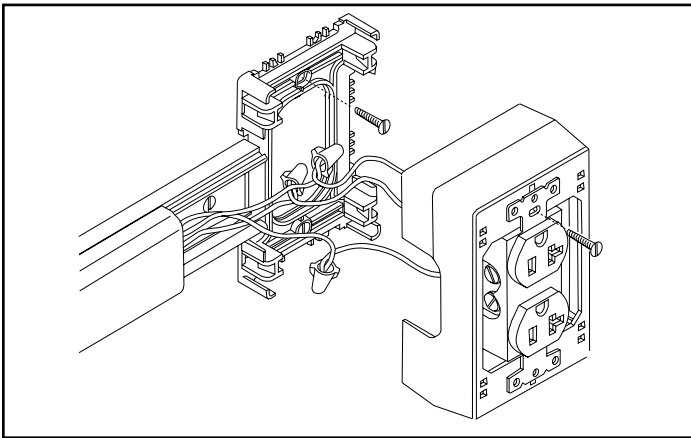
NM2015 Tee Fitting



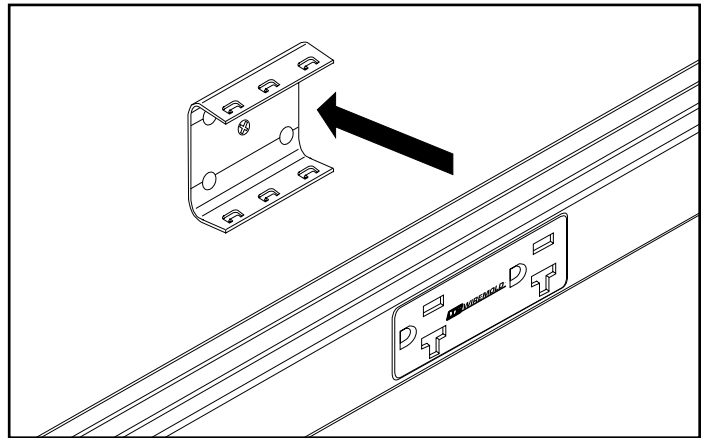
NM2006 Cover Clip



NM2027S Surge Module



NM2048 Device Box



NM2003 Mounting Clip



**The Wiremold Company**

*In U.S.:*

*60 Woodlawn Street • West Hartford, CT 06110*

*In Canada:*

*850 Gartshore Street • Fergus, Ontario N1M 2W8*