

7000 SERIES

WITH SKIP-A-DAY FEATURE
RESERVE POWER OPTIONAL
24 HOUR TIME SWITCH



**SKIP-A-DAY
24 HOUR!**

APPLICATIONS



- Lighting
- Heating
- Pumps
- Air conditioning
- Signs

- Automatic ON/OFF control when operation is required at the same time every day, with optional versatility of one to six days omission.

FEATURES

SCHEDULING: Minimum ON setting is 20 minutes with minimum OFF setting at 75 minutes. Dial accommodates up to 12 pairs of trippers. One pair included.

SKIP-A-DAY: Omit operations on any day with a 7-spoke wheel marked with days of week. 3 omitting screws included.

MANUAL OVERRIDE: Until the next regularly scheduled ON or OFF, automatic operation then resumes.

OPTIONAL RESERVE POWER: "L" models keep dial on time up to 16 hours during power outage.

STANDARDS: Listed UL917.

CAT. NO.	UPC CODE	INPUT SUPPLY (VAC) 60Hz	OUTPUT CONTACTS	ENCLOSURE TYPE
7100	10001	120	SPST	Metal Indoor NEMA 1
7102	10002	208-277	SPST	Metal Indoor NEMA 1
7200	11001	120	DPST	Metal Indoor NEMA 1
7202	11002	208-277	DPST	Metal Indoor NEMA 1
7300	12001	120	3PST	Metal Indoor/Outdoor NEMA 3
7302	12002	208-277	3PST	Metal Indoor/Outdoor NEMA 3
7120	13001	120	SPDT	Metal Indoor NEMA 1
7122	13002	208-277	SPDT	Metal Indoor NEMA 1
7220	14001	120	DPDT	Metal Indoor NEMA 1
WITH RESERVE POWER		(Contact factory for lead time)		
7200L	19003	120	DPST	Metal Indoor NEMA 1
7202L	19004	208-277	DPST	Metal Indoor NEMA 1
7300L	19005	120	3PST	Metal Indoor/Outdoor NEMA 3
7120L	19007	120	SPDT	Metal Indoor NEMA 1
7220L	19009	120	DPDT	Metal Indoor NEMA 1
Replacement Trippers	Order #P49 for a pair of ON/OFF per dial. Additional ON/OFF trippers per dial order #P47. 3 omitting screws #53005 supplied.			
Replacement Motor	#101 (120V) & #201 (208-277V). For "L" models #36 (120V) & #46 (208-277V). For Astronomic Conversion: Order #Z KIT for 7000 Series.			
SunSet Conversion	Astronomic dial. Consult factory for correct number for your latitude			

SPECIFICATIONS

INPUT VOLTAGE: 120 or 208-277 VAC 60 Hz varies by model.

TIMING ACCURACY: Line frequency.

TERMINAL RANGE: #8 - #14 AWG.

OPERATING TEMPERATURE: -40° to 165°F (-40° to +74°C).

POWER CONSUMPTION: 3 watts, 5 watts for "L" models maximum.

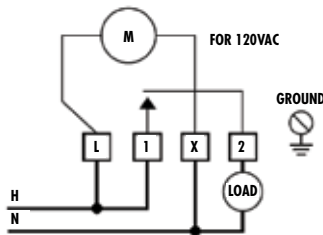
ENCLOSURE: Lockable hasp. Type varies by model (See pages 589-593 for dimensions).

OTHER MOUNTINGS: Intermatic® Adaptor Plate model #IAP allows any 7100 and 7200 series (except "L" models) to fit into an Intermatic case.

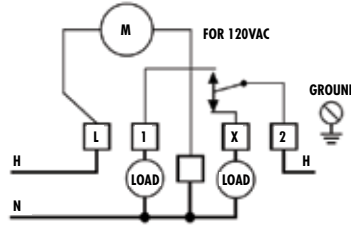
TYPE	VOLTAGE (VAC)	CONTACT RATING
General Purpose	120 -277	40A
Resistive	120 -277	40A
Tungsten	120	40A
Ballast	120-277	20A
Pilot Duty	120 -277	1000VA
Motor	120 240	2HP 5HP

277 volt Single Phase

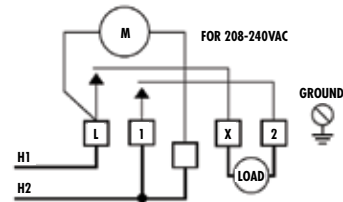
7100 & 7102



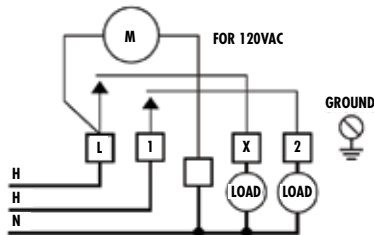
7120 & 7122



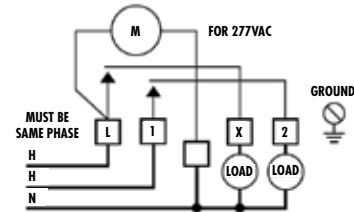
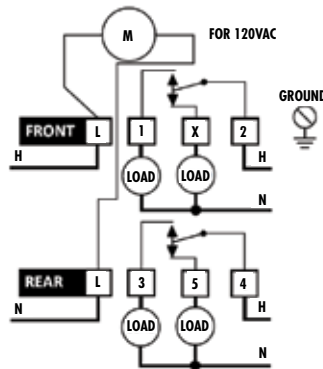
7202



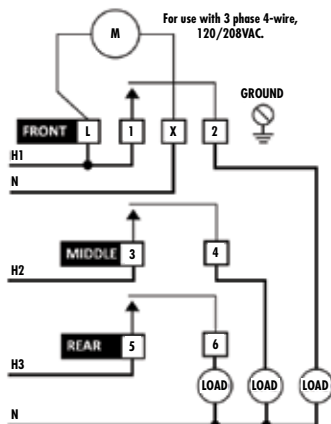
7200



7220



7300



7302

