

DESCRIPTION

The Accord™ redefines fluorescent lighting by improving on aesthetics, comfort and energy savings. The Accord™ provides the right amount of light while eliminating surface shadows commonly found in parabolics. Therefore, Accord™ increases the comfort level while providing significant energy savings.

The Accord™ is the ideal solution for offices, schools, hospitals, retail and other applications.

Catalog #		Type
Project		
Comments		Date
Prepared by		

SPECIFICATION FEATURES

Construction

Shallow 3-1/4" deep housing is die formed of code gauge, prime cold rolled steel. Heavy gauge end plates are securely attached with screws for strength and rigidity and the elimination of gaps. Four auxiliary fixture end suspension points are provided. KOs for continuous row wiring. Large access plate for supply connection.

Electrical*

Ballasts are Class "P" and are positively secured. Rotor-lock lampholders ensure positive lamp retention. UL/CUL listed. Suitable for damp locations.

Ballast Access

Ballast can be removed from below without tools.

Finish

Durable cold rolled steel with multistage, iron phosphate pretreatment and white enamel finish to ensure maximum bonding and rust inhibition.

Reflectors

Reflector has high reflectance baked matte white enamel finish for luminous uniformity.

Shielding

Positively retained frosted acrylic profile lenses provide a soft but effective distribution of light.

Air Return

Optional Air Return model provides air flow through air slots in the housing.

Controls

Fifth Light ballast options are offered for both 0-10V continuous dimming and DALI applications. Combine with energysaving products like occupancy sensors, daylighting controls, and lighting relay panels from Cooper Controls (www.coopercontrol.com) to maximize energy savings.



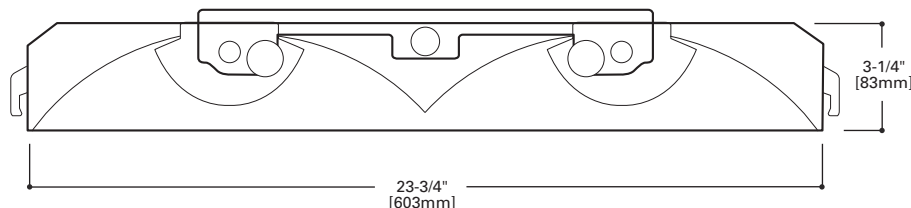
2AC
214T5
224T5

**2' X 2' RECESSED
T5 LAMPS**

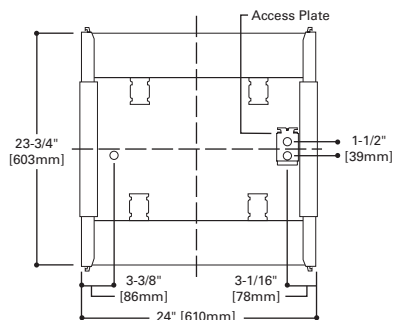
Troffer Series

accord
Enhanced Lighting Series

powered by
fifthlight
technology

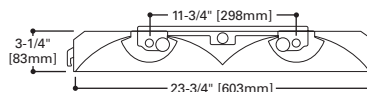


MOUNTING DATA



NOTE: 2' x 2' and 2' x 4' allow for row mounting
(1' x 4' does not support feature)

LAMP CONFIGURATIONS



ENERGY DATA

Input Watts:

EB Ballast & STD Lamps @ 277V

214T5 (30)

224T5 (52)

Luminaire Efficacy Rating

LER = FL77 LPW

Catalog Number: 2AC-214T5

**Yearly Cost of 1000 lumens,
3000 hrs at .08 KWH = \$2.65**

*Reference the lamp/ballast data in the Technical Section for specific lamp/ballast requirements.

**Consult Pre Sales Technical Support.

***See Drywall Frame Kit Accessory

CEILING COMPATIBILITY

G Grid/Lay-in Standard	F Drywall Frame Kit	Ceiling Type**	Trim Type
		Exposed Grid	G
		Concealed T	G or T
		Slot Grid	G or T
		Flange	***

**LAMPS CONTAIN MERCURY. DISPOSE ACCORDING
TO LOCAL, STATE OR FEDERAL LAWS**

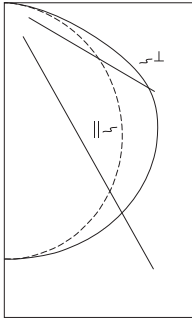
LINEAR DISCONNECT

Safe and convenient means of
disconnecting power.



ADF051721
May 30, 2018 4:53 PM

PHOTOMETRICS



2AC-214T5
 Electronic Ballast
 (2) F14T5/835 lamps
 1350 lumens
 Spacing criterion:
 (||) 1.2 x mounting
 height, (⊥) 1.4 x
 mounting height
 Efficiency 89.4%
 Test Report:
 2AC-214T5.IES
 LER = FL-77 LPW
 Yearly Cost of 1000
 lumens, 3000 hrs
 at .08 KWH = \$2.65

Candela			
Angle	Along	45°	Across ⊥
0	755	755	755
5	752	753	755
10	741	747	752
15	723	736	746
20	698	719	736
25	667	698	722
30	630	671	704
35	587	641	682
40	539	606	656
45	487	566	624
50	432	521	587
55	374	471	544
60	314	417	486
65	253	358	389
70	191	281	274
75	131	189	175
80	76	105	97
85	31	37	35
90	0	0	0

Coefficients of Utilization

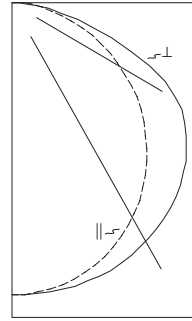
rc rw RCR	Effective floor cavity reflectance																					
	80%				70%				20%													
	70	50	30	10	70	50	30	10	50	30	10	50	30	10	50	30	10	50	30	10	0	
0	106	106	106	106	104	104	104	104	99	99	99	95	95	95	91	91	91	89				
1	97	93	89	85	94	90	87	84	87	84	81	83	81	78	80	78	76	74				
2	88	80	74	68	85	78	73	68	75	70	66	72	68	64	69	66	63	61				
3	80	70	62	56	77	68	61	56	66	60	55	63	58	54	61	57	53	51				
4	73	62	53	47	71	60	53	47	58	51	46	56	50	46	54	49	45	43				
5	67	55	46	40	65	54	46	40	52	45	40	50	44	39	48	43	39	37				
6	61	49	41	35	60	48	40	35	47	40	34	45	39	34	44	38	34	32				
7	57	44	36	31	55	44	36	31	42	35	30	41	35	30	40	34	30	28				
8	53	40	33	27	51	40	32	27	39	32	27	37	31	27	36	31	27	25				
9	49	37	29	24	48	36	29	24	35	29	24	34	28	24	34	28	24	22				
10	46	34	27	22	45	34	27	22	33	26	22	32	26	22	31	26	22	20				

Zonal Lumen Summary

Zone	Lumens	%Lamp	%Fixture
0-30	601	22.3	24.9
0-40	1001	37.1	41.4
0-60	1851	68.6	76.7
0-90	2414	89.4	100.0
0-180	2414	89.4	100.0

Luminance Data

Angle in Deg	Average 0-Deg cd/sm	Average 45-Deg cd/sm	Average 90-Deg cd/sm
45	1872	2176	2399
55	1772	2232	2578
65	1627	2303	2502
75	1376	1985	1838
85	967	1154	1092



2AC-224T5
 Electronic Ballast
 (2) F24T5HO/835 lamps
 1750 lumens
 Spacing criterion:
 (||) 1.2 x mounting
 height, (⊥) 1.4 x
 mounting height
 Efficiency 85%
 Test Report:
 2AC-224T5.IES
 LER = FL-93 LPW
 Yearly Cost of 1000
 lumens, 3000 hrs
 at .08 KWH = \$2.58

Candela			
Angle	Along	45°	Across ⊥
0	930	930	930
5	927	928	931
10	914	920	927
15	892	906	919
20	861	886	908
25	822	860	890
30	776	828	868
35	723	790	841
40	664	747	808
45	600	697	769
50	532	642	723
55	461	581	670
60	387	514	598
65	311	441	480
70	235	347	337
75	160	233	215
80	92	129	118
85	37	45	43
90	0	0	0

Coefficients of Utilization

rc rw RCR	Effective floor cavity reflectance																					
	80%				70%				20%													
	70	50	30	10	70	50	30	10	50	30	10	50	30	10	50	30	10	50	30	10	0	
0	101	101	101	101	99	99	99	99	94	94	94	90	90	90	87	87	87	85				
1	92	88	84	81	90	86	82	79	82	79	77	79	77	74	76	74	72	70				
2	83	76	70	65	81	74	69	64	71	67	63	69	65	61	66	63	60	58				
3	76	66	59	53	74	65	58	53	62	57	52	60	55	51	58	54	50	48				
4	69	59	51	45	67	57	50	45	55	49	44	53	48	43	51	47	43	41				
5	63	52	44	38	61	51	44	38	49	43	38	48	42	37	46	41	37	35				
6	58	47	39	33	57	46	38	33	44	38	33	43	37	32	41	36	32	30				
7	54	42	35	29	52	41	34	29	40	34	29	39	33	29	38	32	28	27				
8	50	38	31	26	49	38	31	26	37	30	26	36	30	25	35	29	25	24				
9	47	35	28	23	46	35	28	23	34	27	23	33	27	23	32	27	23	21				
10	44	32	26	21	43	32	25	21	31	25	21	30	25	21	29	24	21	19				

Zonal Lumen Summary

Zone	Lumens	%Lamp	%Fixture
0-30	740	21.1	24.9
0-40	1232	35.2	41.5
0-60	2279	65.1	76.7
0-90	2973	85.0	100.0
0-180	2973	85.0	100.0

Luminance Data

Angle in Deg	Average 0-Deg cd/sm	Average 45-Deg cd/sm	Average 90-Deg cd/sm
45	2305	2678	2955
55	2184	2752	3173
65	1999	2835	3086
75	1679	2446	2257
85	1153	1403	1340

ORDERING INFORMATION

SAMPLE NUMBER: 2AC-214T5-UNV-EBT1NDIM

Rating Blank = Standard NY =New York Rated ATW-SW4 = Chicago Rated		Number of Lamps (Not included) 2 =2 Lamp	Shielding Blank =Frosted Acrylic (standard) SQP =Lens with Square Pattern Insert RDP =Lens with Round Pattern Insert		Ballast Type ⁽¹⁾ EBT __=T5/T5HO Electronic Program Rapid Start. Total Harmonic Distortion < 10%. Standard Ballast Factor=1.0 Ballast/FactorType EBT_N =T5/T5HO Electronic Program Rapid Start. Total Harmonic Distortion < 10%. Normal Ballast Factor=.90 ⁽³⁾ EBT_H =T5/T5HO Electronic Program Rapid Start. Total Harmonic Distortion < 10%. High Ballast Factor=1.15 ^{(3), (6)} EBT_NDIM =T5/T5HO Electronic Program Rapid Start. Total Harmonic Distortion < 10%. Step Dimming, Normal Ballast Factor=.95-1.0 ^{(4), (6)} EBT_HDIM =T5/T5HO Electronic Program Rapid Start. Total Harmonic Distortion < 10%. Step Dimming, High Ballast Factor=1.15 ⁽⁴⁾ 0-10V Dimming Ballasts ⁽⁸⁾ 5LTV5 __=T5 0-10V Program Rapid Start. Total Harmonic Distortion < 10%. Ballast Factor 1.0 5LTVS5 __=T5 0-10V Spec Grade Program Rapid Start. Total Harmonic Distortion < 10%. Ballast Factor 1.0 ⁽⁹⁾ 5LTV5H __=T5HO 0-10V Program Rapid Start. Total Harmonic Distortion < 10%. Ballast Factor 1.0 ⁽¹⁰⁾ 5LTVS5H __=T5HO 0-10V Spec Grade Program Rapid Start. Total Harmonic Distortion < 10%. Ballast Factor 1.0 ^{(9), (11)} Fifth Light DALI Ballasts ⁽⁷⁾ 5LT5 __=T5 DALI Program Rapid Start. Total Harmonic Distortion < 10%. Ballast Factor 1.0 5LT5H __=T5HO DALI Program Rapid Start. Total Harmonic Distortion < 10%. Ballast Factor 1.0	Packaging U =Unit Pack PALC =Job Pack, in carton
Width 2 =2' Width		Wattage (Length) 14T5 =14W T5 (24") 24T5 =24W T5HO (24")	Voltage ⁽¹⁾ UNV =Universal Voltage 120-277			
Series AC =Accord Series			Options GL =Single Element Fuse GM =Double Element Fuse Flex =Flex installed EL =Emergency Installed			
Type A =Air (optional)			Lamps L5835 =T5 Lamp, 3500K L5841 =T5 Lamp, 4100K L5835HL =T5 Lamp, 28W, 3500K, 2900 Lumens L5841HL =T5 Lamp, 28W, 4100K, 2900 Lumens			
NOTES: ⁽¹⁾ Products also available in non-US voltages and frequencies for international markets. ⁽²⁾ Step dimming ballast available for 14WT5 lamps only. ⁽³⁾ .90 and 1.15 ballast factor available for 2 or 3 14WT5 lamps only. ⁽⁴⁾ Step dimming ballast available for 2 or 3 lamp 14WT5 lamps only. ⁽⁵⁾ 1 lamp step dimming ballast in a normal ballast factor not available. 2 lamp ballast will not operate 1 lamp. ⁽⁶⁾ 1 lamp ballast in a high ballast factor not available. ⁽⁷⁾ For a complete listing of Fifthlight Technology products and other solutions from Cooper Controls, visit www.coopercontrol.com. ⁽⁸⁾ 0-10V ballast do not include DALI feature. Please select DALI ballast for use with Fifth Light system. ⁽⁹⁾ Specification grade 0-10V dimming ballast are NEMA premium and CEE listed. They are compatible with low mercury and energy saving lamps. ⁽¹⁰⁾ Standard 0-10V ballast not available for 24WT5HO lamps. ⁽¹¹⁾ Specification Grade 0-10V ballast not available for 24WT5HO lamps.					Number of Ballasts 1 =1 Ballast 2 =2 Ballasts	

Specifications & dimensions subject to change without notice. Consult your Eaton Representative for availability and ordering information.

ACCESSORIES

T3A END E.Q. BRACKET PARTS BAG

SHIPPING DATA

Catalog No.	Wt.
2AC-214T5	28 lbs.
2AC-224T5	28 lbs.