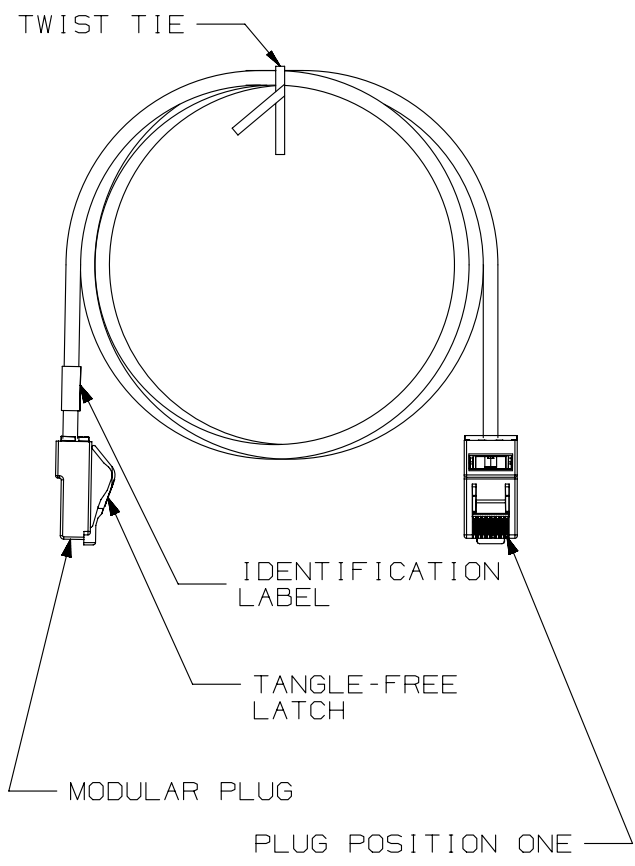


THIS COPY IS PROVIDED ON A RESTRICTED BASIS AND IS NOT TO BE USED IN ANY WAY DETRIMENTAL TO THE INTERESTS OF PANDUIT CORP.



- NOTES:
1. CATEGORY 5e UTP 28AWG CAT5e PATCH CORDS
 2. c(UL)us LISTED, FILE NUMBER E129886
 3. TERMINATED WITH (8 POSITION) MODULAR PLUGS AT BOTH ENDS PER T568A.
 4. CONSTRUCTED WITH 28AWG STRANDED CONDUCTOR CAT5e UTP HALOGEN FREE (CM/LSZH) PATCH CABLE.
 5. MATERIALS:
PLUG: POLYCARBONATE
CONTACTS: GOLD PLATED PHOSPHOR BRONZE
 6. NOMINAL CABLE DIAMETER IS 0.150 IN (3.80MM).
 7. RoHS COMPLIANT
 8. 100% FACTORY PERFORMANCE TESTED TO CAT 5e PATCH CORD LIMITS.
 9. USE 28AWG CAT 5e JACK (CJT5E88TG**) FOR FIELD TERMINATION OF EQUIPMENT CORDS.

T568A WIRING SCHEME

PLUG POSITION	CABLE WIRE
1	WHITE GREEN
2	GREEN
3	WHITE ORANGE
4	BLUE
5	WHITE BLUE
6	ORANGE
7	WHITE BROWN
8	BROWN

CABLE COLORS	** = COLOR
OFF WHITE	--
BLACK	BL
BLUE	BU
RED	RD
YELLOW	YL
GREEN	GR
ORANGE	OR
VIOLET	VL
GRAY	GY

SEE SHEET 2 FOR PATCH CORD LENGTHS AND PART NUMBERS

PART NUMBER	UTP28CHXX**	PRODUCT SPEC/PKG SPEC	N/A
I.I. NUMBER	N/A	WORK INSTRUCTION	N/A
TITLE			
TX5e UTP 28AWG COPPER PATCH CORDS (CM/LSZH)			
CUSTOMER DRAWING			
ITEM REVISION NAME		11M215BB/01	
DATASET FILE NAME		11M215BB_DC02/01C	
UNLESS OTHERWISE SPECIFIED, DIMENSIONAL TOLERANCES ARE: IN [mm]		MATERIAL:	
.x ± .06 [1.5] .xxx ± .010 [.3]		SEE NOTE 5	
.xx ± ANGLES ±		DRAWING NUMBER:	
THIRD ANGLE PROJECTION		11M215BB-02	
DRAWN BY	DATE	CHK	SCALE
BJN	7-18-11	WFMI	NONE
SHT 1 OF 2			SIZE
			A

REV	DATE	BY	CHK	APR	DESCRIPTION	ECN
5	9-26-13	BJN	MATO	EJH	UPDATED	11M215BB-02
4	8-26-13	BJN	MATO	EJH	UPDATED	11M215BB-02
3	5-8-13	BJN	MATO	EJH	UPDATED	11M215BB-02

D10100DA/14

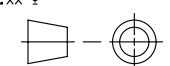
2

1

THIS COPY IS PROVIDED ON A RESTRICTED BASIS AND IS NOT TO BE USED IN ANY WAY DETRIMENTAL TO THE INTERESTS OF PANDUIT CORP.

TX5e UTP 28AWG
PATCH CORDS

PANDUIT PART NUMBER	MIN. CABLE LENGTH	PANDUIT PART NUMBER	MIN. CABLE LENGTH
UTP28CH1**	1 FT.	UTP28CH0.5M**	0.5 METER
UTP28CH2**	2 FT.	UTP28CH1M**	1 METER
UTP28CH3**	3 FT.	UTP28CH1.5M**	1.5 METER
UTP28CH4**	4 FT.	UTP28CH2M**	2 METER
UTP28CH5**	5 FT.	UTP28CH2.5M**	2.5 METER
UTP28CH6**	6 FT.	UTP28CH3M**	3 METER
UTP28CH7**	7 FT.	UTP28CH3.5M**	3.5 METER
UTP28CH8**	8 FT.	UTP28CH4M**	4 METER
UTP28CH9**	9 FT.	UTP28CH4.5M**	4.5 METER
UTP28CH10**	10 FT.	UTP28CH5M**	5 METER
UTP28CH11**	11 FT.	UTP28CH5.5M**	5.5 METER
UTP28CH12**	12 FT.	UTP28CH6M**	6 METER
UTP28CH13**	13 FT.		
UTP28CH14**	14 FT.		
UTP28CH15**	15 FT.		
UTP28CH16**	16 FT.		
UTP28CH17**	17 FT.		
UTP28CH18**	18 FT.		
UTP28CH19**	19 FT.		
UTP28CH20**	20 FT.		

PART NUMBER UTP28CHXX**		PRODUCT SPEC/PKG SPEC N/A	
I.I. NUMBER N/A		WORK INSTRUCTION N/A	
TITLE TX5e UTP 28AWG COPPER PATCH CORDS (CM/LSZH) CUSTOMER DRAWING			
ITEM REVISION NAME 11M215BB/01		PANDUIT	
DATASET FILE NAME 11M215BB_DC02/01C			
UNLESS OTHERWISE SPECIFIED, DIMENSIONAL TOLERANCES ARE: IN [mm] .x ± .06 [1.5] .xxx ± .010 [.3] .xx ± ANGLES ±		MATERIAL:	
 THIRD ANGLE PROJECTION		DRAWING NUMBER: 11M215BB-02	
DRAWN BY BJN	DATE 7-18-11	CHK WFMI	SCALE NONE
REV		SHT 2 OF 2	
DATE		SIZE A	
BY			
CHK			
APR			
DESCRIPTION		ECN	

REV	DATE	BY	CHK	APR	DESCRIPTION	ECN
5	9-26-13	BJN	MATO	EJH	SEE SHEET 1 FOR REVISION HISTORY	11M215BB-02
4	8-26-13	BJN	MATO	EJH	SEE SHEET 1 FOR REVISION HISTORY	11M215BB-02
3	5-8-13	BJN	MATO	EJH	SEE SHEET 1 FOR REVISION HISTORY	11M215BB-02

2

1

B

B

A

A

D10100DA/14