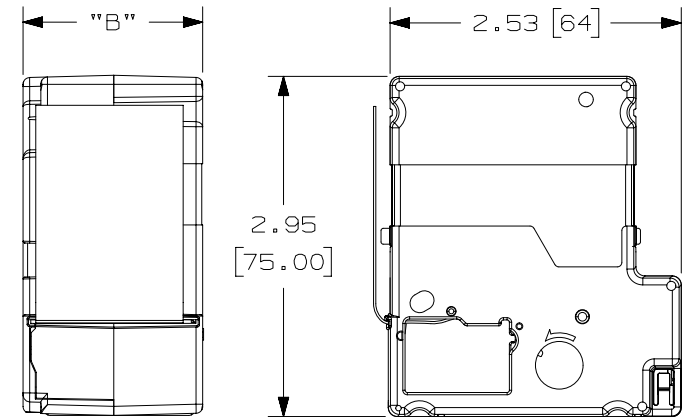


THIS COPY IS PROVIDED ON A RESTRICTED BASIS AND IS NOT TO BE USED IN ANY WAY DETRIMENTAL TO THE INTERESTS OF PANDUIT CORP.

	MP CASSETTE PART NO.	LABEL "A" +/- .030 [0.76]	CASSETTE WIDTH "B" REF	COLOR	MATERIAL	ROLL LENGTH +10% / -0%
01	T038X000VPM-BK	0.354 [9.0]	.87 [22.1]	BLACK ON WHITE	GMV20	23 ft [7.01 m]
01	T038X000VXM-BK	0.354 [9.0]	.87 [22.1]	BLACK ON YELLOW	GMV20	23 ft [7.01 m]
01	T038X000YKM-BK	0.354 [9.0]	.87 [22.1]	BLACK ON CLEAR	GMV14	30 ft [9.14 m]
01	T050X000VPM-BK	0.472 [12.0]	.87 [22.1]	BLACK ON WHITE	GMV20	23 ft [7.01 m]
01	T050X000VXM-BK	0.472 [12.0]	.87 [22.1]	BLACK ON YELLOW	GMV20	23 ft [7.01 m]
01	T050X000YKM-BK	0.472 [12.0]	.87 [22.1]	BLACK ON CLEAR	GMV14	30 ft [9.14 m]
01	T075X000VPM-BK	.710 [18.0]	0.99 [25.1]	BLACK ON WHITE	GMV20	23 ft [7.01 m]
01	T075X000VXM-BK	.710 [18.0]	0.99 [25.1]	BLACK ON YELLOW	GMV20	23 ft [7.01 m]
01	T075X000YKM-BK	.710 [18.0]	0.99 [25.1]	BLACK ON CLEAR	GMV14	30 ft [9.14 m]
01	T100X000VPM-BK	0.945 [24.0]	1.10 [27.9]	BLACK ON WHITE	GMV20	23 ft [7.01 m]
01	T100X000VXM-BK	0.945 [24.0]	1.10 [27.9]	BLACK ON YELLOW	GMV20	23 ft [7.01 m]
01	T100X000YKM-BK	0.945 [24.0]	1.10 [27.9]	BLACK ON CLEAR	GMV14	30 ft [9.14 m]
01	T100X000MPM-BK	0.945 [24.0]	1.10 [27.9]	BLACK ON WHITE	MAG	5 ft [1.52 m]
01	T100X000MXM-BK	0.945 [24.0]	1.10 [27.9]	BLACK ON YELLOW	MAG	5 ft [1.52 m]
01	T150X000VPM-BK	1.417 [36.0]	1.56 [39.6]	BLACK ON WHITE	GMV20	23 ft [7.01 m]
01	T150X000VXM-BK	1.417 [36.0]	1.56 [39.6]	BLACK ON YELLOW	GMV20	23 ft [7.01 m]
01	T150X000YKM-BK	1.417 [36.0]	1.56 [39.6]	BLACK ON CLEAR	GMV14	30 ft [9.14 m]
01	T150X000MPM-BK	1.417 [36.0]	1.56 [39.6]	BLACK ON WHITE	MAG	5 ft [1.52 m]
01	T150X000MXM-BK	1.417 [36.0]	1.56 [39.6]	BLACK ON YELLOW	MAG	5 ft [1.52 m]



TITLE		MP CONTINUOUS TAPE		
		CUSTOMER DRAWING		
ITEM REVISION NAME	100743XP/01			
DATASET FILE NAME	100743XP_DC_MP CONT-TAPE/01B			
UNLESS OTHERWISE SPECIFIED, DIMENSIONAL TOLERANCES ARE: IN [mm]		PANDUIT		
.x ± .1 [2.54] .xxx ± .025 [.635] .xx ± .05 [1.27] ANGLES ±				
DRAWING NUMBER:		100743XP_DC		
THIRD ANGLE PROJECTION				
DRAWN BY	DATE	CHK	SCALE	SIZE
RVU	7/15/19	JHAC	NTS	A
SHT 1 OF 1				

01	5/19/2020	RVU	JW	JHAC	The color should be listed as: 1) Black on White for all *PM-BK part numbers. 2) Black on Yellow for all *XM-BK part numbers. 3) Black on Clear for all *KM-BK part numbers.	GAECN05654
00	10/31/19	RVU	JW	JHAC	DRAWING RELEASE.	GAECN04945
REV	DATE	BY	CHK	APR	DESCRIPTION	ECN

D10100DA/20