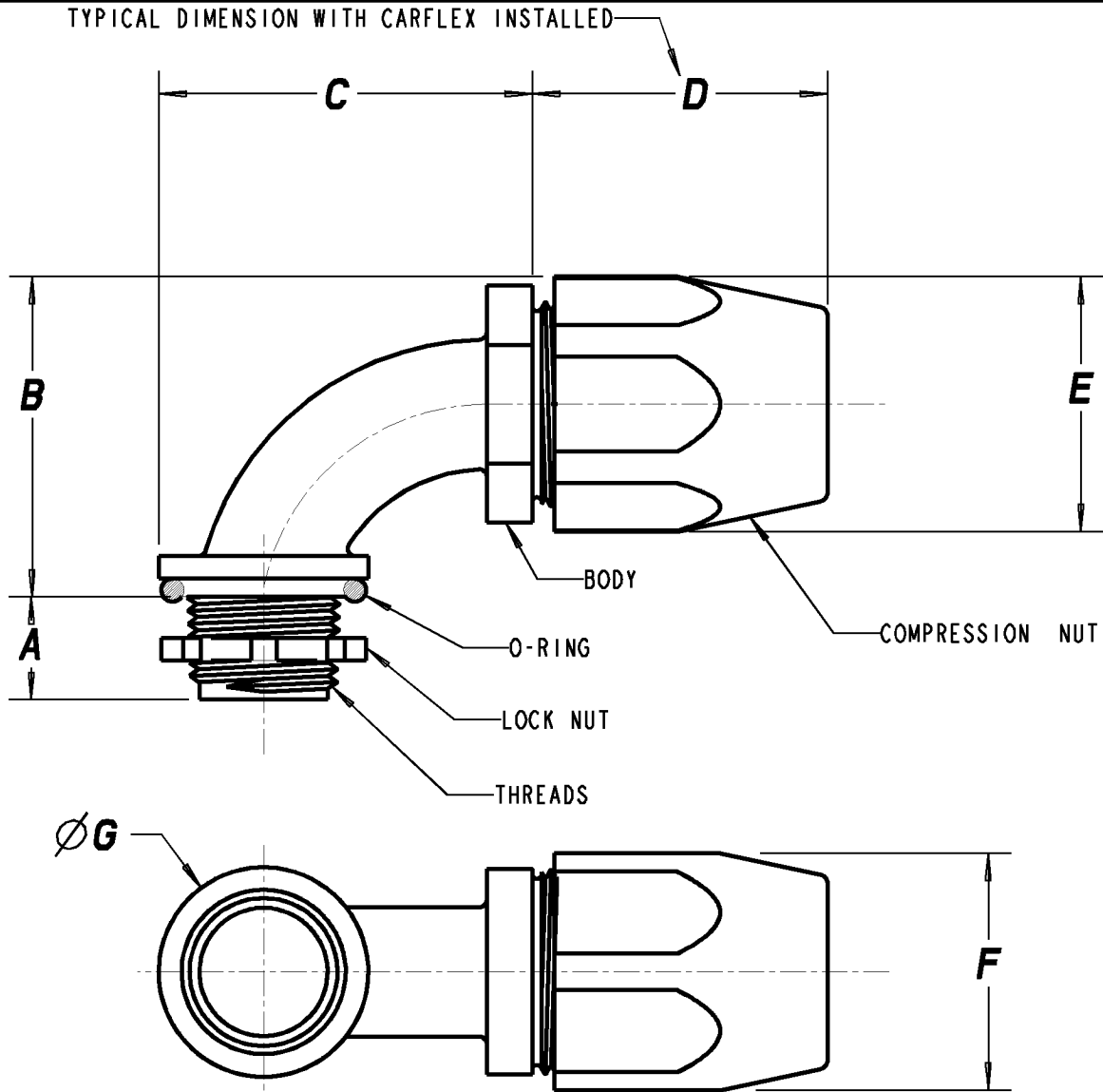


# Carlton®



PART NO	SIZE	A	B	C	D	E	F	G	MAXIMUM HOLE SIZE	THREADS
LT20D-NEW LT20DR LT20DU	1/2" [16]	.56 [14,2]	1.76 [44,6]	2.05 [52,0]	1.62 [41,1]	1.40 [35,6]	1.30 [33,0]	1.15 [29,2]	.85 [21,6]	1/2-14 NPT
LT20E-NEW LT20ER LT20EU	3/4" [21]	.56 [14,3]	2.04 [51,7]	2.35 [59,7]	1.88 [47,7]	1.71 [43,4]	1.61 [40,9]	1.50 [38,1]	1.08 [25,9]	3/4-12 NPT
LT20F-NEW LT20FU	1" [27]	.59 [15]	2.08 [52,8]	2.48 [63]	1.95 [49,5]	2.07 [52,6]	1.86 [47,2]	1.65 [41,9]	1.31 [33,3]	1-11 1/2 NPT

### GENERAL NOTES

- ALL DIMENSIONS ARE FOR REFERENCE ONLY.
- DIMENSIONS IN BRACKETS [ ] ARE IN METRIC UNITS.

### REVISIONS

SEE ERN (\*\*\*\*) FOR APPROVAL SIGNATURES & RELEASE DATE.  
PROJECT NO: \*\*\*\*

**Thomas & Betts**  
www.tnb.com

DESCRIPTION: **90 DEGREE CAFLEX ASSEMBLY**

ORIGINAL PROJECT NO / ( ERN NO )

/ ( )

SHEET NO:

1 OF 1

REV. NO:

F

DRAWING NO:

WSD-AC01708