



Catalog Number
Notes
Type

Contractor Select™

CSS

LED Striplight



The light-duty, dimmable, damp-location and DLC® listed CSS LED dual strip lights can easily mount individually to a ceiling, horizontal and vertical wall, or continuous row/daisy chaining. The size and versatility make them suitable for tight spaces and for task lighting, restrooms, under/over cabinet and storage closets.

FEATURES:

- Inspired by classic fluorescent strip channels, this LED fixture offers a traditional appearance that incorporates the latest technology
- Quick and simple to install with the snap-lock tool-less channel cover
- Features a low-glare diffuse lens for enhanced aesthetic



Catalog Number	UPC	Description	Lumens	Wattage	Voltage	Color Temperature	Color Rendering Index	Pallet Quantity
CSS L48 4000LM MVOLT 40K 80CRI	00193048852622	4' MVOLT LED Strip Light	4298	34.2	MVOLT (120-277)	4000K	80CRI	98
CSS L96 8000LM MVOLT 40K 80CRI	00193048852721	8' MVOLT LED Strip Light	8596	68.4	MVOLT (120-277)	4000K	80CRI	102
CSS L48 AL03 MVOLT SWW3 80CRI	00193048852677	4' MVOLT Switchable LED Strip Light	3190-5274	24.1-39.4	MVOLT (120-277)	35K/40K/50K	80CRI	98
CSS L96 AL04 MVOLT SWW3 80CRI	00193048852738	8' MVOLT Switchable LED Strip Light	6380-10549	48.3-78.7	MVOLT (120-277)	35K/40K/50K	80CRI	102

More configurations are available. [Click here](#) or visit www.acuitybrands.com and search for CSS LED.

Accessories: Order as separate catalog number.	
HC36	Chain hanger and jack chain, 36" (pair)
ZACVH	Aircraft cable 10' (one pair)
SQ	5/8" Swivel-stem hanger (specify length in 2" increments)
YJ10	Y hanger in multiples of 10



Specifications

INTENDED USE:

Inspired by classic fluorescent strip channels, this LED fixture offers a traditional appearance that incorporates the latest technology. Available in several color temperatures, lumen packages and lengths. Ideal for use in commercial, retail, office, warehouse and display applications. **Certain airborne contaminants can diminish integrity of acrylic.** [Click here for a Acrylic Environmental Compatibility table for suitable uses.](#)

Certain airborne contaminants may adversely affect the functioning of LEDs and other electronic components, depending on various factors such as concentrations of the contaminants, ventilation, and temperature at the end-user location. [Click here for a list of substances that may not be suitable for interaction with LEDs and other electronic components.](#)

CONSTRUCTION:

Compact-design channel and cover are formed from code-gauge, cold-rolled steel.

Easy to install row aligner bracket included for continuous row mounting.

Finish: High-gloss, baked white enamel (standard).

OPTICS:

LEDs provide 80+ color rendering index (CRI) at 3500 K, 4000 K and 5000 K. Diffuse polycarbonate lens provides smooth, linear illumination which is designed to resemble the classic look of traditional fluorescent lamps. Lumen output exceeds 1,000 lumens per foot. Luminaire should be installed in applications where ambient temperatures do not exceed maximum ambient operating temperature of 95°F (35°C).

ELECTRICAL:

Luminaire Surge Protection Level: Designed to withstand up to 2.5kV/0.75kA per ANSI C82.77-5-2015. For applications requiring higher level of protection additional surge protection must be provided.

INSTALLATION:

Fixture may be surface or suspension mounted with appropriate mounting options (see accessories).

Aligner locks in place for easy continuous row mounting.

LISTINGS:

CSA certified to US and Canadian safety standards and listed suitable for damp locations.

Minimum starting temperature at -40°F (-40°C). Maximum ambient operating temperature of 95°F (35°C).

DesignLights Consortium® (DLC) qualified product. Not all versions of this product may be DLC qualified. Please check the DLC Qualified Products List at www.designlights.org/QPL to confirm which versions are qualified.

WARRANTY:

5-year limited warranty. Complete warranty terms located at:

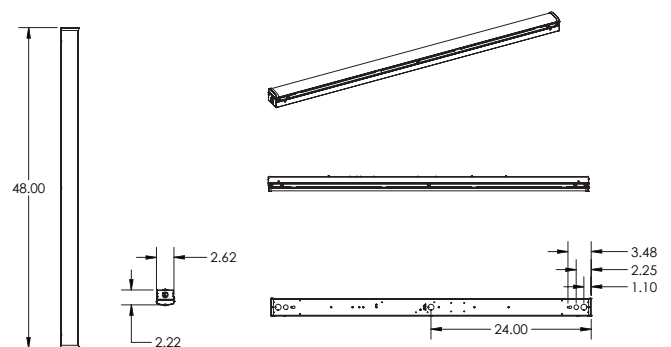
www.acuitybrands.com/resources/terms-and-conditions

Note: Actual performance may differ as a result of end-user environment and application. All values are design or typical values, measured under laboratory conditions at 25 °C. Specifications subject to change without notice.

Dimensions

All dimensions are inches (centimeters) unless otherwise indicated.

4FT Assembly



8FT Assembly

