

FEATURES & SPECIFICATIONS

INTENDED USE — Typical applications include corridors, lobbies, conference rooms and private offices.
CONSTRUCTION — Galvanized steel mounting/plaster frame; galvanized steel junction box with bottom-hinged access covers and spring latches. Reflectors are retained by torsion springs. Vertically adjustable mounting brackets with commercial bar hangers provide 3-3/4" total adjustment. Two combination 1/2"-3/4" and four 1/2" knockouts for straight-through conduit runs. Capacity: 8 (4 in, 4 out). No. 12 AWG conductors, rated for 90°C.

Accommodates 12"-24" joist spacing.

Passive cooling thermal management for 25°C standard. Light engine and drivers are accessible from above or below ceiling.

Ceiling thickness range 1/2" to 1-1/2".

OPTICS — 55° cutoff

1.0 S/MH standard (wallwash reflector available)

80CRI standard (90CRI optional)

ELECTRICAL — Adjustable lumen output with three module options.

MVOLT 120/277V 50/60Hz driver (0-10V & 120V Phase Dimming to 10% min dimming level). DALI driver dimming to 1% also available

100LPW typical

FCC CFR Title 47 Part 15 Class A for 277V. FCC CFR Title 47 Part 15 Class B for 120V.

L80 @ 60,000 hours

3 SDCM

LISTINGS — Certified to US and Canadian safety standards. Wet location, covered ceiling. Title 24 compliant (90CRI, up to 1000lm). Wallwash suitable for damp locations only. Some configurations are Energy Star certified, please visit www.energystar.gov for specific products.

WARRANTY — 5-year limited warranty. This is the only warranty provided and no other statements in this specification sheet create any warranty of any kind. All other express and implied warranties are disclaimed. Complete warranty terms located at:

www.acuitybrands.com/support/warranty/terms-and-conditions

Note: Actual performance may differ as a result of end-user environment and application.

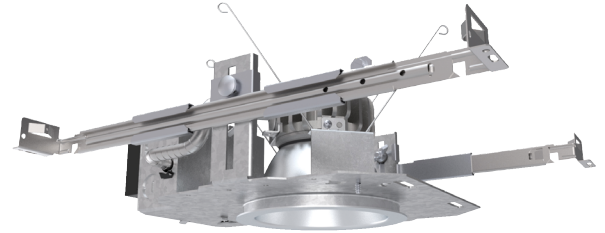
All values are design or typical values, measured under laboratory conditions at 25 °C.

Specifications subject to change without notice.

Catalog Number
Notes
Type

LDN4 SWITCHABLE

4" OPEN
New Construction Downlight



ORDERING INFORMATION

Lead times will vary depending on options selected. Consult with your sales representative.

Example: LDN4 ALO2 SWW1 L04AR LSS MVOLT UGZ

LDN4									
Series	Lumens ‡	Color temperature ‡	Aperture/Trim Color	Reflector Flange	Finish	Distribution	Voltage		
LDN4 4" Round	ALO1	500/750/1000lm	SWW1 3000K-3500K-4000K-5000K	L04 Downlight	AR Clear	(blank) Self-flange	(blank) Medium Wide (1.0s/mh) WD Wide (1.2s/mh)	MVOLT 120V - 277V 347 347V step-down transformer supplied	
	ALO2	1000/1500/2000lm		LW4 Wallwash	WR ‡ White painted BR ‡ Black painted	TRW ‡ White TRBL ‡ Black			LD Matte diffused LS Specular
	ALO3	2000/2500/3000lm	Fixed CCT						
	ALO4	4000/4500/5000lm	30K 3000K						
		Fixed Lumen Output	35K 3500K						
		05LM 500lm	40K 4000K						
		07LM 750lm	50K 5000K						
		10LM 1000lm							
		15LM 1500lm							
		20LM 2000lm							
		25LM 2500lm							
		30LM 3000lm							
		40LM 4000lm							
		45LM 4500lm							
	50LM 5000lm								

Driver	Options	nLight Options
UGZ Universal dimming to 10% 0-10V; line voltage dimming (120V)	90CRI High CRI (90+)	NPS80EZ ‡ nLight® network power/relay pack with 0-10V dimming
UGZ1 Universal dimming to 1% 0-10V; line voltage dimming (120V)	AT ‡ Airtight (IP55)	NPS80EZER ‡ nLight® network power/relay pack with 0-10V dimming; ER controls fixtures on emergency circuit.
DALI ‡ DALI dimming to 1%	CP ‡ Chicago Plenum	NLTAIR2 ‡ nLight® Air enabled
D10 Minimum dimming 10% driver for use with JOT D1 Minimum dimming 1% driver for use with JOT	EL ‡ Batterypack (10W constant power) Non-T20 Compliant, integral test switch	NLTAIRER2 ‡ nLight® AIR Dimming Pack Wireless Controls. Controls fixtures on emergency circuit
D1 Minimum dimming 1% driver for use with JOT	ELR ‡ Batterypack (10W constant power) Non-T20 Compliant remote test switch	NLTAIREM2 ‡ nLight® AIR Dimming Pack Wireless Controls. UL924 Emergency Operation, via power interrupt detection.
	E10WCPR ‡ Batterypack (10W constant power) T20 Compliant, integral test switch	ETS ‡ Iota Emergency Transfer System
	E10WCPR ‡ Batterypack (10W constant power) T20 Compliant, remote test switch	
	JOT ‡ Wireless room control with "Just One Touch" pairing	

‡ Option Restrictions

Options	Restriction
	Lumens and Color Temp restriction note: Fixed Lumens and CCT must be specified together (for example: 10LM 30K).
LW	Not available with WL, EL, AND E10WCP
EL	Suitable for damp location only and not available with wallwash trims, 347V, NPP16DER, or NLTAIRER2/NLTAIREM2.
WR, BR	Not available with reflector finish.
TRW, TRBL	For use with Clear (AR) trim finish only.
AT	Standard for CP and IP55, not available with WW
E10WCPR	Not available QDS, CP, 347V, NPP16D ER, NLTAIRER2, NLTAIREM2, ALO3 (2000-3000L) DALI OR JOT.
ELR	Not available QDS, CP, 347V, NPP16D ER, NLTAIRER2, NLTAIREM2, ALO3 (2000-3000L) DALI OR JOT.
JOT	Not available with CP, NPP16D, NPP16D ER, NLTAIR2, NLTAIRER2, NLTAIREM2, UGZ, or DALI drivers. Fixed lumens and CCT only.
NLTAIR2	Not available with CP, QDS, DALI, D1, OR D10 drivers.
NLTAIRER2	Not available with CP, QDS, ELR, E10WCPR, DALI, D1, OR D10 drivers. Not available with 347V.
NLTAIREM2	Not available with CP, QDS, ELR, E10WCPR, DALI, D1, OR D10 drivers.
CP	Not available with, QDS, EC1, EC6, ELR, E10WCPR, 347V, JOT, NPP16D, NPP16D ER, NLTAIR2, NLTAIRER2, NLTAIREM2, D1, OR D10 drivers. Not available with square trim.
ETS	Not available with, QDS, ELR, E10WCPR, 347V, JOT, NPP16D, NPP16D ER, NLTAIR2, NLTAIRER2, NLTAIREM2, DALI, D1, OR D10 driver
DALI	Not available with fixed lumens or CCT. Max 4500 lumens.
E10WCP	Not available QDS, CP, 347V, NPP16D ER, NLTAIRER2, NLTAIREM2, ALO3 (2000-3000L) DALI, JOT, or WL.
NPS80EZ	Not available with CP, QDS, DALI, D1, OR D10 drivers. 120V OR 277V only. Not available with 347V.
NPS80EZER	Not available with CP, QDS, ELR, E10WCPR, DALI, D1, OR D10 drivers. 120V OR 277V only. Not available with 347V.

EMERGENCY BATTERY PACK OPTIONS - FIELD INSTALLABLE

Battery Model Number	Wattage	Runtime (Minutes)	Lumen Output* @ 120 Lumens/Watt	Other
ILB CP07 ZH A	7W	120	840	Storm Shelter / 2 Hour Runtime
ILB CP10 A	10W	90	1200	
ILBLP CP10 HE SD A+	10W	90	1200	Title 20, Self Diagnostic
ILBLP CP15 HE SD A+	15W	90	1800	Title 20, Self Diagnostic
ILB CP20 HE A	20W	90	2400	Title 20
ILB CP20 HE SD A	20W	90	2400	Title 20, Self Diagnostic
ILBHI CP10 HE SD A+	10W	90	1200	347-480V AC Input, Title 20, Self Diagnostic
ILBHI CP15 HE SD A+	15W	90	1800	347-480V AC Input, Title 20, Self Diagnostic

All the above are UL Listed products that are certified for field install external/remote to the fixture.

* Minimum delivered lumen output to assist in product selection for increased fixture mounting height.

+ The CP10 delivered emergency illumination outperforms legacy 1400 lumen fluorescent emergency ballast.

Please contact us at productsupportemergency@acuitybrands.com for any Emergency Battery related questions.

LDN4 SWW

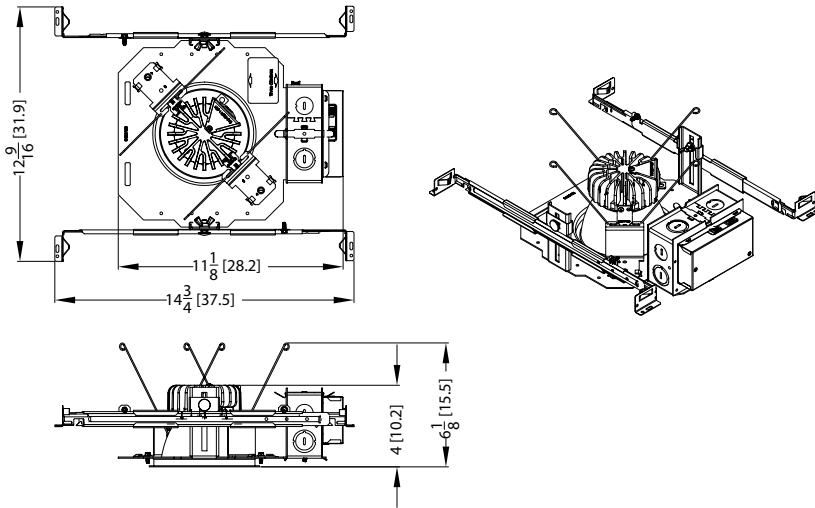
PHOTOMETRY

LDN4		80CRI							
Lumen Output	Wattage	30K/80CRI		35K/80CRI		40K/80CRI		50K/80CRI	
		Delivered Lumens	LPW	Delivered Lumens	LPW	Delivered Lumens	LPW	Delivered Lumens	LPW
AL01 (500LM)	6	570	99	584	101	597	102	616	105
AL01 (750LM)	9	903	102	924	103	946	105	975	108
AL01 (1000LM)	13	1268	98	1297	100	1328	102	1369	104
AL02 (1000LM)	13	1344	108	1375	110	1408	112	1451	115
AL02 (1500LM)	19	1961	105	2007	106	2055	108	2118	111
AL02 (2000LM)	25	2471	99	2528	101	2588	103	2668	105
AL03 (2000LM)	25	2542	103	2601	104	2663	106	2745	109
AL03 (2500LM)	32	3069	98	3140	99	3214	101	3314	103
AL03 (3000LM)	38	3485	93	3566	94	3651	96	3764	98
AL04 (4000LM)	39	4094	106	4178	108	4262	110	4303	111
AL04 (4500LM)	44	4519	103	4611	105	4703	107	4750	108
AL04 (5000LM)	49	4914	100	5015	102	5115	104	5165	105
LDN4		90CRI							
Lumen Output	Wattage	30K/90CRI		35K/90CRI		40K/90CRI		50K/90CRI	
		Delivered Lumens	LPW	Delivered Lumens	LPW	Delivered Lumens	LPW	Delivered Lumens	LPW
AL01 (500LM)	6	498	87	512	88	526	90	539	92
AL01 (750LM)	9	789	89	810	91	832	92	853	94
AL01 (1000LM)	13	1108	86	1138	88	1168	89	1198	91
AL02 (1000LM)	13	1174	95	1206	97	1238	99	1270	100
AL02 (1500LM)	19	1714	91	1761	93	1807	95	1854	97
AL02 (2000LM)	25	2159	87	2218	89	2276	91	2335	92
AL03 (2000LM)	25	2222	90	2282	92	2342	94	2402	95
AL03 (2500LM)	32	2682	85	2755	87	2827	89	2900	91
AL03 (3000LM)	38	3046	81	3129	83	3211	85	3294	86
AL04 (4000LM)	39	3398	88	3468	90	3537	91	3572	92
AL04 (4500LM)	44	3751	85	3827	87	3904	89	3942	90
AL04 (5000LM)	49	4079	83	4162	84	4245	86	4287	87
LDN4WW		80CRI							
Lumen Output	Wattage	30K/80CRI		35K/80CRI		40K/80CRI		50K/80CRI	
		Delivered Lumens	LPW	Delivered Lumens	LPW	Delivered Lumens	LPW	Delivered Lumens	LPW
AL01 (500LM)	6	561	97	574	99	587	101	606	103
AL01 (750LM)	9	888	100	908	101	930	103	959	106
AL01 (1000LM)	13	1246	97	1275	98	1305	100	1346	102
AL02 (1000LM)	13	1321	106	1352	108	1384	110	1427	113
AL02 (1500LM)	19	1928	103	1973	105	2020	106	2083	109
AL02 (2000LM)	25	2429	98	2485	99	2544	101	2623	104
AL03 (2000LM)	25	2499	101	2557	103	2618	105	2699	107
AL03 (2500LM)	32	3017	96	3087	98	3160	99	3258	102
AL03 (3000LM)	38	3426	91	3506	93	3589	95	3700	97
AL04 (4000LM)	39	4031	104	4113	106	4195	108	4236	109
AL04 (4500LM)	44	4449	101	4539	103	4630	105	4676	107
AL04 (5000LM)	49	4838	98	4937	100	5035	102	5085	103
LDN4WW		90CRI							
Lumen Output	Wattage	30K/90CRI		35K/90CRI		40K/90CRI		50K/90CRI	
		Delivered Lumens	LPW	Delivered Lumens	LPW	Delivered Lumens	LPW	Delivered Lumens	LPW
AL01 (500LM)	6	490	85	503	87	517	89	530	90
AL01 (750LM)	9	776	87	797	89	818	91	839	93
AL01 (1000LM)	13	1089	84	1119	86	1148	88	1178	90
AL02 (1000LM)	13	1155	93	1186	95	1217	97	1248	99
AL02 (1500LM)	19	1685	90	1731	92	1777	94	1822	95
AL02 (2000LM)	25	2123	85	2180	87	2238	89	2295	91
AL03 (2000LM)	25	2184	88	2243	90	2302	92	2362	94
AL03 (2500LM)	32	2637	84	2708	86	2780	87	2851	89
AL03 (3000LM)	38	2994	80	3076	81	3157	83	3238	85
AL04 (4000LM)	39	3346	86	3414	88	3482	90	3516	91
AL04 (4500LM)	44	3692	84	3768	86	3843	88	3881	88
AL04 (5000LM)	49	4015	81	4097	83	4179	85	4220	86

LDN4 SWW

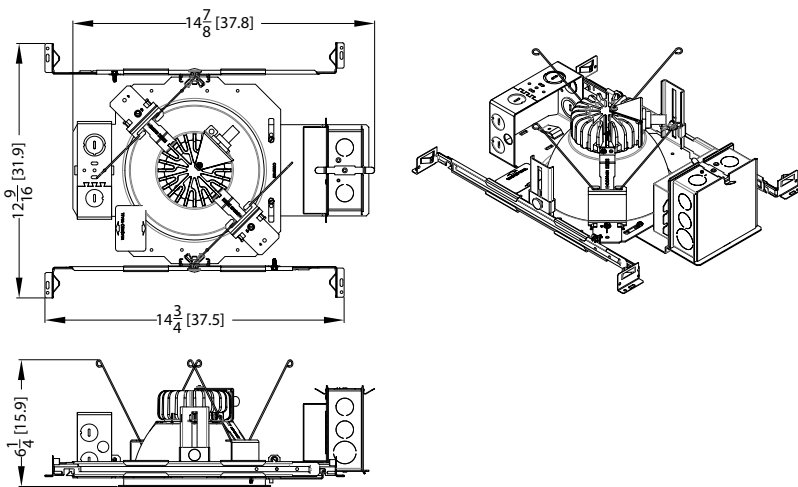
* All dimensions are inches (centimeters) unless otherwise noted.

LDN4 SWW1 500-3000LM



LDN4 SWW1 IC RATING	
AL01	IC
AL02	NON-IC
AL03	NON-IC

LDN4 SWW1 CP 500-3000LM



LUMEN OUTPUT MULTIPLIERS - FINISH	
Specular (LS)	1.05
Semi-specular (LSS)	1.00
Matte diffuse (LD)	0.85

LUMEN OUTPUT MULTIPLIERS - CCT			
3000K	3500K	4000K	5000K
0.98	1.0	1.01	1.03

HOW TO ESTIMATE DELIVERED LUMENS IN EMERGENCY MODE

Use the formula below to estimate the delivered lumens in emergency mode

Delivered Lumens = 1.25 x P x LPW

P = Output power of emergency driver. P = 10W for PS1055CP

LPW = Lumen per watt rating of the luminaire. This information is available on the ABL luminaire spec sheet.

The LPW rating is also available at Designlight Consortium.

Notes

- Tested in accordance with IESNA LM-79-08.
- Tested to current IES and NEMA standards under stabilized laboratory conditions.
- CRI: 80 typical.

DIMMER COMPATIBILITY

Not compatible with DALI or DMX dimmers. For specific compatible dimmers see below.

COMPATIBLE LINE VOLTAGE DIMMERS:

TYPE	FORWARD PHASE	S (500-1000LM)	M (1000-2000LM)	L (2000-3000LM)	COMMENT
MLV	Lutron Glyder GLV-600	YES	YES	YES	
INC	Leviton SureSlide 6633	YES	YES	YES	
MLV	Lutron Diva DVLV-600P	YES	YES	YES	
MLV	Lutron Skylark SLV-600P	YES	YES	YES	
INC	Lutron RadioRA 2 10ND	YES	YES	YES	
MLV	Leviton SureSlide 6613-PLW	YES	YES	YES	
INC	Lutron Diva DVCL-153P	YES	YES	YES	
MLV	Leviton IPM06	YES, 2x *	YES	YES	* min 2 fixtures
INC	Leviton IPI06	YES, 2x *	YES	YES	* min 2 fixtures
MLV	Synergy ISD 600LV	YES, 2x *	YES	YES	* min 2 fixtures
INC	Synergy ISD 600I	YES, 2x *	YES	YES	* min 2 fixtures
INC	CONTROL4 C4-FPD 120	YES	YES	YES	

Type	Reverse Phase Dimmer Bank	S (500-1000lm)	M (1000-2000lm)	L (2000-3000lm)	
ELV	Lutron Nova T NTELV-600	YES	YES	YES	
ELV	Lutron Diva DVELV 600P	YES	YES	YES	
ELV	Lutron Maestro MAELV 600	YES	YES	YES	
ELV	Leviton Vizia VPE06-1LX	YES	YES	YES	
ELV	Leviton Illumatech IPE04	YES	YES	YES	
ELV	CONTROL4 C4-APD 120 REVERSE PHASE	YES	YES	YES	

Type	Miscellaneous Dimmers	S (500-1000lm)	M (1000-2000lm)	L (2000-3000lm)	
PHA	LUTRON RADIORA2 RRD-6NA	YES	YES	YES	
PHA	Lutron Maestro PRO LED+ RRD-PRO	YES	YES	YES	

Type	Control Systems	S (500-1000lm)	M (1000-2000lm)	L (2000-3000lm)	
MLV	Lutron LP-RPM-4U	YES	YES	YES	
PHA	Lutron LP-RPM-4A	YES	YES	YES	
MLV	Lutron GRAPHIC EYE QSGRJ-3P	YES	YES	YES	
PHA	Lutron PA Power Module PHPM-PA-120	YES	YES	YES	
ELV	Lutron nLight nSP5PCD ELV	YES	YES	YES	

COMPATIBLE 0-10V DIMMERS:

MANUFACTURER	SYSTEM TYPE	DESCRIPTION	P/N	S (500-1000LM)	M (1000-2000LM)	L (2000-3000LM)
Lutron	Other	0-10V (sink or source) PowPak wireless dimming module	RMJ-ST-DV-B	YES	YES	YES
Wattstopper	Control System	Digital single relay room controller (0-10V)	LMRC-211	YES	YES	YES
Crestron	Control System	DIN Rail 0-10V fluorescent dimmer, 4 feeds, 4 channels (Green Light System)	DIN-4DIMFLV4	YES	YES	YES
Lutron	Other	Grafik Eye 0-10V adapter	GRX-TVI	YES	YES	YES
Leviton	Wall Box	Illumatech 0-10V	IP710-DLX	YES	YES	YES
Lutron	Control System	Mounted in the Homeworks QS panel - 0-10V dimmer (sink or source)	GRX-TVM2	YES	YES	YES
Lutron	Wall Box	Nova 0-10V wallbox dimmer (use with PP-120-H line voltage relay)	NTFTV	YES	YES	YES
Lutron	Wall Box	Nova 0-10V wallbox dimmer (use with PP-120-H line voltage relay)	NTSTV-DV	YES	YES	YES
Lutron	Wall Box	Nova T	NFTV	YES	YES	YES
Leviton	Wall Box	Renior II 0-10V	AWSMG-7DW	YES	YES	YES
ACUITY	Wall Box	sensorswitch, wall switch sensor, occupancy controlled dimming	WSX D WH	YES	YES	YES
ACUITY	Control System	nLight	nPP16D	YES	YES	YES
ACUITY	Control System	nLight	nPS 80 EZ	YES	YES	YES
ACUITY	Control System	nLight Air	rPP20 D	YES	YES	YES

A+ Capable Luminaire

This item is an A+ capable luminaire, which has been designed and tested to provide consistent color appearance and out-of-the-box control compatibility with simple commissioning.

- All configurations of this luminaire meet the Acuity Brands' specification for chromatic consistency
- This luminaire is part of an A+ Certified solution for nLight® control networks when ordered with drivers marked by a shaded background*
- This luminaire is part of an A+ Certified solution for nLight control networks, providing advanced control functionality at the luminaire level, when selection includes driver and control options marked by a shaded background*

To learn more about A+, visit www.acuitybrands.com/aplus.

*See ordering tree for details