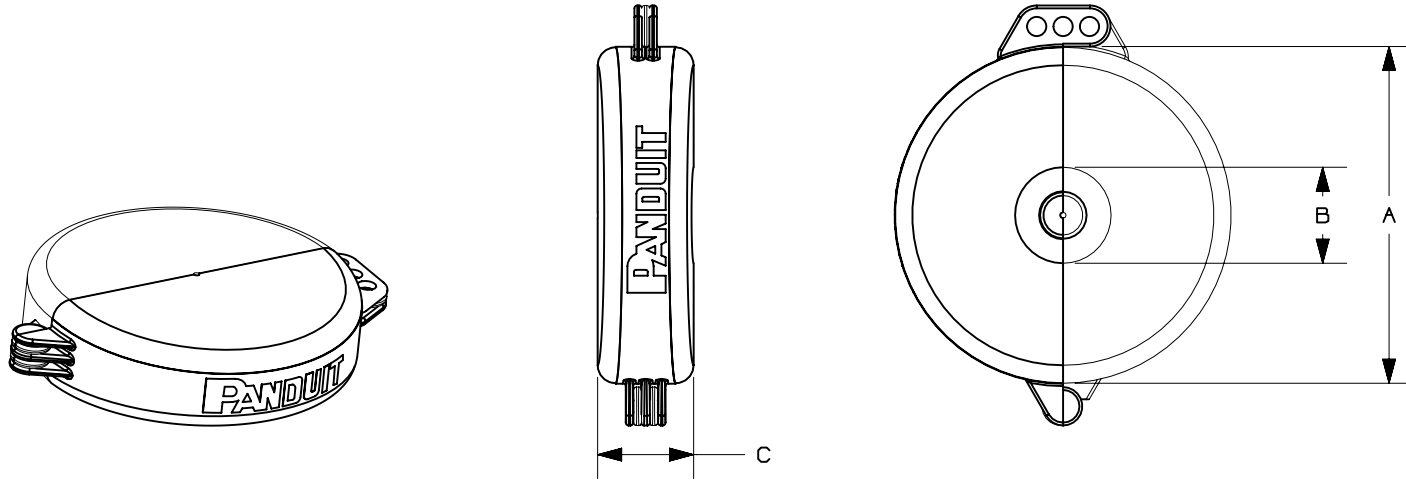


THIS COPY IS PROVIDED ON A RESTRICTED BASIS AND IS NOT TO BE USED IN ANY WAY DETRIMENTAL TO THE INTERESTS OF PANDUIT CORP.

PART NUMBER	COLOR	VALVE HANDLE SIZE IN. [MM]	DIM. "A" IN. [MM]	DIM. "B" IN. [MM]	DIM. "C" IN. [MM]	STANDARD PKG.
PSL-V2A	RED	1.0-3.0 [25-76]	3.5 [89]	.75 [19]	1.5 [38]	1
PSL-V2BLU	BLUE	1.0-2.5 [25-63]	3.0 [76]	.75 [19]	1.5 [38]	
PSL-V2GRN	GREEN	1.0-2.5 [25-63]	3.0 [76]	.75 [19]	1.5 [38]	
PSL-V2YEL	YELLOW	1.0-2.5 [25-63]	3.0 [76]	.75 [19]	1.5 [38]	
PSL-V4	RED	2.5-5.0 [63-127]	5.5 [140]	1.7 [43]	1.75 [44]	
PSL-V4BLU	BLUE	2.5-5.0 [63-127]	5.5 [140]	1.7 [43]	1.75 [44]	
PSL-V4GRN	GREEN	2.5-5.0 [63-127]	5.5 [140]	1.7 [43]	1.75 [44]	
PSL-V4YEL	YELLOW	2.5-5.0 [63-127]	5.5 [140]	1.7 [43]	1.75 [44]	
PSL-V6A	RED	3.0-6.5 [76.2-165]	7.0 [178]	2.0 [51]	2.0 [51]	
PSL-V6BLU	BLUE	3.0-6.5 [76.2-165]	7.0 [178]	2.5 [63]	2.0 [51]	
PSL-V6GRN	GREEN	3.0-6.5 [76.2-165]	7.0 [178]	2.5 [63]	2.0 [51]	
PSL-V6YEL	YELLOW	3.0-6.5 [76.2-165]	7.0 [178]	2.5 [63]	2.0 [51]	
PSL-V9	RED	6.5-10.0 [165-254]	10.5 [267]	3.5 [89]	2.5 [63]	
PSL-V9YEL	YELLOW	6.5-10.0 [165-254]	10.5 [267]	3.5 [89]	2.5 [63]	
PSL-V13	RED	10.0-13.0 [254-330]	14.5 [368]	4.0 [101]	3.0 [76]	
PSL-V13YEL	YELLOW	10.0-13.0 [254-330]	14.5 [368]	4.0 [101]	3.0 [76]	



NOTES:
 1. [] DENOTE MILLIMETERS
 2. COLOR REQUIREMENTS
 RED - PMS186
 BLUE - PMS285
 GREEN - PMS335
 YELLOW - PMS109

REV	DATE	BY	CHK	APR	DESCRIPTION	ECN
5	1-7-14	JHAC	KLN	MJPF	UPDATED DIMENSION B FOR PSL-V6GRN, YEL, AND BLU	GAECN01536
4	12-19-13	JHAC	MSAD	CLW	UPDATED VALVE HANDLE SIZES FOR PSL-V2*, CHANGED DRAWING SIZE	GAECN01506
3	3-29-06	RVU			PSL-V2A: 1-2.5 WAS 1-3 PSL-V6A: 2.5-6.5 WAS 3.0-6.5	4429
2	1-24-06	RVU			ADDED PANTONE COLOR #	4335
1	9-8-05	RVU	DWY		PART NO.'S PSL-V2, PSL-V4, AND PSL-V6 OBSOLETE ADDED PART NO.'S PSL-VS2A AND PSL-V6A	4168
R	9-9-03	RVU	DWY		DRAWING RELEASE	3399

TITLE		PSL-V*** GATE VALVE LOCKOUTS		
ITEM REVISION NAME		CUSTOMER DRAWING		
DATASET FILE NAME		G01204NZ/02		
		PANDUIT		
UNLESS OTHERWISE SPECIFIED, DIMENSIONAL TOLERANCES ARE: IN [mm]		MATERIAL:		
.x ± .032 [.81] .xxx ± .01 [.25]		POLYPROPYLENE		
.xx ± .015 [.38] ANGLES ± 5°		DRAWING NUMBER:		
		C10094		
DRAWN BY	DATE	CHK	SCALE	
RVU	9-9-03	MSAD	1:4	
SHT 1 OF 1				A