

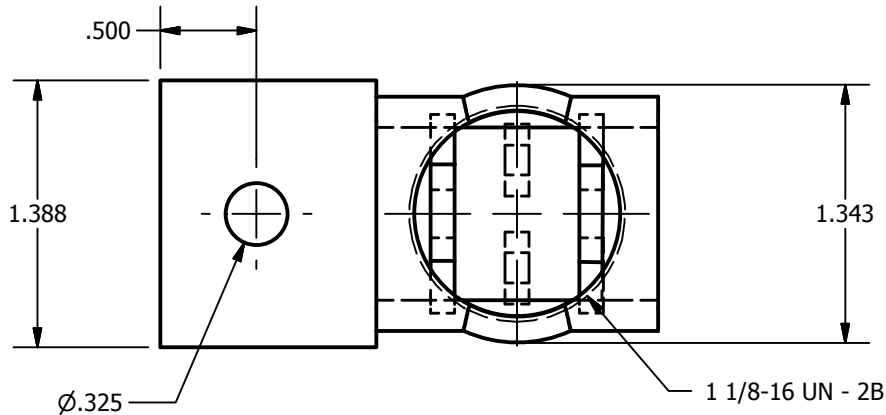


SCREW: E0289	MATERIAL: COPPER	REV: 0	ILSCO connections— matter	
CAT. NO.: SEE CHART	PLATING: SEE CHART	DRAWN BY: CLH	SCALE: 1:1	800-776-9775 www.ilsco.com
INFORMATION SHEET: FORM 1	MARKING: ILSCO, LY 600-S, 600MCM-1/0, TWO 4/0-1/0, CU  	DATE: 5/20/2008	SIZE: A	DWG. NO. D0783
				SHEET: 1 OF 1



DEV	PLATING
C00B	BRIGHT DIP
C00T	EL-TIN

