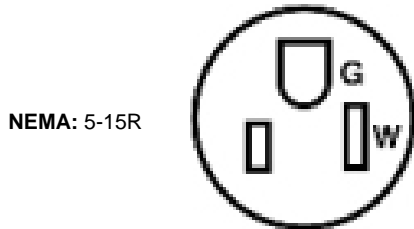


60W47



UPC Code: 07847706625

Country of Origin: United States - *Eligible for ARRA funded projects



*May include one or more globally sourced components.



Watertight and Dust-tight Devices

Brand Features

Leviton's Wetguard line of industrial watertight wiring devices are the most versatile, well-engineered watertight devices on the market. They meet IP67 and NEMA ratings for water ingress protection, and offer many significant advantages over competitive brands.

Item Description

15 Amp, 125 Volt, NEMA 5-15R, 2P, 3W, Flip Lid with Receptacle, Narrow Body Single Receptacle, Straight Blade, Industrial Grade, Grounding, Wetguard Flip Lid, Side Wired, Nickel-Plated Brass Strap, - YELLOW

Technical Information

AC Horsepower Ratings

At Rated Voltage: 1/2 HP

Electrical Specifications

Grounding: Grounding

Amperage: 15 Amp

Voltage: 125 Volt

Pole: 2

Wire: 3

Dielectric Voltage: Withstands 2000V per UL498

Current Limiting: Full Rated Current

Temperature Rise: Max 30C after 250 cycles OL at 200 percent rated current

Environmental Specifications

Flammability: Rated V-2 per UL94

Operating Temperature: -40C to 60C

Material Specifications

Face Material: Thermoplastic Nylon

Body Material: Thermoplastic Nylon

UL498: File E13399

Line Contacts: Nickel-Plated Brass Triple-Wipe

Terminal Screws: Nickel-Plated Brass 8-32

Grounding Screw: Nickel-Plated Brass 8-32

Yoke: Nickel-Plated Brass

Clamp Nuts: Nickel-Plated Brass

Body Material: Santoprene TPV

Compression Nut, Strain Relief: Nylon

Wire Module: Thermoplastic

Bushing: Santoprene TPV

Blades/Contacts: Nickel-Plated Brass

Assembly Screws: Stainless Steel 300

Terminal Screws: Nickel-Plated Brass

Color: Yellow

Mechanical Specifications

Terminal ID: Brass-Hot, Green-Ground, White-Neutral

Terminal Accom.: 14-10 AWG

Product ID: Ratings are permanently marked on device

Terminal ID: Brass-Hot, Green-Ground, Silver-Neutral

Terminal Accom.: 18-10 AWG

Product ID: Ratings and NEMA I.D. permanently marked on device

Cord Range: .375 - .655

Product Features

NEMA: 5-15R

Termination: Back

Face Material: Thermoplastic Nylon

Body Material: Thermoplastic Nylon

Strap Material: Nickel-Plated Brass

Color: Yellow

Standards and Certifications

CSA C22.2 No. 42: File 152105

NEMA: WD-6

ANSI: C-73

UL: 498

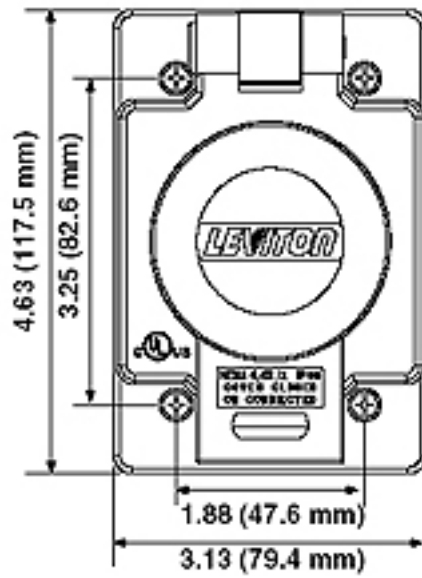
UL Fed Spec WC-596: File E13399

CSA C22.2 No. 42: File LR-406

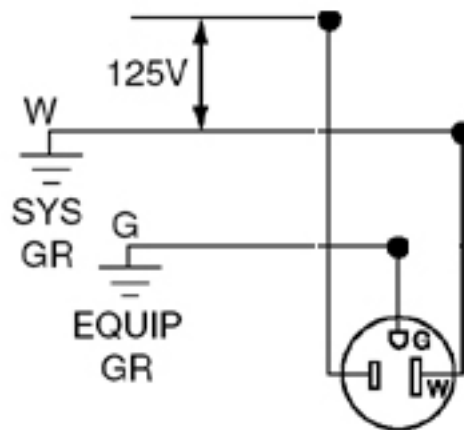
NOM: 057

Warranty: Lifetime Warranty

Dimensional Diagram



Wiring Diagram



5-15R

SPECIFICATION SUBMITTAL

JOB NAME:	CATALOG NUMBERS:	
<input type="text"/>	<input type="text"/>	<input type="text"/>
JOB NUMBER:	<input type="text"/>	<input type="text"/>

Leviton Manufacturing Co., Inc.

201 North Service Road, Melville, NY 11747

Telephone: 1-800-323-8920 · FAX: 1-800-832-9538 · Tech Line (8:30AM-7:30PM E.S.T. Monday-Friday): 1-800-824-3005

Leviton Manufacturing of Canada, Ltd.

165 Hymus Boulevard, Pointe Claire, Quebec H9R 1E9 · Telephone: 1-800-469-7890 ·

FAX: 1-800-824-3005 · www.leviton.com/canada

Leviton S. de R.L. de C.V.

Lago Tana 43, Mexico DF, Mexico CP 11290 · Tel.: (+52)55-5082-1040 · FAX: (+52)5386-1797 · www.leviton.com.mx

Visit our Website at: www.leviton.com

© 2012-2013 Leviton Manufacturing Co., Inc. All rights reserved. Subject to change without notice.



Leviton has a global presence.

If you would like to know where your local Leviton office is located please go to: www.leviton.com/international/contacts/

**Buy American Compliant Logo -- The American Recovery And Reinvestment Act of 2009 ("ARRA") provides federal grants and loans for projects throughout the country. Section 1605 of the Act, named the "Buy American" provision, requires that certain materials and manufactured products used in projects funded by the Act be manufactured in the United States. The appearance of the Recovery Act Logo in relation to a Leviton product is only intended to reflect that such product may be used in an ARRA funded project. It does not mean that such product or Leviton is sponsored or endorsed by, or that Leviton receives funds from, the federal government or the Recovery Accountability and Transparency Board. Nothing in Leviton's use of the logo is intended to suggest anything regarding the requirements for funding under ARRA.*