

### specifications

Pre-loaded fibre drawers provide a pre-configured, ready-to-install system for managing fibre optic terminations, connections and patching in a 1 RU rack mount enclosure. The pre-loaded enclosure accommodates both field termination and field splicing, and supports trunk cable entry via PG style glands, blown fibre glands and metric knockouts with rubber grommets. The pre-loaded enclosure is a two-piece design with a slide-out drawer for full access to all fibre terminations, easy moves, adds and changes and simple installation. The enclosure has silk-screened white areas adjacent to each adapter for individual fibre channel labelling and a similar silk-screen area for overall enclosure labelling. The enclosure has integral mounting brackets suitable for installation in any 19" wide EIA-310/IEC 60297 compatible rack or cabinet.



### technical information

<b>Dimensions:</b>	43.9mmH x 444.5mmW x 308.2mmD
<b>Mounting option:</b>	Integral brackets mount to 19" wide EIA-310/IEC 60297 rack rails
<b>Accessories:</b>	Mounting hardware and fibre routing accessory kit included; contains two FMS1 fibre management spools, two 30mm size rubber grommets, one PG11 cable gland, Panduit™ Pan-Ty™ Cable Ties and M6 x 1 mounting screws

### key features and benefits

<b>Pre-loaded with fibre optic adapters</b>	Factory configured with duplex SC, LC or E-2000 adapters for fast and easy cabling and installation
<b>Slide-out drawer</b>	Slides forward a full 300mm for service access to all fibre terminations, connections and splices
<b>Field terminate or fusion splice</b>	Supports both field termination via pot-and-polish or Panduit™ Opticom™ Connectors or field splicing (fusion or mechanical) with appropriate slack storage and cable management provisions
<b>Multiple cable entry methods</b>	Trunk and interconnect cable entry via PG11 glands, 5mm blown fibre glands, 20mm knockouts or 30mm rubber grommets
<b>Two-piece, all-metal body construction</b>	Simple and economical installation with no loose components to misplace; improved protection over plastic fibre drawers
<b>Dedicated labelling areas</b>	Silk-screened white labelling areas for individual fibre channel identification plus overall enclosure labelling

### applications

Panduit™ Opticom™ Pre-Loaded Fibre Drawers provide a factory configured, ready to install system for managing fibre optic terminations, connections and patching in a variety of applications. The enclosure can serve as a transition from backbone cabling to distribution switching in telecommunications rooms, can act as an interconnect to active equipment switches in a fibre to the zone application or can be used as a transition enclosure for splicing to service provider trunks and then patching to premise intra-building cabling.

The pre-loaded enclosures can terminate and manage up to 48 fibres in 1 RU depending on configuration and adapter type. Enclosures are pre-loaded with SC, LC or E-2000 style adapters suitable for use with 62.5/125µm (OM1), 50/125µm (OM2 or OM3/OM4) multimode or OS1/OS2 singlemode fibre. The simple two-piece design features a slide-out drawer for full access to all fibre terminations. This supports fast and intuitive installation plus easy moves, adds and changes.

#### Opticom™ Pre-Loaded Fibre Drawer for OM1 62.5/125µm Multimode Fibre

6 duplex SC adapters:	FD1W6EIDSC
12 duplex SC adapters:	FD1W12EIDSC
12 duplex LC adapters:	FD1W12EIDL
24 duplex LC adapters:	FD1W24EIDL

#### Opticom™ Pre-Loaded Fibre Drawer for OM2 50/125µm Multimode Fibre

6 duplex SC adapters:	FD1W6BLDSC
12 duplex SC adapters:	FD1W12BLDSC
12 duplex LC adapters:	FD1W12BLDL
24 duplex LC adapters:	FD1W24BLDL

#### Opticom™ Pre-Loaded Fibre Drawer for OM3/OM4 50/125µm Multimode Fibre

6 duplex SC adapters:	FD1W6AQDSC
12 duplex SC adapters:	FD1W12AQDSC
12 duplex LC adapters:	FD1W12AQDL
24 duplex LC adapters:	FD1W24AQDL

#### Opticom™ Pre-Loaded Fibre Drawer for OS1/OS2 9/125µm Singlemode Fibre

6 duplex SC adapters:	FD1W6BUDSCZ
12 duplex SC adapters:	FD1W12BUDSCZ
12 duplex LC adapters:	FD1W12BUDLCZ
24 duplex LC adapters:	FD1W24BUDLCZ
12 duplex E-2000 adapters:	FD1W12BUDE2KZ
24 duplex E-2000 adapters:	FD1W24BUDE2KZ

#### Opti-Core™ Patch Cords and Pigtails

Duplex SC to SC patch cords:	F^LD3-3M‡
Simplex SC to buffered pigtail:	F^B3-NM‡Y
Duplex LC to LC patch cords:	F^LE10-10M‡
Simplex LC to buffered pigtail:	F^B10-NM‡Y
Simplex E-2000 to buffered pigtail (singlemode only):	F9B16-NM‡

#### Opticom™ Splicing Accessories

Fibre splice chip, 24 fusion splices:	FSC24
Fibre splice module, 24 fusion splices:	FOSMF
Fibre splice module, 12 mechanical splices:	FOSMM

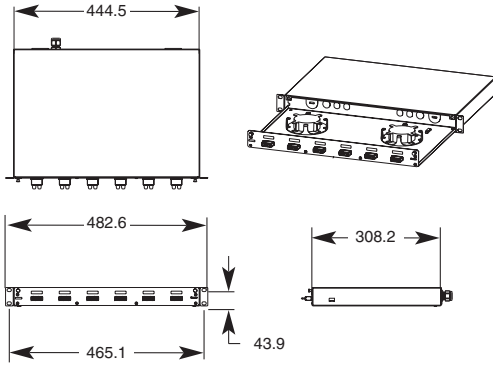
^Substitute for fibre type 6 (OM1 – 62.5/125µm), 5 (OM2 – 50/125µm), X (OM3/OM4 – 10GigE™ 50/125µm) and 9 (OS/OS2-9/125µm).

‡Substitute for length in metres: Patch cords – 1 – 10, 15, 20, 25 or 30; pigtails – 1, 2 or 3. Contact Customer Service for other available lengths.

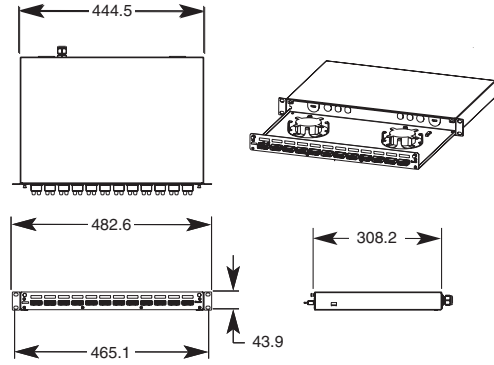
# Opticom™ Pre-Loaded Fibre Drawers

## fibre capacities

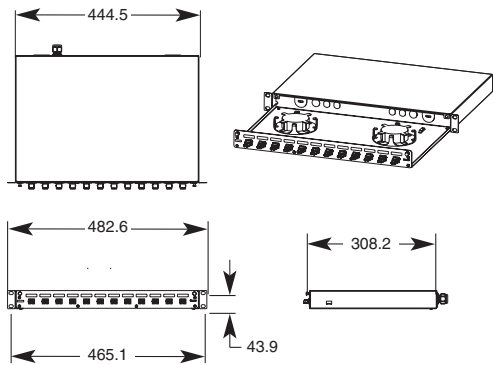
Enclosure Part Number				Adapter Count	Adapter Type	Simplex/Duplex
OM1	OM2	OM3/OM4	OS1/OS2			
FD1W6EIDSC	FD1W6BLDSC	FD1W6AQDSC	FD1W6BUDSCZ	6	SC	Duplex
FD1W12EIDSC	FD1W12BLDSC	FD1W12AQDSC	FD1W12BUDSCZ	12	SC	Duplex
FD1W12EIDLCL	FD1W12BLDLC	FD1W12AQDLC	FD1W12BUDLCZ	12	LC	Duplex
FD1W24EIDLCL	FD1W24BLDLC	FD1W24AQDLC	FD1W24BUDLCZ	24	LC	Duplex
—	—	—	FD1W12BUDE2KZ	12	E-2000	Duplex
—	—	—	FD1W24BUDE2KZ	24	E-2000	Duplex



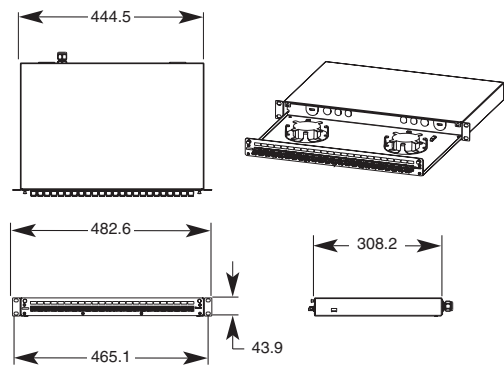
FD1W6\*\*DSC



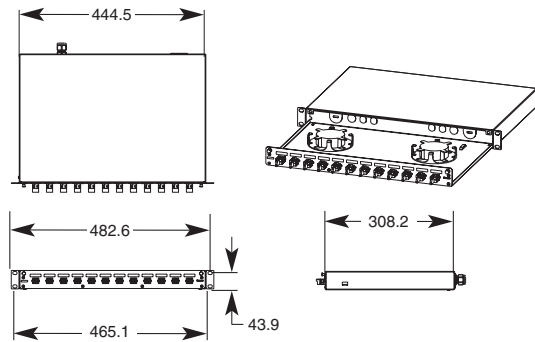
FD1W12\*\*DSC



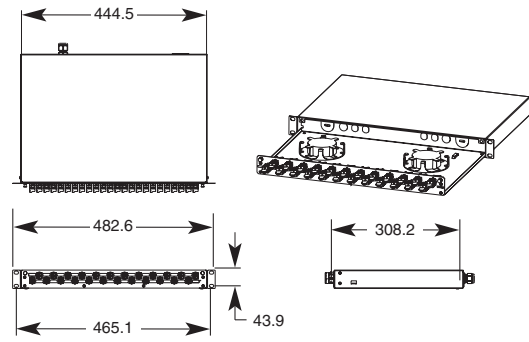
FD1W12\*\*DLC



FD1W24\*\*DLC



FD1W12BUDE2KZ



FD1W24BUDE2KZ

\*\*Substitute for adapter colour/fibre type: EI (Electric Ivory/OM1 62.5/125µm), BL (Black/OM2 50/125µm), AQ (Aqua/OM3/OM4 10Gig™ 50/125µm) or BU and add Z to end (Blue/OS1/OS2 9/125µm).

Dimensions are in millimetres

### WORLDWIDE SUBSIDIARIES AND SALES OFFICES

PANDUIT CANADA  
Markham, Ontario  
cs-cdn@panduit.com  
Phone: 800.777.3300

PANDUIT EUROPE LTD.  
London, UK  
cs-emea@panduit.com  
Phone: 44.20.8601.7200

PANDUIT SINGAPORE PTE. LTD.  
Republic of Singapore  
cs-ap@panduit.com  
Phone: 65.6305.7575

PANDUIT JAPAN  
Tokyo, Japan  
cs-japan@panduit.com  
Phone: 81.3.6863.6000

PANDUIT LATIN AMERICA  
Jalisco, Mexico  
cs-la@panduit.com  
Phone: 52.33.3777.6000

PANDUIT AUSTRALIA PTY. LTD.  
Victoria, Australia  
cs-aus@panduit.com  
Phone: 61.3.9794.9020

For a copy of Panduit product warranties, log on to [www.panduit.com/warranty](http://www.panduit.com/warranty)

For more information

Visit us at [www.panduit.com](http://www.panduit.com)

Contact Customer Service by email:  
cs-emea@panduit.com

**PANDUIT™**

© 2009 Panduit Corp.  
ALL RIGHTS RESERVED.  
Printed in the EU  
WW-RKSP42-GB  
Replaces SA-FBSP32  
9/2009