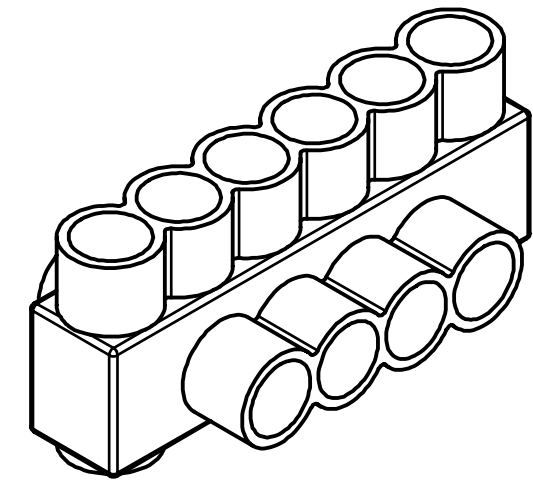
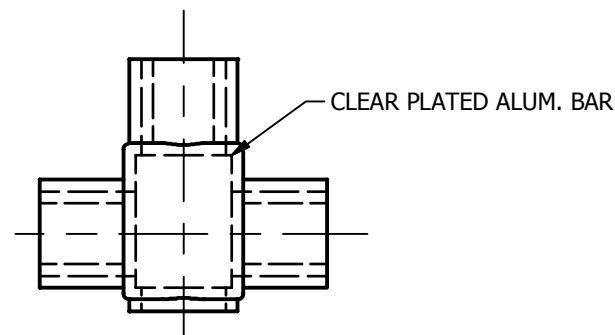
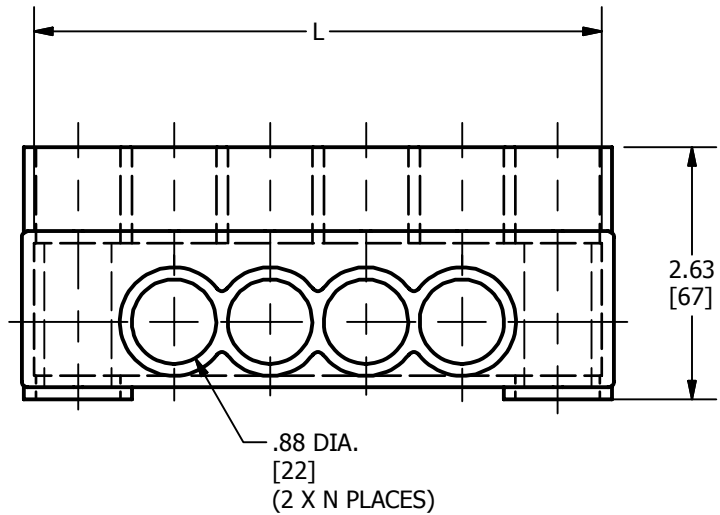
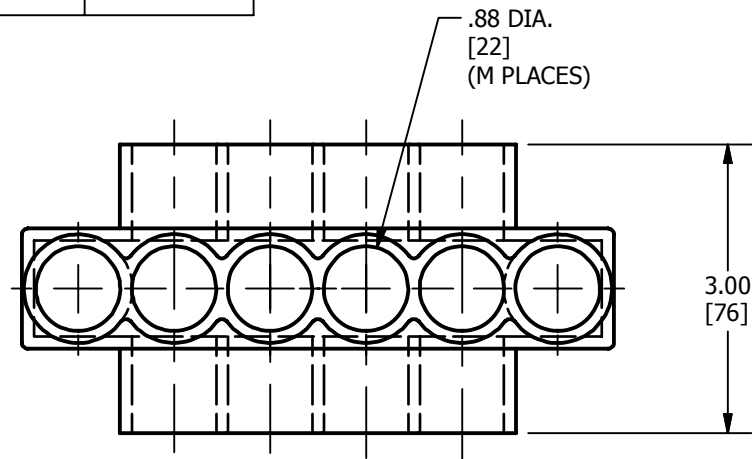


CATALOG NO.	L	N	M
1PLMD3504	5.92 [150]	4	6
1PLMD3506	7.92 [201]	6	8
1PLMD3508	9.92 [252]	8	10
1PLMD35010	11.92 [303]	10	12
1PLMD35012	13.92 [354]	12	14

REV	DATE	DESCRIPTION	ECO	BY	C'H'K.
A	11/29/2012	NEW SALES DRAWING CREATION	29538	PS	MB



3D VIEW

**NOTES:**

1. DIMENSIONS IN BRACKETS [ ] ARE IN MILLIMETERS ROUNDED OFF TO THE NEAREST MILLIMETER, UNLESS OTHERWISE SPECIFIED AND ARE FOR REFERENCE ONLY.
2. ALL CONNECTORS ARE "UL" LISTED AND "CSA" CERTIFIED FOR AL9CU, 90°C APPLICATION.
3. RECOMMENDED MINIMUM CONDUCTOR TORQUE 275 IN/LB.

TO ORDER BURNDY® PRODUCTS CALL		UNITAP™, MOUNTED BLOCK	
UNITED STATES 1-800-346-4175 (LONDONDERRY, NH)		ITEM NO: --	
CANADA: 1-800-361-6975 (QUEBEC) 1-800-387-6487 (ALL OTHER PROVINCES)		CAT. NO: 1PLMD350--(TABLE)	
FOR PRODUCT INFO: <a href="http://www.burndy.com">http://www.burndy.com</a>		DRAWN BY: S.PRASANNA 11/29/2012	
		CHECKER: D.SPURRELL 6/13/2013	
		DSN APRVL: T.REYNOLDS 7/11/2013	
		MFG APRVL: D.SPURRELL 6/13/2013	
		QA APRVL: C.KOWALCZYK 7/3/2013	
		MKT APRVL: M.BAILLY 6/17/2013	
		PROD FAM: --	
		DRAWING NO	
		50015723	
		REV	
		A	
		SHEET 1 OF 1	