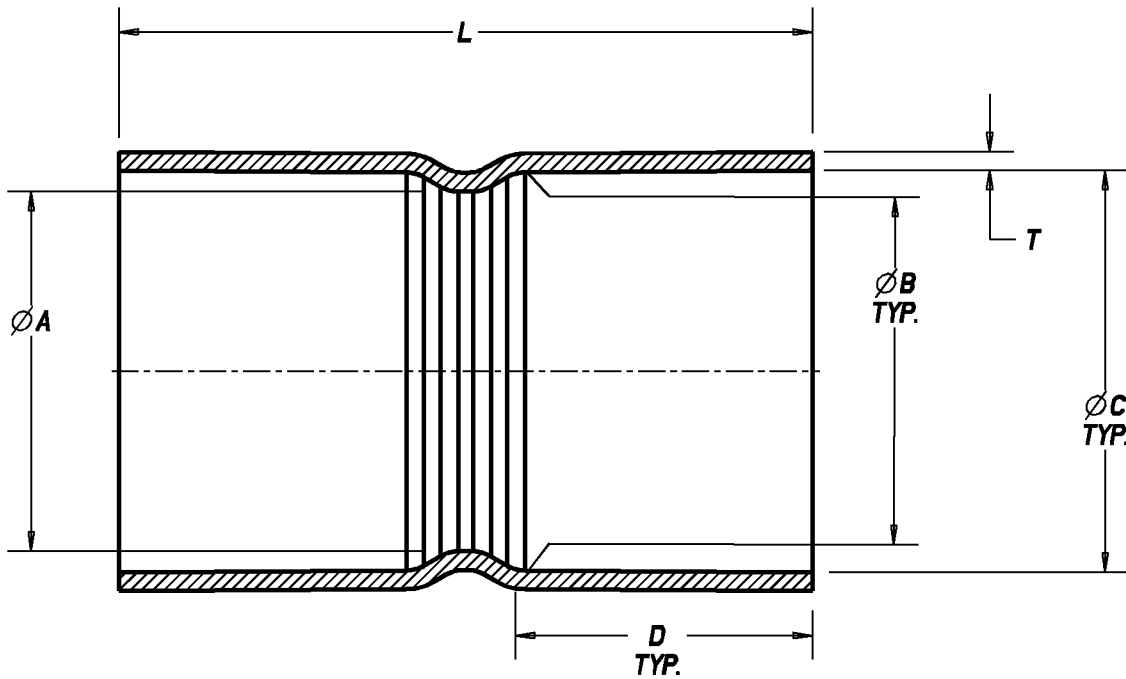


# Carlton®



FABRICATED

PART NO.	SIZE	ØA	ØB	ØC	D	T	L
E941PF	5"	5.00	5.53	5.58	4.12	.26	9.63
		[127.0]	[140.5]	[141.7]	[104.6]	[6.6]	[244.6]
E941RF	6"	6.06	6.58	6.67	5.00	.28	11.25
		[153.9]	[167.1]	[169.4]	[127.0]	[7.1]	[285.8]

#### GENERAL NOTES

1. ALL DIMENSIONS ARE FOR REFERENCE ONLY.
2. DIMENSIONS IN BRACKETS [ ] ARE IN METRIC UNITS.

#### REVISIONS

B SEE ERN 2014325 FOR APPROVAL SIGNATURES & RELEASE DATE.  
PROJECT NO: 5AM000012

**Thomas & Betts**  
www.tnb.com

DESCRIPTION: **COUPLING - DEEP SOCKET**

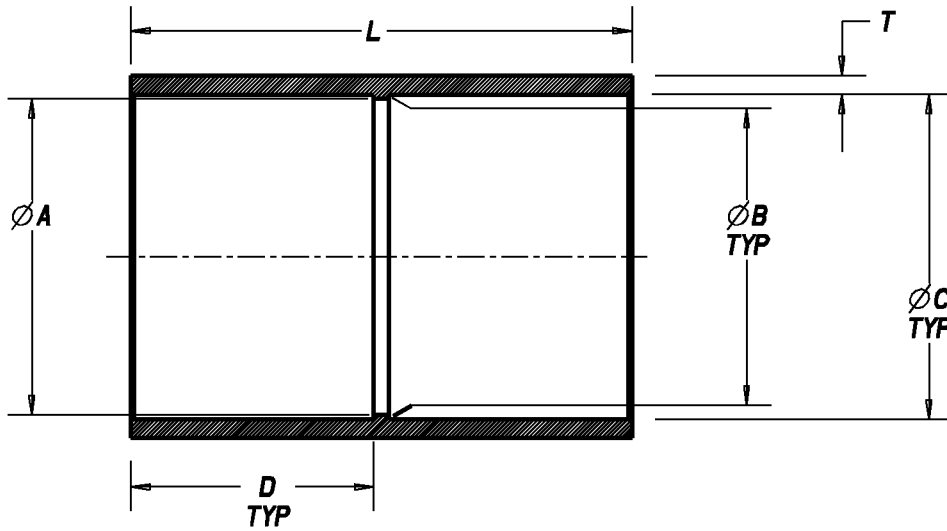
ORIGINAL PROJECT NO / ( ERN NO )  
/ ( )

SHEET NO:  
1 OF 2

REV. NO:  
**B**

DRAWING NO:  
**WSD-AC03960**

# Carlton®



MOLDED

PART NO.	SIZE	ØA	ØB	ØC	D	T	L
E941H	1 1/2"	1.59 [40.4]	1.89 [48.0]	1.92 [48.7]	1.50 [38.1]	.20 [5.1]	3.19 [81.0]
E941J	2"	2.29 [58.2]	2.37 [60.2]	2.39 [60.7]	1.67 [42.4]	.17 [4.3]	3.59 [91.2]
E941K	2 1/2"	2.45 [62.2]	2.87 [72.9]	2.89 [73.4]	2.00 [50.8]	.23 [5.8]	4.29 [109.0]
E941L	3"	3.39 [86.1]	3.49 [88.7]	3.52 [89.4]	3.12 [79.2]	.22 [5.6]	6.44 [163.6]
E941N	4"	4.39 [111.5]	4.49 [114.0]	4.52 [114.8]	3.38 [85.9]	.26 [6.6]	6.96 [176.8]

**Thomas & Betts**  
www.tnb.com

DESCRIPTION: **COUPLING - DEEP SOCKET**

SHEET NO:  
**2 OF 2**

REV. NO:  
**B**

DRAWING NO:  
**WSD-AC03960**