

Core & Coil (71A) MH > 450W

CORE & COIL HID MH BAL 1500W M48 QUAD KIT

The basic ballast is the open core and coil which is most often used as a component within a lighting luminaire. The core and coil also forms the nucleus of Philips Advance's five other ballast configurations.

Product data

• General Characteristics

Lamp Type	1500W MH
Number of Lamps	1 piece
Line Voltage	120/208/240/277 V
Input Current (Operating)	13.4/7.8/6.8/5.9 A
Line Frequency	60 Hz
Circuit Type	CWA
Ballast Type	Magnetic HID
Base Model	71A6772
Core Size	4 1/4 x 6 (2 Coil NB)
Suitable for Outdoor use?	Yes
Ignitor Catalog Number	NA
Ignitor Temp Rating	NA
Capacitor value [µF]	32 MFD
Capacitor Catalog Number	MD3202100
Capacitor Requirements	525V
Capacitor Temp Rating	90°C
Capacitor Dia/Oval Dim	2 in
Capacitor Height	3.75 in
Family Name	Core & Coil MH High Power

• Operating Characteristics

Automatic restart	No
Input Voltage at Lamp Dropout	70/120/135/150 V
Nominal Open Circuit Voltage	460 V
Inp. Current (Open Circuit)	5.72/3.29/3.04/2.57 A

Input Current (Starting)	10.8/6.13/5.42/4.72 A
Input Current Short Circuit	9.1-13.6/5.22-7.83/4.56-6.84/3.96-5.95 V
Secondary ShortCircuit Current	7.29-8.9 A
Input Power Gear	1610 W
Constant wattage deviation	12%
Ballast factor	1 -
Power Factor	0.90

• Wiring Characteristics

Wire Striplength	0.5 mm
Wire Length by Color	12"
Wire Type	Stranded
Allowed Wiring Config(Remote)	Yes
Max Dist. Ball to Lamp(Remote)	Determined by AWG used
Recommended Fuse	30/25/20/15 A

• System Chars on driver level

Rated Lamp Watts	1500W
------------------	-------

• Product Dimensions

Length A1	6 in
Length A2	5.4 in
Length A3	4.4 in
Width B1	4.3 in
Coil Depth C1	6.7 in
Stack Height C2	4.7 in
Width B2	3.9 in

PHILIPS

Core & Coil (71A) MH > 450W

• Approval & Application Chars

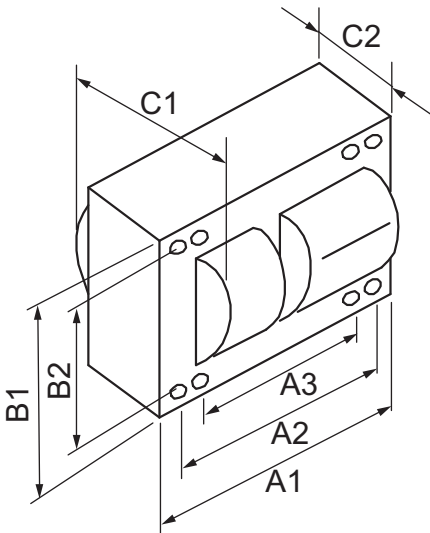
Approbation Marks	ULR, CSA, RoHS
CE marking	No
VDE certificate	No
UL Listed	No
CSA certificate	Yes
CCC certificate	No
China Quality Certificate	No
Temperature marking	G/E/E/G
CEC Listing	No
cUL certificate	No
EISA	No
ETL Certificate	No
FIDE Certificate	No
NOM certificate	No
RoHS Compliant	Yes
SASO Certificate	No
UL Recognized	Yes

ANSI Code	M48
HiPot Test (1 minute)	2000 V
HiPot Test (2 seconds)	2500 V
Open Circ Voltage Test (Volts)	414-506 V
UL Insulation Class	H(180°C)
UL Temperature Code	1029G

• Product Data

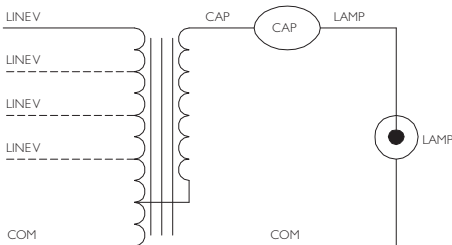
Product number	71A6772001
Full product name	MH BAL 1500W M48 QUAD KIT
Short product name	MH BAL 1500W M48 QUAD KIT
Pieces per Sku	1
Skus/Case	1
Bar code on pack	781087677216
Bar code on case	30781087677217
Logistics code(s)	913700574909
eop_net_weight_pp	14.302 kg

Dimensional drawing



CORE & COIL HID MH BAL 1500W M48 QUAD KIT

Product	A1 (Norm)	A2 (Norm)	A3 (Norm)	B1 (Norm)	B2 (Norm)	C1 (Norm)	C2 (Norm)	C3 (Norm)
MH BAL 1500W M48 QUAD KIT	6	5.4	4.4	4.3	3.9	6.7	4.7	-





© 2014 Koninklijke Philips N.V. (Royal Philips)
All rights reserved.

Specifications are subject to change without notice. Trademarks are the property of Koninklijke Philips N.V. (Royal Philips) or their respective owners.

www.philips.com/lighting

2014, March 26
data subject to change