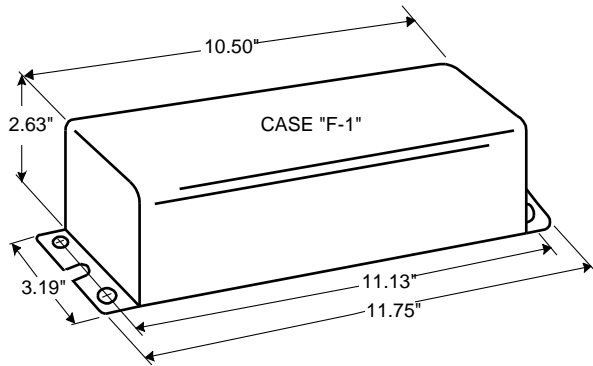


DIMENSIONS AND DATA



INPUT VOLTS	120	277			
CIRCUIT TYPE	HX-HPF				
POWER FACTOR (min)	90%				
REGULATION					
Line Volts	±5%				
Lamp Watts	WITHIN TRAPEZOID				
LINE CURRENT (Amps)					
Operating.....	0.65	0.30			
Open Circuit.....	1.40	0.62			
Starting.....	0.70	0.35			
UL TEMPERATURE RATINGS	A (105°C)				
Insulation Class	1029				
Coil Temperature Code	A	A			
MIN. AMBIENT STARTING TEMP.	120				
NOM. OPEN CIRCUIT VOLTAGE					
INPUT VOLTAGE AT LAMP DROPOUT.....	65	90	208		
INPUT WATTS					
RECOMMENDED FUSE (Amps).....	4	2			
CORE and COIL					
Dimension (A)	11				
Dimension (B)	12"				
Weight (lbs.)					
Lead Lengths					
CAPACITOR REQUIREMENT					
Microfarads					
Volts (min.)					
Fault Current Withstand (amps)					
60 Hz TEST PROCEDURES (Refer to Philips Lighting Electronics N.A. TEST Procedure for HID Ballasts - Form 127)					
High Potential Test (Volts)	1600				
1 minute	2000				
2 seconds	110-130				
Open Circuit Voltage Test (Volts)	1.55-1.95				
Short-Circuit Current Test (Amps)					
Secondary Current					
Input Current.....	0.60-	0.28-	-	-	-
	0.95	0.42			

Capacitor:

The capacitor is included as part of the potted assembly.

Ignitor: IN CAN

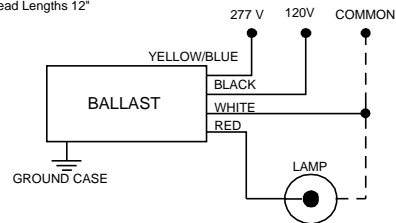
The ignitor is included as part of the potted assembly.

Ballast to Lamp Distance (BTL) = 15 feet
Temp Rating: 90°C



Wiring Diagram:

All Lead Lengths 12"



F-Can Wiring Diagram

Typical Ordering Information

(please call Philips Lighting Electronics N.A. for suffix availability)

Order Suffix	Description

Data is based upon tests performed by Philips Lighting Electronics N.A. in a controlled environment and is representative of relative performance. Actual performance can vary depending on operating conditions. Specifications are subject to change without notice.

PHILIPS LIGHTING ELECTRONICS N.A.

10275 WEST HIGGINS ROAD · ROSEMONT, IL 60018

Tel: 800-322-2086 · Fax: 888-423-1882 · www.philips.com/advance

Customer Support/Technical Service: 800-372-3331 · OEM Support: 866-915-5886

Revised: 09/03/99