

7420-EB

Item Description

1-Gang Weatherproof Cover for Strap Mount Single Locking Receptacles, 1.60 Inch Diameter, FS/FD Box Mount, Industrial Grade, IP64, NEMA 3R, Vertical Self Closing Lid - BLACK



Color:  Black

UPC Code: 07847788809

Country Of Origin: Mexico

Technical Information

Material Specifications

Material: Thermoplastic Glass-Filled

Mounting Screws: Stainless Steel

Torsion Spring Mechanism: Stainless Steel

Product Features

Color: Black

Standards and Certifications

CSA Standard: C22.2 No. 18.1 and/or 42.1

RoHS: Compliant

UL Standard: UL 514C, UL514D

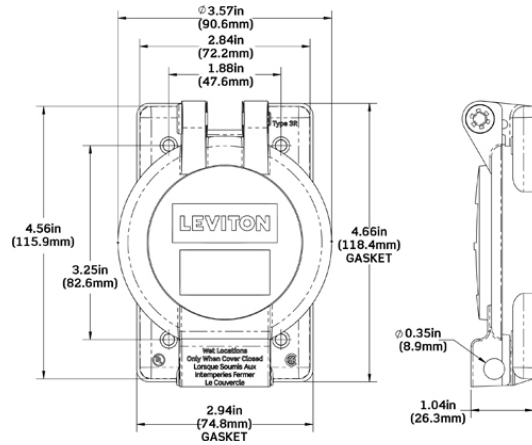
Warranty

Warranty: 10-Year Limited

Environmental Specifications

IP Rating: IP64

NEMA Rating: Type 3R



SPECIFICATION SUBMITTAL

JOB NAME:	CATALOG NUMBERS:	
<input type="text"/>	<input type="text"/>	<input type="text"/>
JOB NUMBER:	<input type="text"/>	<input type="text"/>

Leviton Manufacturing Co., Inc.

201 North Service Road, Melville, NY 11747

Teléfono: +1-800-323-8920 · FAX: +1-800-832-9538 · Tech Line (8:30AM-7:30PM E.S.T. Monday-Friday): +1-800-824-3005

Leviton Manufacturing of Canada, Ltd.

165 Hymus Boulevard, Pointe Claire, Quebec H9R 1E9 · Telephone: +1-800-469-7890 ·

FAX: +1-800-824-3005 · www.leviton.com/canada

Leviton S. de R.L. de C.V.

Lago Tana 43, Mexico DF, Mexico CP 11290 · Tel.: (+52)55-5082-1040 · FAX: (+52)5386-

1797 · www.leviton.com.mx

Visit our Website at: www.leviton.com

© 2018 Leviton Manufacturing Co., Inc. Todos los derechos reservados. Subject to change without notice.

Leviton has a global presence.

If you would like to know where your local Leviton office is located please go to:

www.leviton.com/international/contacts/

