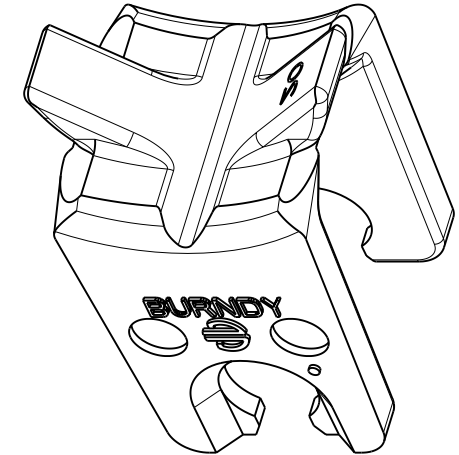
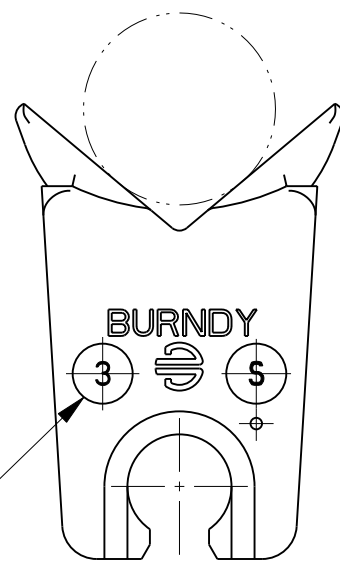
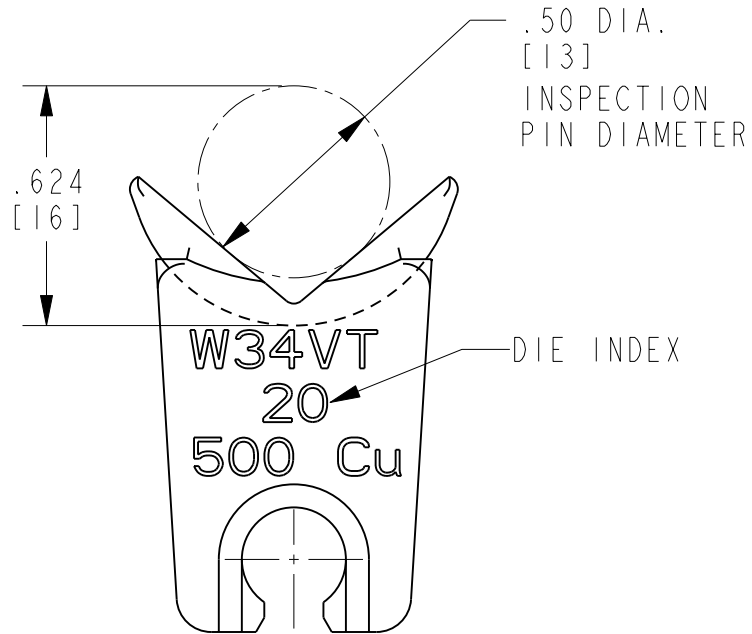
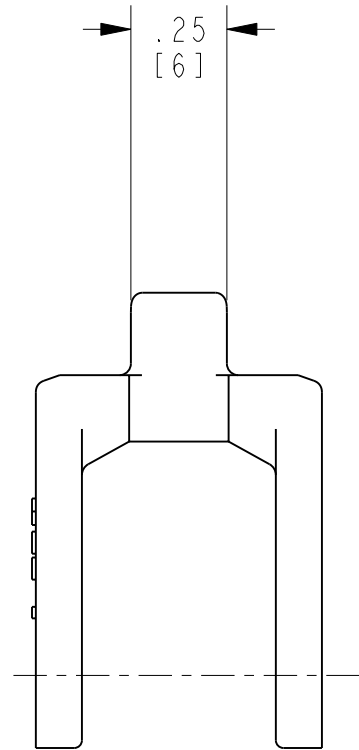
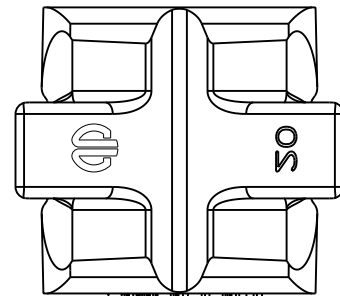


REV.	DATE	DESCRIPTION	ECO	BY	C'H'K.
B	04/23/2015 00:00:00 AM	UPDATED AS PER MARKUP	39224	MG	RM



NOTES:

1. DIMENSIONS IN BRACKETS [] ARE IN MILLIMETERS ROUNDED OFF TO THE NEAREST MILLIMETER, UNLESS OTHERWISE NOTED, AND ARE FOR REFERENCE ONLY.

2. MATERIAL: STAINLESS STEEL

3 CATALOG NUMBER CONSIST OF TWO DIE HALVES.

TO ORDER BURNDY® PRODUCTS CALL
 UNITED STATES:
 1-800-346-4175 (LONDONDERRY, NH)
 CANADA:
 1-800-361-6975 (QUEBEC)
 1-800-387-6487 (ALL OTHER PROVINCES)
 FOR PRODUCT INFO: <http://www.burndy.com>

W-DIES		SCALE: 2:1
ITEM NO: --		
CAT. NO: W34VT		
DRAWN BY: M RAJASEKAR 6/12/2009	DRAWING NO	REV
CHECKER: R RICK 7/13/2009	10102378	B
DSN APPVL: R RICK 7/13/2009	SHEET 1 OF 1	
MFG APPVL: S HOPPS 8/11/2009		
QA APPVL: A CHARLES 7/15/2009		
MKT APPVL: P ROBERT 7/09/2009		
PROD FAM: TOOLS_MECHANICAL		
PROJECT #: --		
DOCUMENT TYPE: Sales		
REL LEVEL: Released		

REV: PE0200