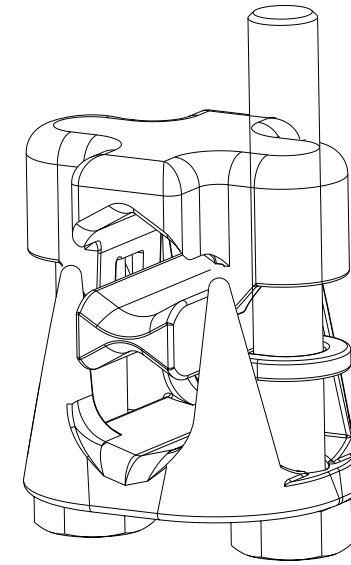
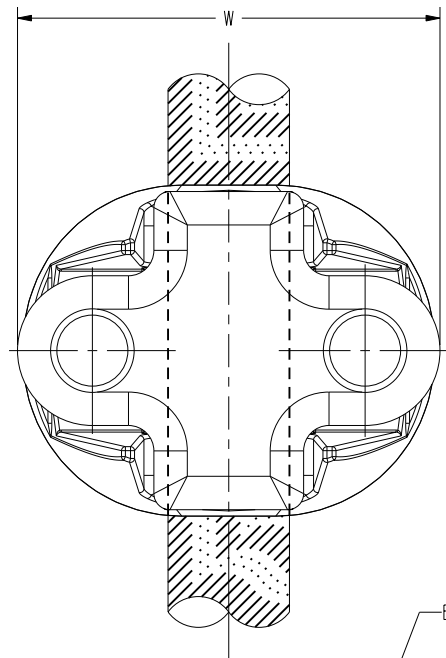
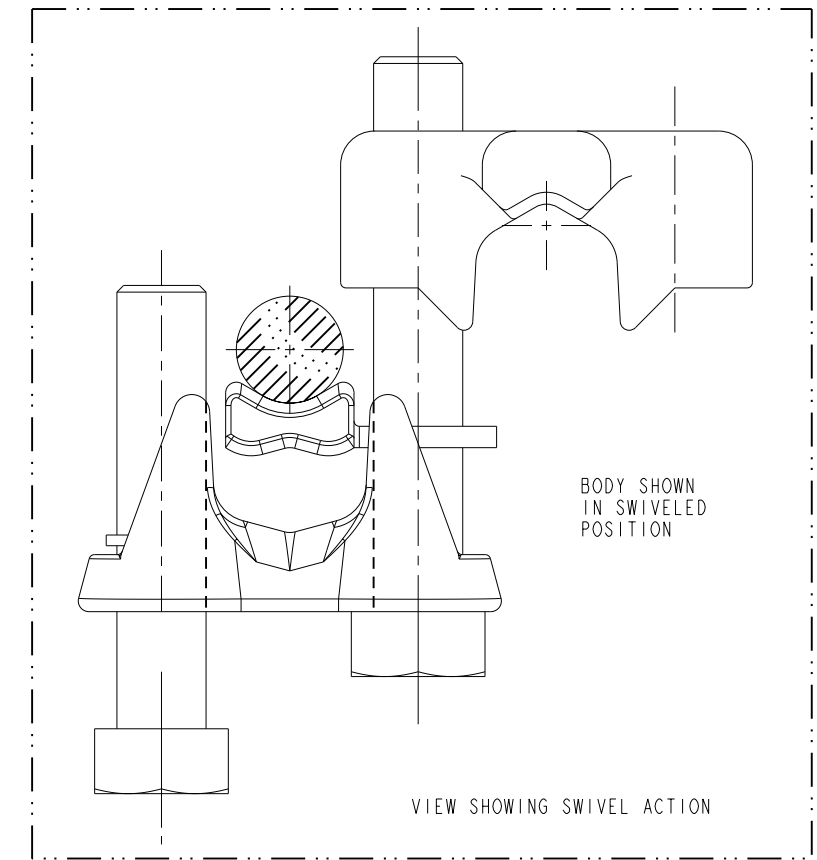
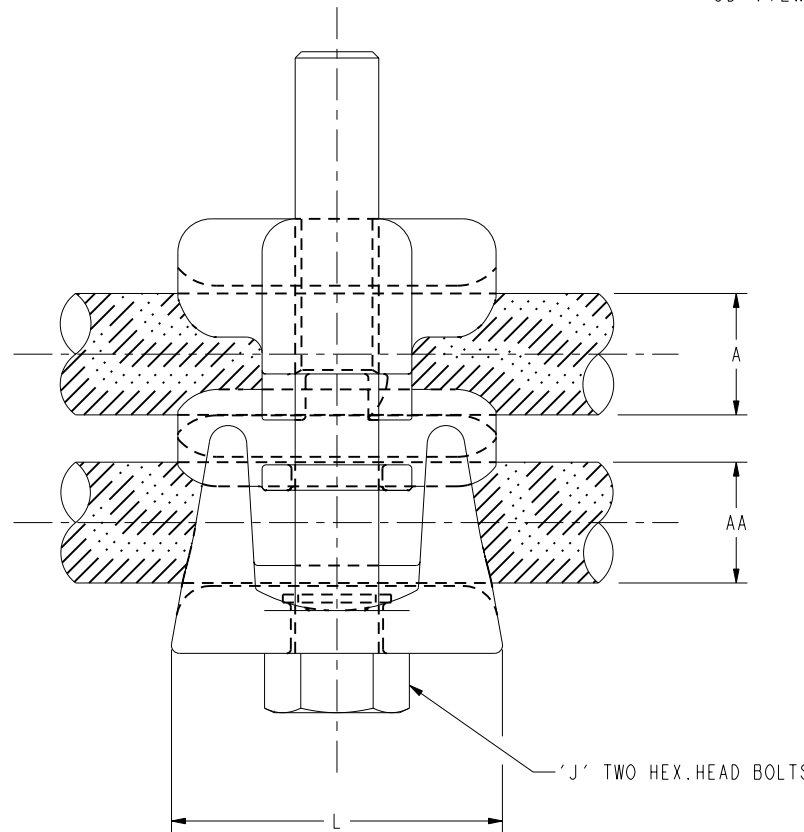
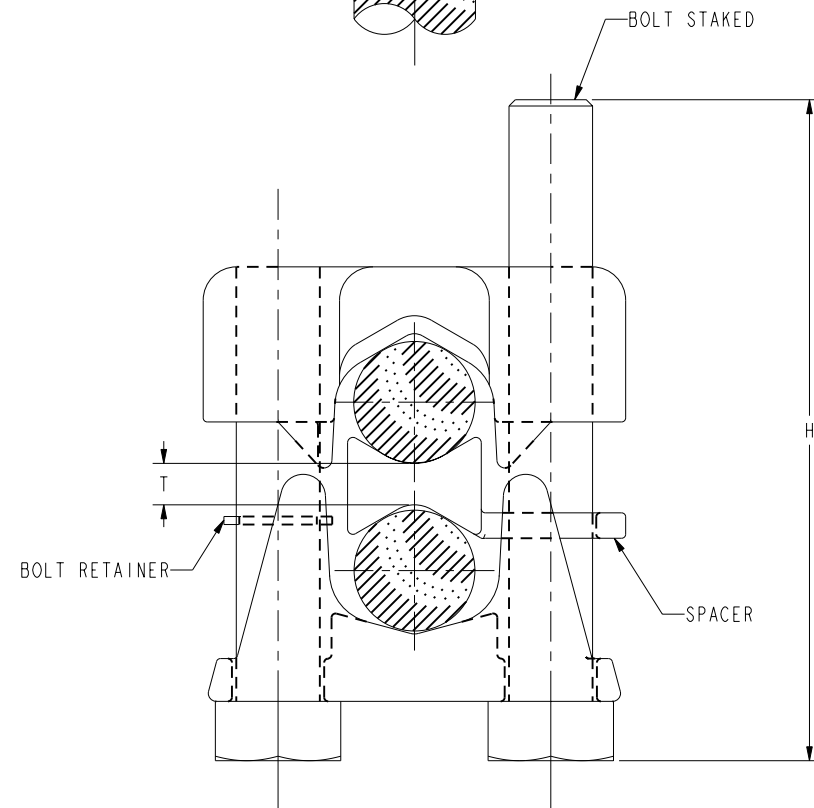


DRAWING NO.  
SD063282-01

REV	DATE	DESCRIPTION	ECO	BY	C'H'K.
A	07/29/2013 00:00:00 AM	ADDING TORQUE AND WRENCH SIZE INFORMATION.	32649	MK	NJS



3D VIEW



NOTES:

- 1 MATERIAL:  
CAST ALUMINUM ALLOY
- 2 IN ADDITION TO TYPES OF CONDUCTORS SHOWN ABOVE, THESE CONNECTORS CAN ACCOMMODATE ACSR CONDUCTORS OVER ARMOR ROD WITHIN THE DIAMETER RANGE INDICATED.
- 3 PREFERRED DESIGN, FOR ALTERNATE DESIGN SEE SD25465.
- 4 SCRATCH BRUSH CONNECTOR CONTACT SURFACE DRY, THEN APPLY PENETROX™ A. PENETROX™ CAN BE PURCHASED FROM BURNDY LLC, IN CANS OR PLASTIC SQUEEZE BOTTLES.

TO ORDER BURNDY® PRODUCTS CALL  
 UNITED STATES  
 1-800-346-4175 (LONDONDERRY, NH)  
 CANADA:  
 1-800-361-6975 (QUEBEC)  
 1-800-387-6487 (ALL OTHER PROVINCES)  
 FOR PRODUCT INFO: <http://www.burndy.com>

OKLIP-ALUM		SCALE: 1:1
ITEM NO:	SEE TABLE	
CAT. NO:	SEE TABLE	
DRAWN BY:	M KATHIR 10/07/13	DRAWING NO SD063282-01
CHECKER:	S JAYAKUMAR 10/07/13	
DSN APPVL:	W ZAHLMAN 07/30/13	REV A
MFG APPVL:	-- --	
QA APPVL:	J BRODEUR 08/01/13	
MKT APPVL:	J HALL 07/30/13	
PROJ #:	---	
DOCUMENT TYPE:	Sales	
REL LEVEL:	Released	

REFERENCE: FA63062

REV: PE0200

DRAWING NO.  
SD063282-01

7

6

5

4

3

2

1

ITEM NO.	CATALOG NO.	COPPER CABLE		RANGE OF CONDUCTORS ACCOMMODATED ALUMINUM CABLE, STEEL REINFORCED (ACSR)		ALL ALUMINUM CABLE	
		RUN "A"	TAP "AA"	RUN "A"	TAP "AA"	RUN "A"	TAP "AA"
118098	KVS26A	#1 SOL (.289 [7] DIA.) - 2/0 STR (.419 [11] DIA.)	#10 STR (.116 [3] DIA.) -2/0 STR (.419 [11] DIA.)	#4 (.257 [7] DIA.) -2/0 (.447 [11] DIA.)	#6 (.198 [5] DIA.) -2/0 (.447 [11] DIA.)	#2 (.292 [7] DIA.) -2/0 (.419 [11] DIA.)	#10 STR (.116 [3] DIA.) -2/0 STR (.419 [11] DIA.)
118148	KVS28A	2/0 SOL (.365 [9] DIA.) -250 Kcmil (.575 [15] DIA.)	#10 STR (.116 [3] DIA.) -250 Kcmil (.575 [15] DIA.)	1/0 (.358 [9] DIA.) -4/0 (.563 [14] DIA.)	#6 (.198 [5] DIA.) -4/0 (.563 [14] DIA.)	1/0 (.373 [9] DIA.) -4/0 (.528 [13] DIA.)	#10 STR (.116 [3] DIA.) -4/0 (.528 [13] DIA.)
118198	KVS31A	250 Kcmil (.575 [15] DIA.) -350 Kcmil (.681 [17] DIA.)	#6 STR (.184 [5] DIA.) -350 Kcmil (.681 [17] DIA.)	4/0 (.563 [14] DIA.) -336.4 Kcmil (.721 [18] DIA.)	#6 (.198 [5] DIA.) -336.4 Kcmil (.721 [18] DIA.)	250 Kcmil (.575 [15] DIA.) -350 Kcmil (.681 [17] DIA.)	#6 STR (.184 [5] DIA.) -350 Kcmil (.681 [17] DIA.)
118248	KVS34A	400 Kcmil (.728 [18] DIA.) -500 Kcmil (.813 [21] DIA.)	#5 STR (.206 [5] DIA.) -500 Kcmil (.813 [21] DIA.)	336.4 Kcmil (.741 [19] DIA.) -397.5 Kcmil (.783 [20] DIA.)	#6 (.223 [6] DIA.) -397.5 Kcmil (.783 [20] DIA.)	400 Kcmil (.728 [18] DIA.) -500 Kcmil (.813 [21] DIA.)	#4 STR (.232 [6] DIA.) -500 Kcmil (.813 [21] DIA.)
118348	KVS40A	400 Kcmil (.728 [18] DIA.) -800 Kcmil (1.031 [26] DIA.)	3/0 STR (.470 [12] DIA.) -800 Kcmil (1.031 [26] DIA.)	338.4 Kcmil (.741 [19] DIA.) -715.5 Kcmil (1.036 [26] DIA.)	3/0 (.502 [13] DIA.) -715.5 Kcmil (1.036 [26] DIA.)	400 Kcmil (.728 [18] DIA.) -800 Kcmil (1.031 [26] DIA.)	3/0 STR (.470 [12] DIA.) -800 Kcmil (1.031 [26] DIA.)
118398	KVS44A	500 Kcmil (.813 [21] DIA.) -1000 Kcmil (1.152 [29] DIA.)	3/0 STR (.470 [12] DIA.) -1000 Kcmil (1.152 [29] DIA.)	397.5 Kcmil (.806 [20] DIA.) -900 Kcmil (1.162 [30] DIA.)	3/0 (.502 [13] DIA.) -900 Kcmil (1.162 [30] DIA.)	500 Kcmil (.813 [21] DIA.) -1000 Kcmil (1.152 [29] DIA.)	3/0 STR (.470 [12] DIA.) -1000 Kcmil (1.152 [29] DIA.)

ITEM NO.	CATALOG NO.	MIN. RUN DIA. "A"	MIN. TAP DIA. "AA"	MAX. RUN & TAP DIA.	H	J	L	T	W	WRENCH SIZE (CROSS-FLATS)	TORQUE IN-LB [Nm]
118098	KVS26A	.257 [7]	.116 [3]	.447 [11]	2.22 [56]	.312 [8]	1.22 [31]	.31 [8]	1.59 [40]	1/2 [13]	180 [20]
118148	KVS28A	.365 [9]	.116 [3]	.575 [15]	3.00 [76]	.375 [10]	1.62 [41]	.28 [7]	2.06 [52]	9/16 [14]	240 [27]
118198	KVS31A	.565 [14]	.184 [5]	.721 [18]	3.06 [78]	.500 [13]	1.91 [49]	.25 [6]	2.41 [61]	3/4 [19]	480 [54]
118248	KVS34A	.728 [18]	.206 [5]	.813 [21]	3.58 [91]	.500 [13]	2.28 [58]	.28 [7]	2.62 [67]	3/4 [19]	480 [54]
118348	KVS40A	.728 [18]	.470 [12]	1.036 [26]	4.06 [103]	.500 [13]	2.44 [62]	.28 [7]	2.84 [72]	3/4 [19]	480 [54]
118398	KVS44A	.806 [20]	.470 [12]	1.162 [30]	4.90 [124]	.625 [16]	2.50 [64]	.31 [8]	3.12 [79]	15/16 [24]	660 [75]

A

REV: PE0200

8

7

6

5

4

3

2

1

TO ORDER BURNDY® PRODUCTS CALL		OKLIP-ALUM	
UNITED STATES 1-800-346-4175 (LONDONDERRY, NH)		ITEM NO: SEE TABLE	CAT. NO: SEE TABLE
CANADA: 1-800-361-6975 (QUEBEC) 1-800-387-6487 (ALL OTHER PROVINCES)		DRAWN BY: M KATHIR 10/07/13	CHECKER: S JAYAKUMAR 10/07/13
FOR PRODUCT INFO: <a href="http://www.burndy.com">http://www.burndy.com</a>		DSN APPVL: W ZAHLMAN 07/30/13	MFG APPVL: -- --
		QA APPVL: J BRODEUR 08/01/13	MKT APPVL: J HALL 07/30/13
		PROJ #:	SCALE: 1:1
		SIZE: D	DRAWING NO: SD063282-01
		DOCUMENT TYPE: Sales	REV: A
		REL LEVEL: Released	SHEET 2 OF 2

REV	DATE	DESCRIPTION	ECO	BY	C'H'K'
A	07/29/2013 00:00:00 AM	ADDING TORQUE AND WRENCH SIZE INFORMATION.	32649	MK	NJS