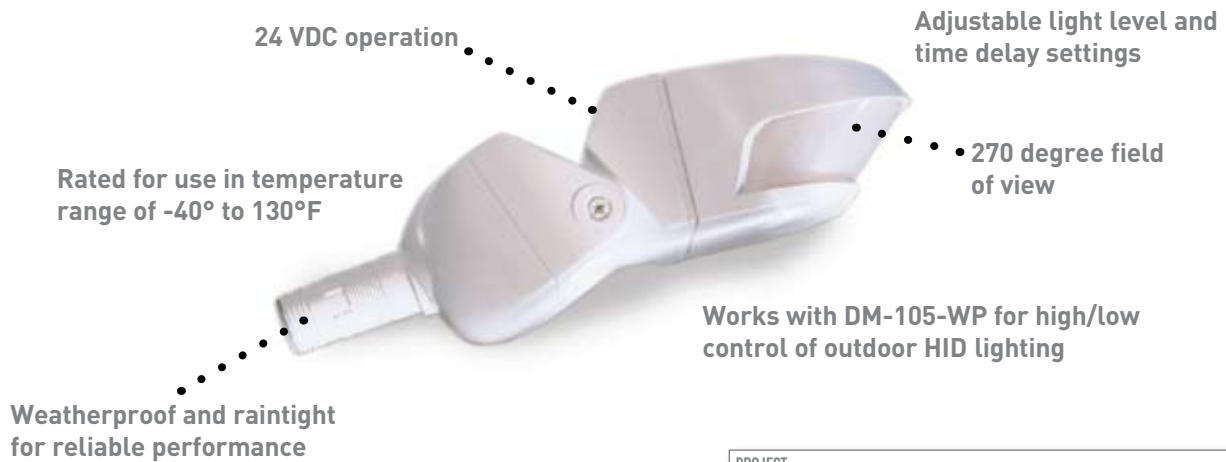


EW Low Voltage Outdoor Motion Sensor



PROJECT
LOCATION/TYPE

Product Overview

Description

WattStopper's EW outdoor motion sensors provide occupancy based control of outdoor lighting. Raintight and rated for -40°F to 130°F, EW sensors perform reliably in all weather conditions.

Operation

EW sensors operate at 24 VDC and are mounted onto a standard, outdoor junction box. Utilizing advanced passive infrared (PIR) technology, the sensors detect the difference between infrared energy in motion and the background space to turn lighting on when a person or vehicle enters the coverage area. After the area is vacated and the time delay elapses, lighting automatically turns off. The EW's dual PIR detectors and three level lens increase the detection density as well as the accuracy of motion detection.

Applications

The low voltage EW sensors are ideal to use in conjunction with WattStopper DM-105-WP outdoor HID control module. Here, the EW allows the outdoor HID lighting to switch between high and low based on motion detection. Applications include walkways, parking lots, dock lighting and warehouses. When used with a power pack, the low voltage EW also provides an outdoor lighting control solution for areas where line voltage is not available or where the load is too large for a single line voltage sensor to handle.

Features

- Sensors can be mounted on walls, eaves, or ceilings for installation convenience
- 270° coverage pattern
- Front rotates for easy coverage adjustment
- Precision, double-shot tooling with internal silicon gaskets prevents water and dust contamination
- Optional override-ON to turn lights on remotely for the length of the time delay
- User-adjustable time delay from 12 seconds to 16 minutes
- Adjustable light level setting allows users to set the level at which lighting will turn on upon occupancy
- ASIC enhances reliability and helps to eliminate false triggers
- Pulse Count Processing eliminates false triggers and provide RFI and EMI immunity
- Includes hardware for mounting sensor to standard 4" round outdoor junction box

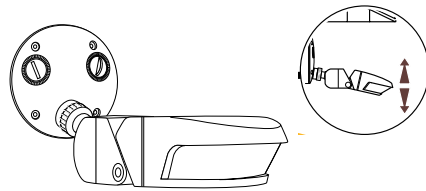


Specifications

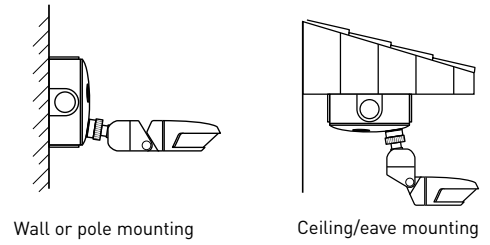
- Operating temperature range -40°F to +130°F
- UL 773A rated raintight
- 24 VDC operation
- 270° coverage
- Adjustable light level of 0.5 to 200 footcandles (5.4 - 2,152.8 lux)
- 1/2" threaded nipple fits standard NEMA weatherproof fixture fitting
- Sensor dimensions: 6.7" x 3.2" x 2.2" (170mm x 80mm x 55mm)
- UL and cUL listed
- Five year warranty

Wiring & Installation

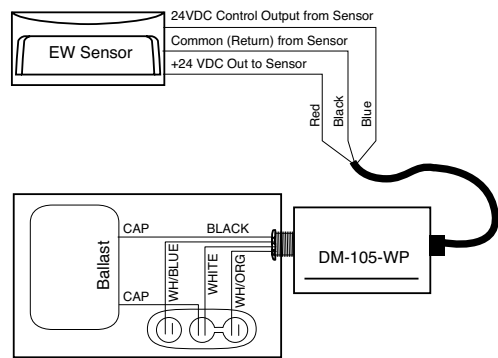
Installation & Positioning



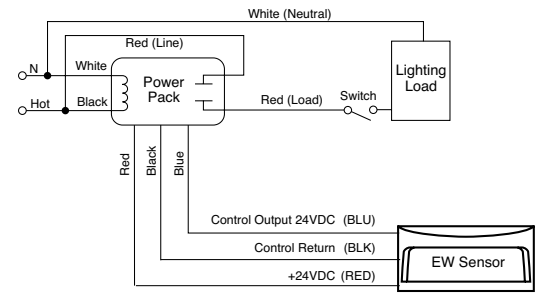
Mounting Diagrams



EW Wiring with DM-105-WP HID Control

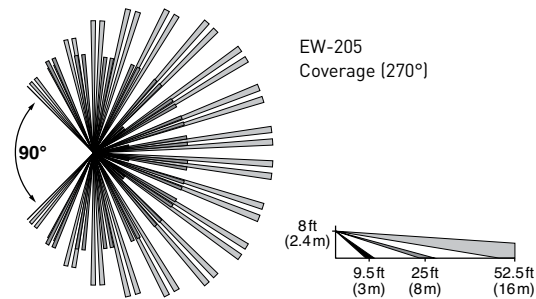


EW and Power Pack Wiring



Coverage

Coverage Pattern



Ordering Information

Catalog No.	Color	Voltage	Current	Coverage
<input type="checkbox"/> EW-205-24-W	Arctic white	24 VDC	7 mA	270°
<input type="checkbox"/> EW-205-24-G	Arch. grey	24 VDC	7 mA	270°