



► Model A

# General Alarm Electro-Mechanical Siren

Model A is a general-purpose electro-mechanical siren that produces a distinctive sound and tonal quality for industrial applications. It has a high maximum pitch which provides excellent contrast to industrial ambient noise. Introduced in 1918, Model A is still used today in many rugged and extreme environments and applications.

The fractional horsepower motor on Model A drives a ported aluminum rotor within the specially designed stator to produce a unique sound. A small internal fan cools the motor during operation. The recommended duty cycle is five minutes on/five minutes off.

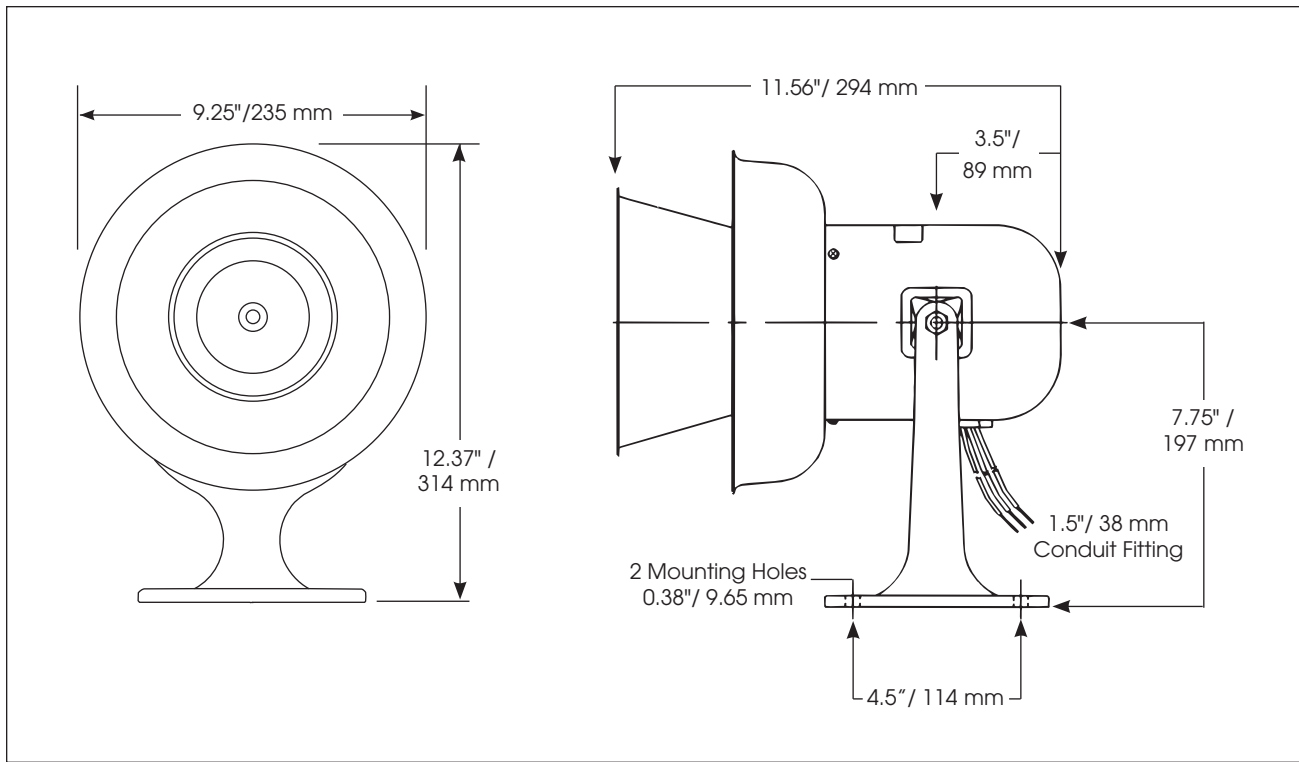
The Model A's metal housing is sealed with red powder coat for an attractive appearance and superior corrosion-resistance. The swivel mount bracket accommodates wall and surface mount installations.

## FEATURES

- Available with 120VAC/DC universal motor
- Rugged, durable and corrosion-resistant
- Maintenance-free
- Produces 103 dBa @ 10' (113 dBa @ 1m)
- Type 3R enclosure
- CSA certified

MODEL	VOLTAGE	OPERATING CURRENT	DECIBELS		FREQUENCY
			10'	1M	
<b>A-120</b>	120VAC/DC	1.9 amps	103	113	1060Hz

## General Alarm Electro-Mechanical Siren (A)



### SPECIFICATIONS

Voltages:	120VAC/DC	
Motor:	Universal	
Net Weight:	9.0 lbs	4.1 kg
Shipping Weight:	11.6 lbs	5.3 kg
Width:	9.25"	235.0 mm
Length:	11.56"	294.0 mm
Height:	12.37"	314.0 mm

### HOW TO ORDER

**Specify Model:**

**A-120** – Siren, 120VAC/DC, electro-mechanical

### REPLACEMENT PARTS

Description	Part Number
Motor and Rotor Service Kit	K8118052A