

T900 SERIES

PHOTOELECTRIC & 7 DAY CONTROL COMBO
DIFFERENT SCHEDULES EACH DAY
RESERVE POWER STANDARD
2 & 3 CIRCUIT CONTROL CENTERS

APPLICATIONS

- Parking lot lighting
- HVAC
- Display lighting
- Security lighting
- Lighted signage
- Storefront lighting



Optional "E" cover



Model 2101
supplied with unit.

FEATURES

SCHEDULING:

CIRCUIT 1: ON automatically at dusk, OFF at individual preset times each day, including skipping days when desired. Unit can be set to turn ON before dawn for early morning lighting.

CIRCUIT 2: ON at dusk, OFF at dawn automatically, daily.

CIRCUIT 3: Individual daily ON and OFF settings at desired times, including skipping any desired day or days Minimum ON is setting 1 hour with a minimum OFF setting of 2 hours. Minimum 8 hours between 2 OFF settings. 7 day calendar dial will accommodate up to 2 pairs of ON-OFF trippers per day – 7 pairs are supplied.

SKIP-A-DAY: Omit operations on any day.

MANUAL BY-PASS SWITCHES: Single pole, 20 Amps – one per circuit. Factory pre-wired to terminal strip. ON/OFF/AUTO positions for each circuit is independent – will not disturb automatic settings.

RESERVE POWER: Standard feature on all models keep dial on time up to 24 hours during power outage.

OPTIONAL ENCLOSURES: Contact factory for available options and lead time.

CAT. NO.	UPC CODE	INPUT SUPPLY (VAC) 60Hz	OUTPUT CONTACTS	ENCLOSURE TYPE
T920L	41033	120	2 SPDT	Metal Indoor NEMA 1
T930L	41055	120	3 SPDT	Metal Indoor NEMA 1
Replacement Trippers		#P69 for 7 pairs of ON/OFF trippers.		
Replacement Motor		#36 (120V)		
Replacement Bypass Switch		#66061		

TYPE	VOLTAGE (VAC)	CONTACT RATING
General Purpose	120/277	20A
Motor	120 240	1HP 2HP

NOTE: All models are designed to control a contactor circuit and are not recommended for direct switching of most lighting loads.

SPECIFICATIONS

INPUT VOLTAGE: 120, 60 Hz

TIMING ACCURACY: Line frequency.

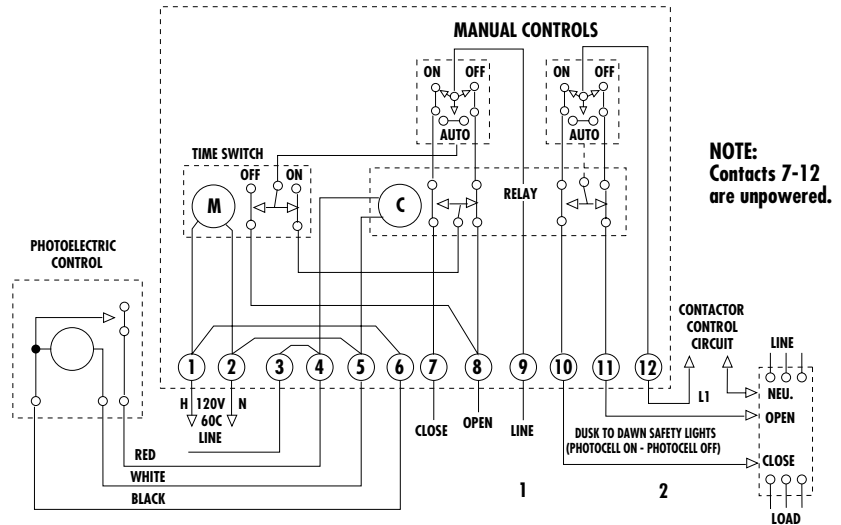
TERMINAL RANGE: #8 - #14AWG.

OPERATING TEMPERATURE:
-40° to 165°F (-40° to +74°C).

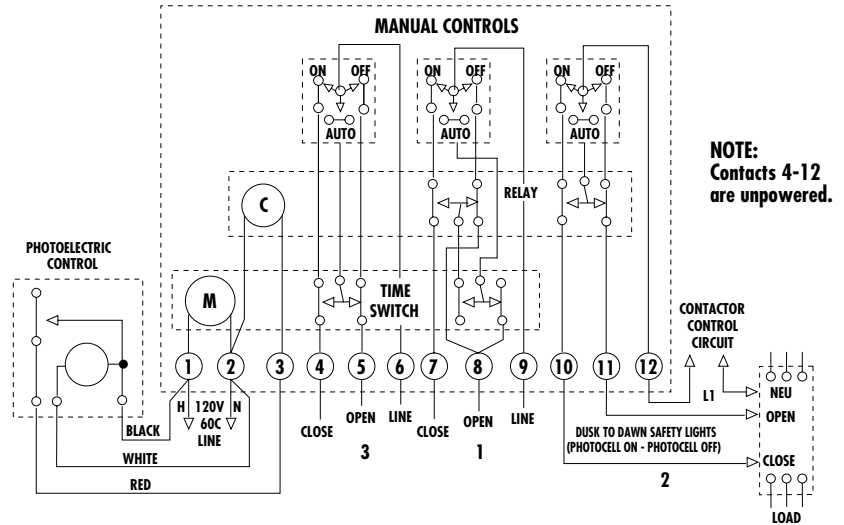
POWER CONSUMPTION:
5 watts maximum.

ENCLOSURE: Indoor NEMA 1 Metal with lockable hasp. (See pages 589-593 for dimensions).

T920L ONLY CIRCUITS 1 AND 2 ARE INCLUDED IN T920L



T930L ALL 3 CIRCUITS ARE INCLUDED IN T930L



NOTE 1: All models designed to control mechanically-held and magnetic contactors, when wired in accordance with manufacturers recommendations. Contacts are unpowered control circuits rated for 24-277V contactor coils. See notes on wiring schematics.

NOTE 2: For momentary Contact of contactor coils, use TORK Model SMC-3D, in our Digital Controls Catalog.