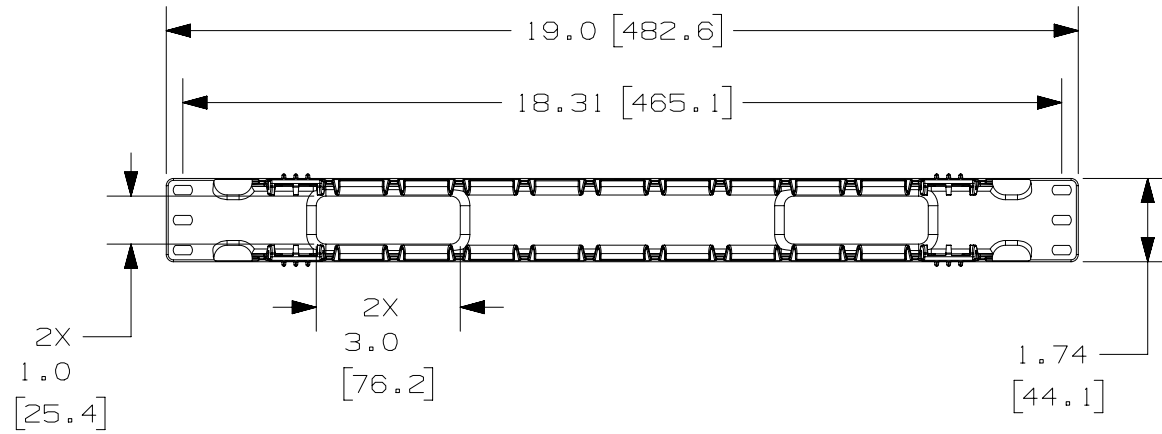
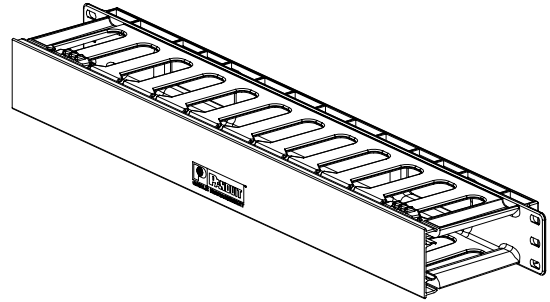
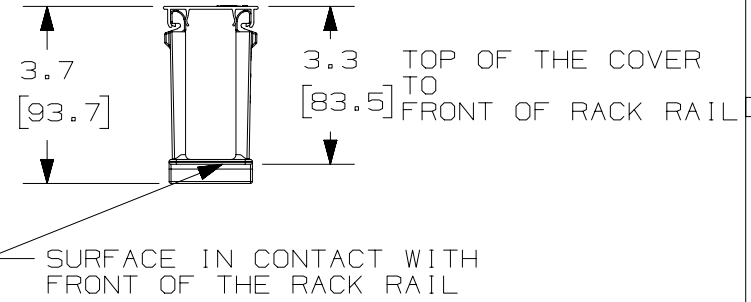
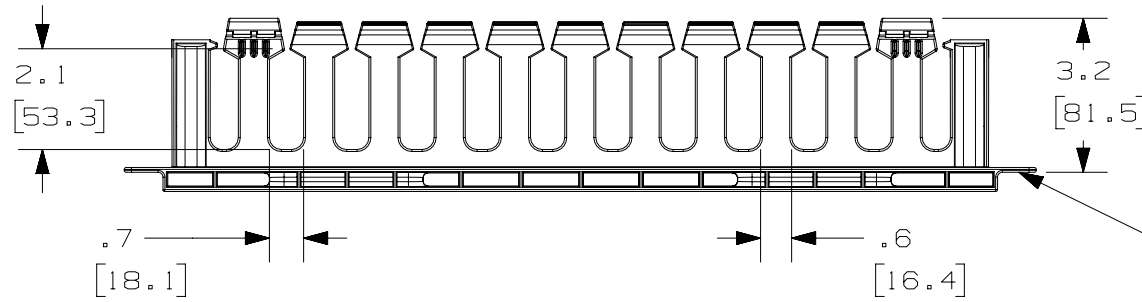


THIS COPY IS PROVIDED ON A RESTRICTED BASIS AND IS NOT TO BE USED IN ANY WAY DETRIMENTAL TO THE INTERESTS OF PANDUIT CORP.



PANDUIT P/N	WEIGHT
WMPFSE	.9 LBS/EACH 408 g/EACH

- NOTES:
- DESIGNED FOR MOUNTING ON 19" EIA RACKS.
 - COMPONENTS:
1- MANAGER
1- 17" X 2.0" DUAL HINGED COVER
 - 4- #12-24 x 1/2" SCREWS
 - DIMENSIONS IN PARENTHESES ARE METRIC.



TITLE		WMPFSE HORIZONTAL MANAGER	
CUSTOMER DRAWING			
ITEM REVISION NAME	V10101FS/08	PANDUIT	
DATASET FILE NAME	V10101FS_DC/08A		
UNLESS OTHERWISE SPECIFIED, DIMENSIONAL TOLERANCES ARE: IN (mm)		MATERIAL: ABS	
THIRD ANGLE PROJECTION		DRAWING NUMBER: V10101FS-DC	
DRAWN BY	DATE	CHK	SCALE
JDWE	12-18-02	MECA	NONE
SHT 1 OF 1		SIZE A	

REV	DATE	BY	CHK	APR	DESCRIPTION	ECN
08A	11-29-17	TWV	JEFK	JEFK	REMOVED PART NUMBER WMPFSE-E	V10101FS-DC
07A	10-19-16	TWV	BAME	BAME	UPDATED VIEWS	V10101FS-DC
06A	3-26-15	TWV	MACA	KRKE	BOM ADJUSTMENT; REVISED NOTES.	V10101FS-DC

D10100DA/15